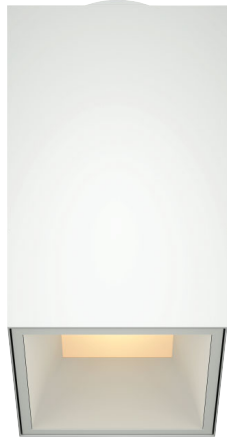


BETA 6QA Surface Mount



**WARNING – PLEASE READ ALL INSTRUCTIONS PRIOR TO INSTALLATION
READ AND FOLLOW ALL WARNINGS AND INSTRUCTIONS BEFORE INSTALLING OR MAINTAINING THIS PRODUCT.
TURN OFF POWER PRIOR TO ANY WORK ON THE SYSTEM OR PRODUCT.
DO NOT INSTALL DAMAGED PRODUCT.**

Installing, wiring, and maintenance must be done by qualified persons or a certified electrician in accordance with all local and National Electrical Codes.

Warranty is voided in case of unauthorized modifications and/or improper use.

Save these instructions. Use as reference when service or maintenance is performed.

CAUTION – Do not install any fixture assembly closer than 6 inches (15.24 cm) from any combustible material.

Refer to product label for voltage requirements and properly ground fixture in accordance to all local and national electrical codes.

If product supports optional dimming, refer to product label for dimming requirements.

Suitable for dry locations only.

MOUNTING CANOPY COMPATIBLE WITH 4" OCTAGONAL JUNCTION BOXES ONLY.

⚠️ WARNING ⚠️

- To avoid possible electrical shock, before installing light fixtures, disconnect power by turning off the circuit breakers both to the outlet box and to its associated wall switch location. If you cannot lock the circuit breakers in the off position, securely fasten a prominent warning device, such as a tag, to the service panel.
- Verify that supply voltage is correct by comparing it with the luminaire label information.
- Make all electrical and ground connections in the accordance with the National Electrical Code (NEC) and any applicable local code requirements.
- Wait for fixture and driver to cool before servicing and performing maintenance.

⚠️ CAUTION ⚠️

- All wiring must comply with national and local electrical codes and ANSI/NFPA 70. If you are unfamiliar with wiring, consult a qualified electrician.
- PPE Personal Protective Equipment such as gloves and safety glasses should always be used when installing, maintaining or servicing.
- Risk of fire. Keep combustible material away from fixtures.

⚠️ ADVERTENCIA ⚠️

- Para evitar un choque eléctrico, antes de instalar luminarias, desconecte la alimentación apagando los interruptores de circuito en el panel de servicio y en las paredes. Si no es posible bloquear los interruptores en la posición de apagado, sujete una etiqueta de seguridad en el panel de servicio.
- Compruebe que la tensión de alimentación es correcta comparándola con la información en la etiqueta de la luminaria.
- Haga todas las conexiones eléctricas y puesta a tierra de acuerdo con el código eléctrico nacional (NEC) y los requisitos del código local aplicable.
- Espere hasta que la luminaria y el controlador se enfrien antes de empezar el servicio y mantenimiento.

⚠️ PRECAUCION ⚠️

- Todo el cableado debe cumplir con los códigos eléctricos nacionales y locales y ANSI/NFPA 70. Si no está familiarizado con el cableado, consulte a un electricista.
- Al instalar, mantener o reparar, siempre se debe utilizar equipo de protección personal como guantes y lentes de seguridad
- Riesgo de incendio. Mantenga los materiales combustibles lejos de las luminarias.

⚠️ AVERTISSEMENT ⚠️

- Pour éviter les chocs, avant d'installer des appareils d'éclairage, coupez l'alimentation en désactivant les disjoncteurs et l'emplacement du commutateur mural. Si vous ne pouvez pas verrouiller les disjoncteurs en position d'arrêt, fixer un avertissement sur le panneau de service.
- Vérifiez que la tension d'alimentation est correcte en le comparant avec les informations d'étiquette de luminaire.
- Effectuer tous les raccordements électriques et mise à la terre dans la conformité avec le Code électrique National (NEC) et des exigences du code local applicable.
- Laisser suffisamment de temps pour l'appareil et pilote refroidir avant d'effectuer l'entretien et la maintenance.

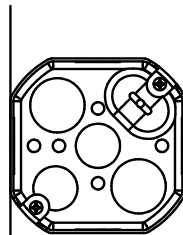
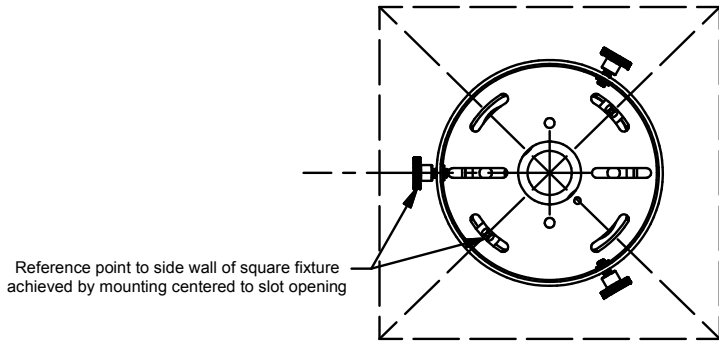
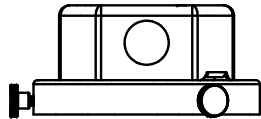
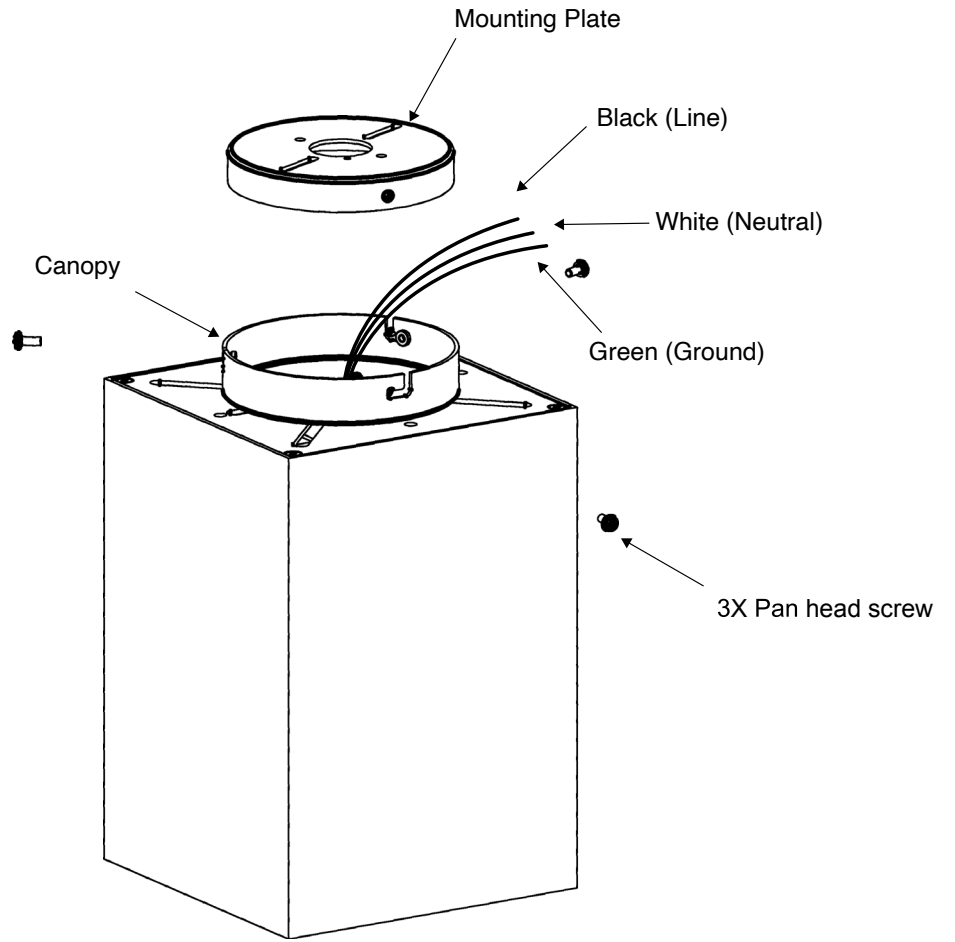
⚠️ MIS EN GARDE ⚠️

- Tout le câblage doit être effectué conformément aux codes électriques locaux et nationaux et ANSI/NFPA 70. Si vous êtes peu familier avec câblage, vous devez utiliser un électricien qualifié.
- Équipement de protection personnelle comme des gants et des lunettes de sécurité doivent être utilisés en tout temps lors de l'installation, maintenance ou entretien.
- Risque d'incendie. Garder les matières combustibles loin de luminaires.

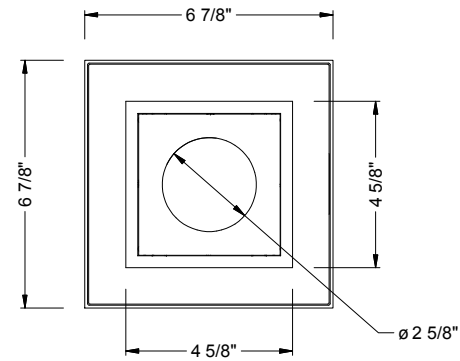
INSTRUCTIONS FOR USE

De-energize circuit before installation.

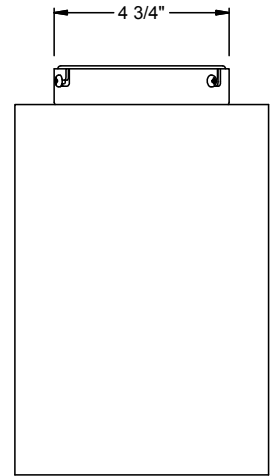
1. Canopy to be mounted only on 4" octagonal j - boxes.
2. Feed wiring through threaded center of mounting bracket. Secure mounting bracket to a J-Box (J-Box and mounting hardware supplied by others) for use with 3-1/2" and 4" octagonal or square recessed junction boxes with 2-3/4" mounting hole spacing. (Appropriate device ring cover may be required and to be supplied by others.)
3. Raise product and connect primary voltage supply to the line and neutral leads of the fixture. Refer to product label for required input voltage.
4. Properly ground mounting bracket in accordance with all local and national electrical codes.
5. Secure fixture to mounting bracket via the supplied mounting screws.
6. Energize circuit and test for proper operation.



J-box must be installed flat and parallel to installation direction to maintain alignment with multiple fixtures

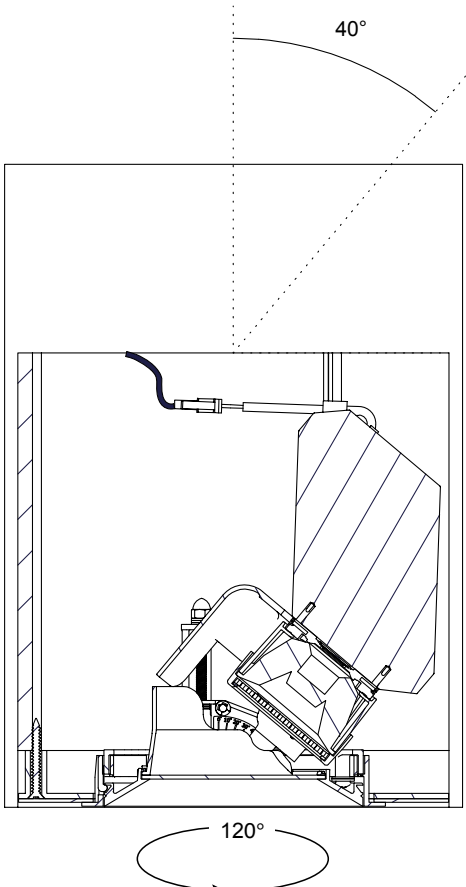
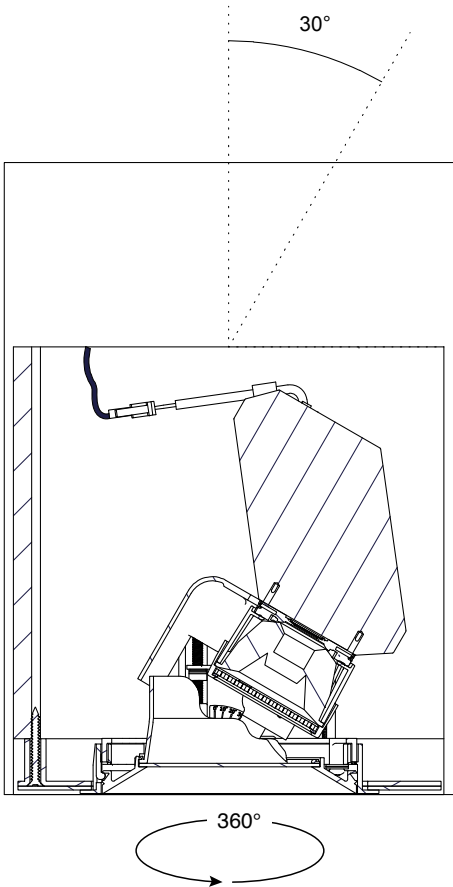


BETA 6RA



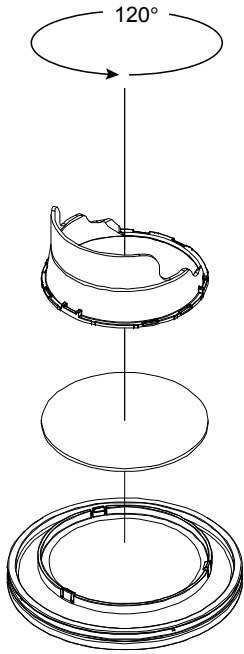
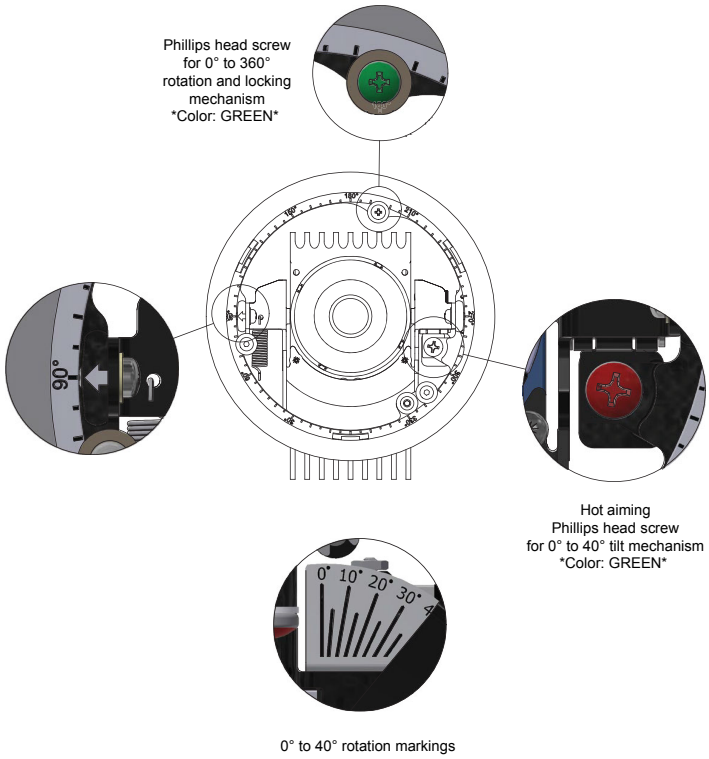
**SURFACE MOUNT
ELV1 / DIM10 / CAS**

1. Carefully remove bezel from LED Module Assembly. Use hand to pull bezel away from LED Module Assembly. Sharp or flat objects not recommended as they can damage the bezel or snap locks. For bezel with lens, a suction cup is provided to remove bezel for future servicing.
2. Raise or lower beam tilt angle by adjusting the red screw using a Phillips screwdriver. For fine tuning rotational adjustment, loosen the green rotation lock screw, reposition as desired, and secure the green rotation lock screw.
3. Align bezel with plenum cover and carefully insert bezel into LED Module Assembly. Press firmly until bezel snaps into place.
4. Energize circuit and test for proper operation.

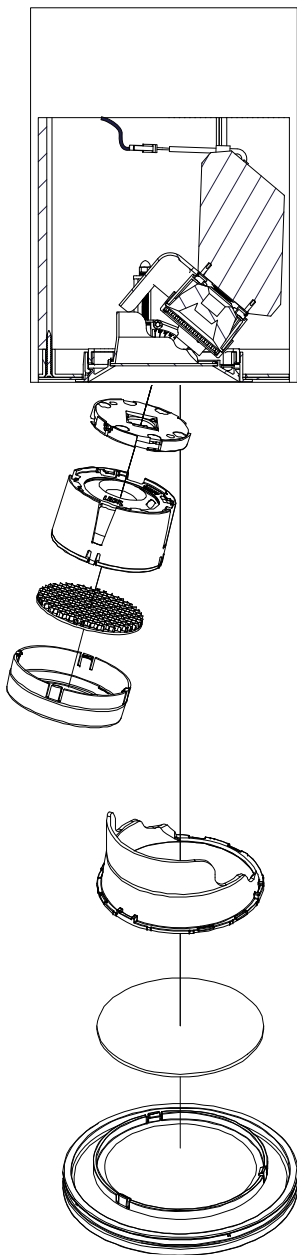


ADJUSTABLE FIXTURE INFO	
TILT	ROTATION
0° - 30°	360°
30° - 40°	160°

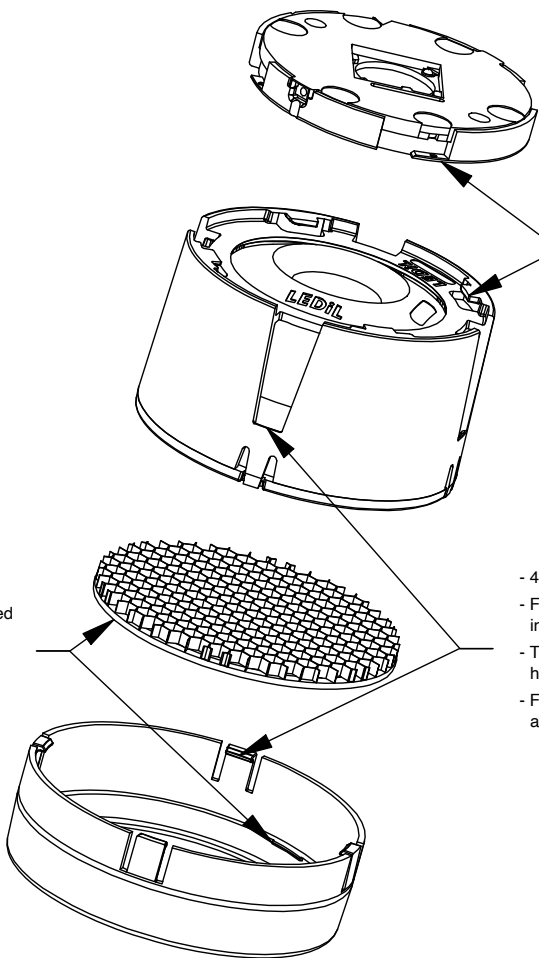
NOTE:
To achieve 0 - 40° tilt or 0 - 360° rotation, consult installation instructions.



INSTRUCTIONS FOR INSTALLING OPTIC, ACCESSORIES AND BEZEL

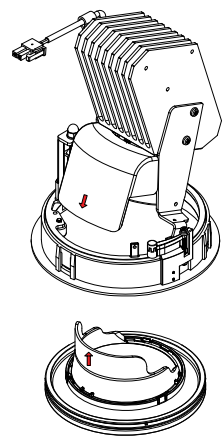


- Honeycomb / lens to be inserted in the accessory holder.
- Press fit inside the 4 tabs until you hear a click.



- 4 tab bayonet style to mount optic onto the LED holder.
- For installing align the 4 tabs of the optic to the 4 open area slots of the LED holder.
- Twist the optic clockwise, until you hear a click.
- For uninstallaing, twist the optic counter-clockwise until end and pull the optic down.

- 4 tab bayonet style to hold accessory holder onto the optic.
- For installing place the accessory holder into the optic until it bottom's out.
- Twist and align the 4 tabs of the accessory holder to the 4 slots of the optic.
- For removing, twist and pull down the accessory holder from the optic.



Align bezel with plenum cover