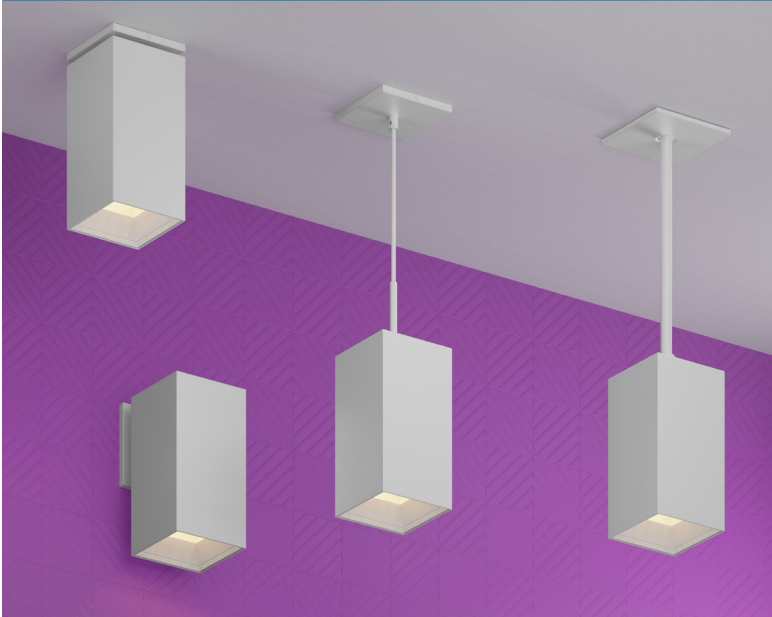


PROJECT INFORMATION		
JOB NAME		TYPE
ORDERING CODE		

## BETA 4

### 4" Square Tunable White



60° - 85° BEAM (Note: Specifications are subject to change without notice)		
18mm LUMINUS COB PERFORMANCE DATA		
LED LIGHT ENGINE	NOMINAL DELIVERED LUMENS	SYSTEM WATTAGE
10LM	920LM @35K/95CRI	13W
15LM	1320LM @35K/95CRI	18W
20LM	1780LM @35K/95CRI	23W
Notes	Delivered lumens based on WH85, 3500K (see page 2)	

65° - 85° BEAM (Note: Specifications are subject to change without notice)		
18mm NICHIA COB PERFORMANCE DATA		
LED LIGHT ENGINE	NOMINAL DELIVERED LUMENS	SYSTEM WATTAGE
10LM	950LM @35K/80CRI	13W
15LM	1300LM @35K/80CRI	15W
20LM	1600LM @35K/80CRI	18W
25LM	2400LM @35K/80CRI	24W
Notes	Delivered lumens based on WH85, 3500K (see page 3)	



CASAMBI

#### FEATURES

- Seamless extrusion with powder coated finish for clean aesthetics
- Thermally optimized for longevity
- 60° - 85° beam spread
- UGR < 19
- Micro slim canopy options at 1/4"-3/8" depth plus 1/2" diameter stem.
- Multiple mounting, glare control options, trims and finishes available

#### DIMMING AND CONTROLS

- Flicker free 0-10V dimming to 1%
- DMX dimming to 1%
- Casambi bluetooth dimming to 1%

#### CONSTRUCTION

- Extruded aluminum housing
- Lexan™ (PC) Optimal connectivity for wireless control signal
- Machined aluminum canopy
- SVT pendant cord

#### LED

- Luminus tunable white COB: 95 CRI, R9 > 70: SDCM = 4-step MacAdam Ellipse; Lumen Maintenance: L70 > 54,000 hrs
- Nichia tunable white COB: 80 CRI, R9 > 0: SDCM = 3-step MacAdam Ellipse; Lumen Maintenance: L90 > 33,000 hrs

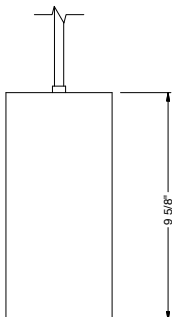
#### LISTING

- ULus Listed to UL1598 & UL2108; cUL Listed to CSA C22.2 #250.0
- Suitable for dry and damp locations
- 5 Year Limited warranty

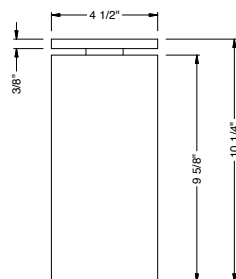
#### ELECTRICAL

- 120V-277V
- Power factor ≥ 0.9
- 2kV driver input surge protection
- Battery Backups not offered
- Emergency Generator/Inverter/Controls-Override Device supplied by other

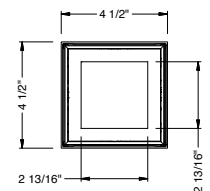
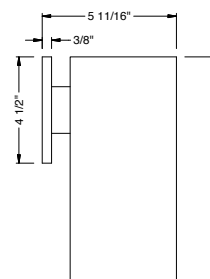
#### PENDANT



#### SURFACE MOUNT



#### WALL MOUNT



# alphabet

PROJECT INFORMATION		
JOB NAME		TYPE
ORDERING CODE		

ORDERING CODE		
SERIES	BETA	BETA
TYPE	4Q	4" square
LED	TW	tunable white (Luminus)
DELIVERED LUMENS	10LM	920 lm
	15LM	1320 lm
	20LM	1780 lm
Standard Configuration: 3500K WH85		
Calculated Delivered Lumens = [Delivered Lumen Value] x [CCT Multiplier] x [Reflector Multiplier]		
CCT	1840 <sup>1</sup> 1800K to 4000K tunable white	
	CCT	1800K   2000K   2400K   2700K   3000K   3500K   4000K
	CCT MULTIPLIER FOR LUMEN OUTPUT	0.67   0.74   0.8   0.85   0.88   0.95   1.01
	EML RATIO	0.21   0.33   0.45   0.53   0.59   0.67   0.73
CCT	2765 <sup>1</sup> 2700K to 6500K tunable white	
	CCT	2700K   3000K   3500K   4000K   5000K   5700K   6500K
	CCT MULTIPLIER FOR LUMEN OUTPUT	0.91   0.98   1   0.7   1   1.01   1.02
	EML RATIO	0.49   0.57   0.68   0.79   0.96   1.04   1.12
CRI	95	95 typical, 90 minimum
OPTIC & LM MULTIPLIER	HE60	60° high efficiency diffused lens (0.88)
	HE75	75° high efficiency diffused lens (0.95)
	D70	70° diffused with clear lens (0.92)
	WH85	85° brilliant white with clear lens (1.00)
FINISH	BK	black
	WH	white
	MC	matte chrome
BEZEL COLOR	BK	black (0.98)
	WH	white (1.00)
	MC	matte chrome (0.99)
	BZ	bronze (0.98)
	WT	wheat (0.99)

ORDERING CODE		
MOUNTING OPTIONS SEE PAGE 4	W	wall mount
	P	pendant, 108" flexible cord
	S	surface mount
	JCOV-S	conduit junction box cover with knockouts, surface
	RP	rigid pendant 4' stem with swivel stem/canopy
	RP5	rigid pendant 5' stem with swivel stem/canopy
	RP6	rigid pendant 6' stem with swivel stem/canopy
	RP8	rigid pendant 8' stem with swivel stem/canopy
	RP10	rigid pendant 10' stem with swivel stem/canopy
	RPF2 <sup>2</sup>	rigid pendant 2' with fixed stem/canopy
	RPF3 <sup>2</sup>	rigid pendant 3' with fixed stem/canopy
RPF4 <sup>2</sup>	rigid pendant 4' with fixed stem/canopy	
RPF6 <sup>2</sup>	rigid pendant 6' with fixed stem/canopy	
JCOV-XX	conduit junction box cover with knockouts, complete XX code with desired pendant mount	
VOLTAGE	UNV	120V-277V
	120	120V
DIMMING	DIM10 <sup>3</sup>	0-10V dimming to 1%
	DMX	DMX control, dimmable to 1% + Bluetooth commission for setting address
	CAS	Casambi Bluetooth control with flicker free 1.0% dimming
ELECTRICAL OPTIONS	EM7	emergency battery backup, 90 minutes at 7W to LED
	EM12 <sup>4</sup>	emergency battery backup, 90 minutes at 12W to LED
	EM10CA20	remote emergency battery backup, 90 minutes at 10W to LED, CA title 20

YOUR COMPLETED ORDERING CODE
Follow the steps to specify your fixture, example:
<b>BETA - 4Q - TW - 20LM - 2765 - 95 - WH85 - NL - WH - WH - P - UNV - CAS</b>

## NOTES

- Values shown are for reference only. Actual CCT may vary.
- Slim canopy with rigid stem connection shall be used in jurisdictions that DO NOT require light fixtures to freely swing in lateral directions, complying with local and national building codes.
- Requires 2 wall controllers (see wiring diagram).
- EM12 not available in 07LM.

\*EML = equivalent melanopic lux, to calculate EML, multiply the measured photopic lux by the EML Ratio for the given CCT.

\*Slim canopy with rigid stem connection shall be used in jurisdictions that DO NOT require light fixtures to freely swing in lateral directions, complying with local and national building codes.

\*RP mounting with swivel is recommended to be installed on a 4in square or 4in deep regress 2-1/8" octagonal junction box.

## BEZEL OPTIONS

### BEZEL COLORS



# alphabet

PROJECT INFORMATION		
JOB NAME		TYPE
ORDERING CODE		

ORDERING CODE		
SERIES	BETA	BETA
TYPE	4Q	4" square
LED	TW	tunable white (Nichia)
DELIVERED LUMENS	10LM	950 lm
	15LM	1300 lm
	20LM	1600 lm
	25LM	2400 lm
	Standard Configuration: 3500K WH85	
Calculated Delivered Lumens = [Delivered Lumen Value] x [CCT Multiplier] x [Reflector Multiplier]		
CCT	2750	2700K to 5000K tunable white
		CCT
		2700K
		3000K
	3500K	
	4000K	
	5000K	
	CCT MULTIPLIER FOR LUMEN OUTPUT	0.85
		0.88
		0.95
		1.01
		1.02
	EML RATIO	0.43
		0.51
		0.63
		0.69
		0.8
CRI	80	80 CRI
OPTIC & LM MULTIPLIER	HE65	65° high efficiency diffused lens (0.89)
	HE75	75° high efficiency diffused lens (0.87)
	HE85	85° high efficiency diffused lens (0.95)
	WH85	85° brilliant white with clear lens (1.00)
	D70	70° diffused with clear lens (0.91)
FINISH	BK	black
	WH	white
	MC	matte chrome
BEZEL COLOR	BK	black (0.98)
	WH	white (1.00)
	MC	matte chrome (0.99)
	BZ	bronze (0.98)
	WT	wheat (0.99)

ORDERING CODE		
MOUNTING OPTIONS SEE PAGE 4	W	wall mount
	P	pendant, 108" flexible cord
	S	surface mount
	JCOV-S	conduit junction box cover with knockouts, surface
	RP	rigid pendant 4' stem with swivel stem/canopy
	RP5	rigid pendant 5' stem with swivel stem/canopy
	RP6	rigid pendant 6' stem with swivel stem/canopy
	RP8	rigid pendant 8' stem with swivel stem/canopy
	RP10	rigid pendant 10' stem with swivel stem/canopy
	RPF2	rigid pendant 2' with fixed stem/canopy
	RPF3	rigid pendant 3' with fixed stem/canopy
RPF4	rigid pendant 4' with fixed stem/canopy	
RPF6	rigid pendant 6' with fixed stem/canopy	
JCOV-XX <sup>1</sup>	conduit junction box cover with knockouts, complete XX code with desired pendant mount	
VOLTAGE	UNV	120V-277V
	120	120V
DIMMING	DIM10 <sup>2</sup>	0-10V dimming to 1%
	DMX	DMX control, dimmable to 1% + Bluetooth commission for setting address
	CAS	Casambi Bluetooth control with flicker free 1.0% dimming

YOUR COMPLETED ORDERING CODE	
Follow the steps to specify your fixture, example:	
<b>BETA - 4Q - TW - 20LM - 2750 - 80 - WH85 - NL - WH - WH - P - UNV - CAS</b>	

## NOTES

- JCOV available with RPF mounting.
- Requires 2 wall controllers (see wiring diagram).

\*EML = equivalent melanopic lux, to calculate EML, multiply the measured photopic lux by the EML Ratio for the given CCT.

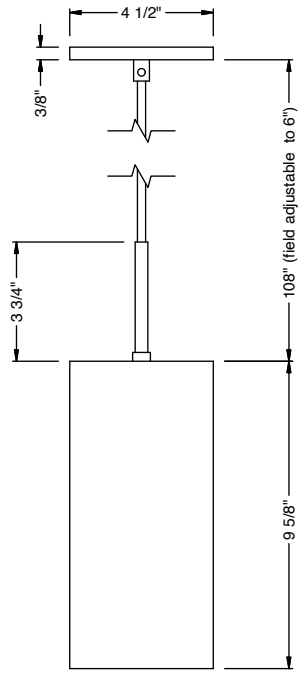
\*Slim canopy with rigid stem connection shall be used in jurisdictions that DO NOT require light fixtures to freely swing in lateral directions, complying with local and national building codes.

\*RP mounting with swivel is recommended to be installed on a 4in square or 4in deep regress 2-1/8" octagonal junction box.

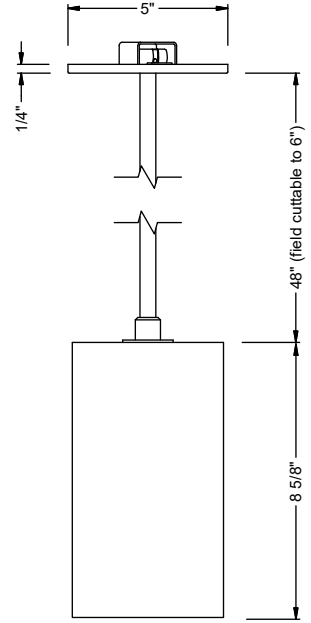
# alphabet

PROJECT INFORMATION		
JOB NAME		TYPE
ORDERING CODE		

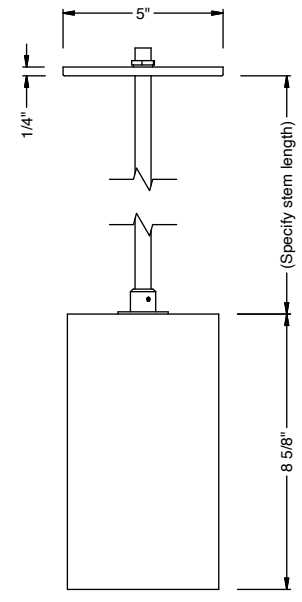
## MOUNTING OPTIONS



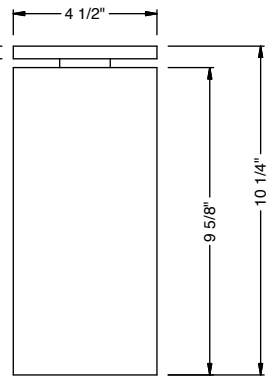
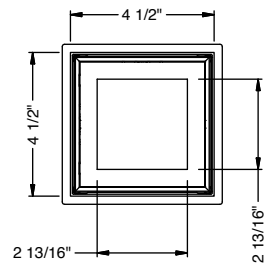
PENDANT  
CAS



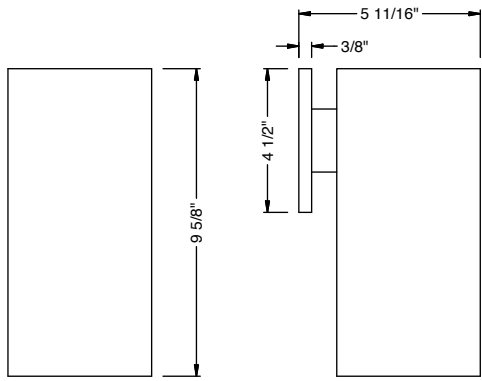
RP SWIVEL  
DIM10 / CAS



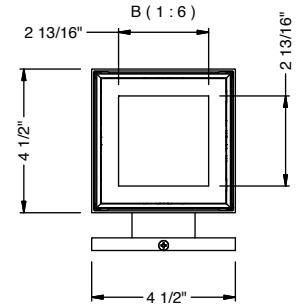
RP FIXED  
DIM10 / CAS



SURFACE MOUNT  
DIM10 / DMX / CAS



WALL MOUNT  
DIM10 / DMX / CAS



011011

PROJECT INFORMATION		
JOB NAME		TYPE
ORDERING CODE		

## BATTERY OPTIONS

### EMERGENCY BATTERY

IOTA's ILB battery backups are UL Listed LED emergency drivers that allow the same LED fixture to be used for both normal and emergency operation. In the event of a power failure, the ILB switches to the emergency mode and operates the existing fixture for 90 minutes. The unit contains a battery, charger, and converter circuit in a single can. The constant power design of the ILB maintains the output wattage to the LED array even as the system voltage diminishes. UL 924 Listed for U.S. and Canada. UL 1310 Certified, output class 2 compliant. Includes single-piece TBTS test switch and charge indicator accessory kit. For use with switched and unswitched fixtures, and includes two-wire universal AC input. Meets or exceeds all National Electric Code and Life Safety Code Emergency Lighting requirements. Rated for use in plenum, damp location, recessed type IC, and enclosed and gasketed luminaires.

### REMOTE TEST SWITCH

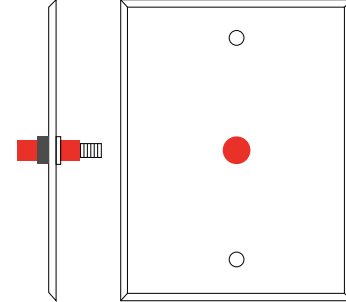
The remote test switch may be mounted adjacent to the LED Fixture by others.

### EMERGENCY BATTERY ACCESS

Above ceiling access is recommended for ease of service.

### REMOTE LOCATION

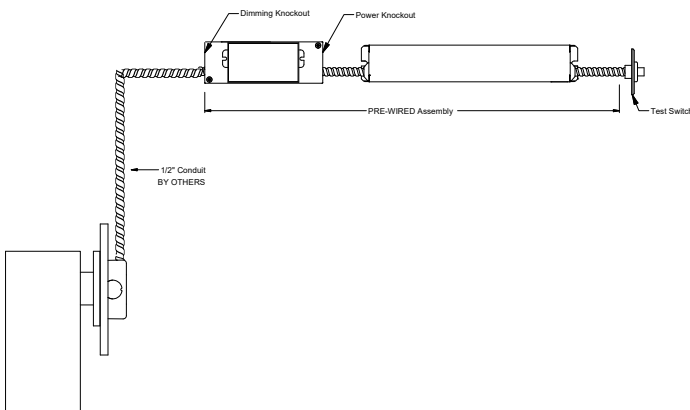
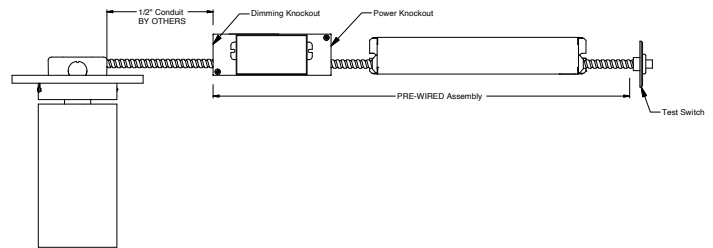
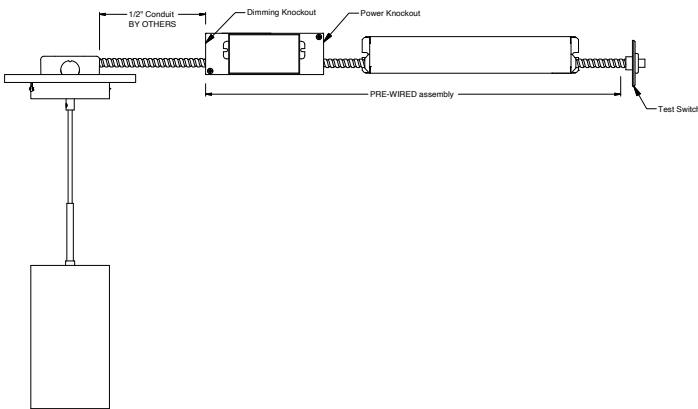
Maximum remote mounting distance of the emergency driver shall be 50 feet. Remote location wiring provided by others. Follow all local and national electric/building codes.



Remote Test Switch

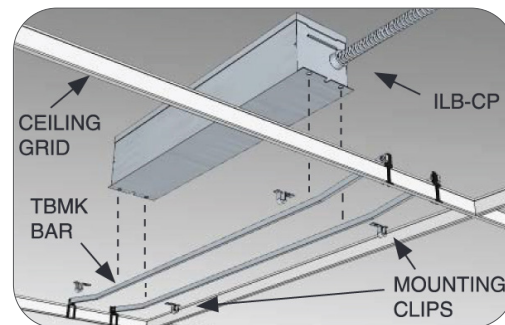
EM MODE OUTPUT (DELIVERED LUMENS)			
LUMEN ORDERING CODE	EM7	EM10	EM12
ALL OPTIONS (07LM TO 20LM)	500LM	650LM	850LM
Notes: Based on 35K, 95CRI			

### REMOTE BATTERY



### Accessory

76066 Optional T-Grid Mounting Kit<sup>1</sup>

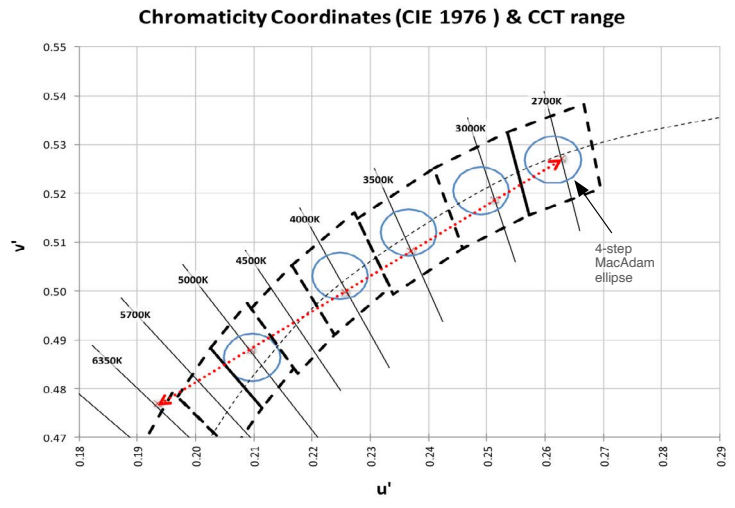


1. Can be used with any of the Emergency Battery Backups. Must be ordered as a separate line item.

PROJECT INFORMATION		
JOB NAME	TYPE	
ORDERING CODE		

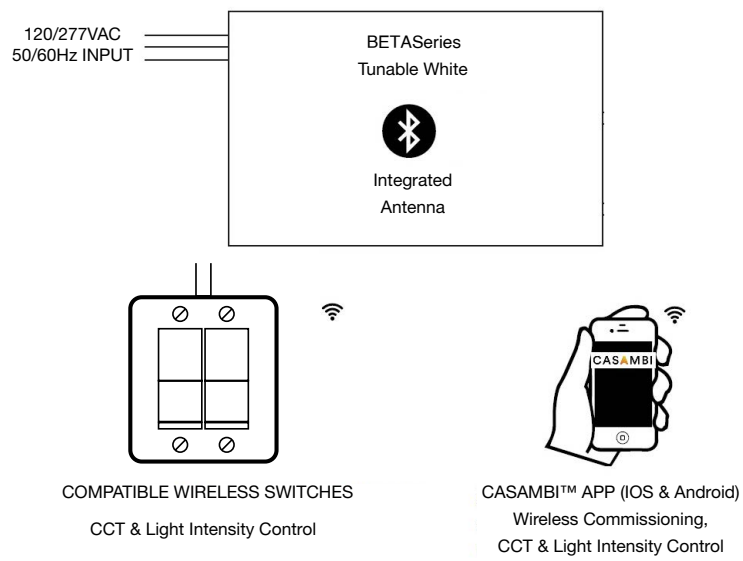
## TUNABLE WHITE

### LUMINUS 95CRI

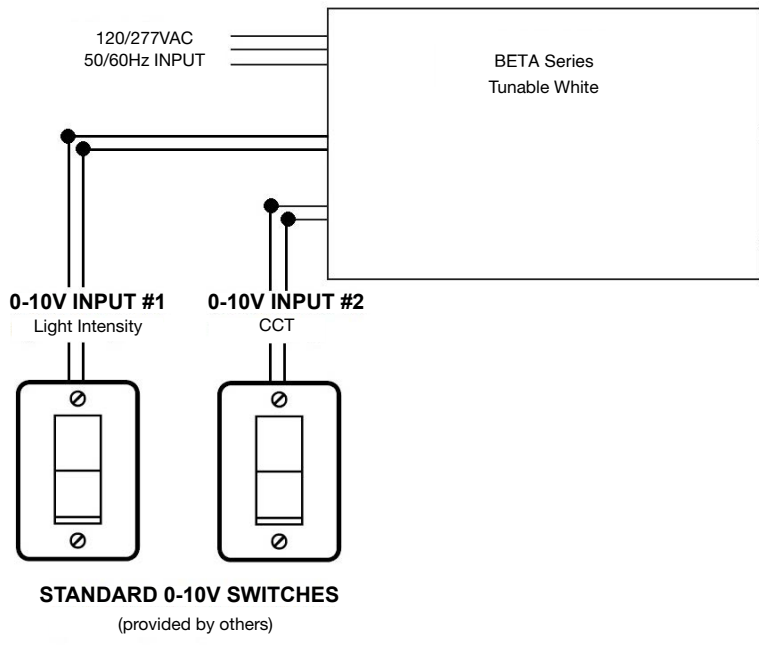


## WIRING DIAGRAMS

### “CAS” CASAMBI CONTROLS



### “DIM10” HARDWIRED 0-10V CONTROL



- NOTES**
- 1 Consult factory to order compatible wireless switches.