

alphabet

PROJECT INFORMATION		
JOB NAME		TYPE
ORDERING CODE		

BETA 4

4" Cylinder Deep Regress Warm Dim



15° - 30° BEAM		
(Note: Specifications are subject to change without notice)		
9mm DYNAMIC COB PERFORMANCE DATA		
LED LIGHT ENGINE	NOMINAL DELIVERED LUMENS	SYSTEM WATTAGE
10LM	890LM @30K/97CRI	13W
15LM	1190LM @30K/97CRI	19W
Notes	Delivered lumens based on 30D optic with no lens, (see page 2)	



FEATURES

- Seamless extrusion with painted finish for clean aesthetics
- Thermally optimized for longevity
- 15° - 35° beam spread
- UGR < 5
- Micro slim canopy option at 1/4"-3/8" depth plus 1/2" diameter stem.
- Multiple mounting, glare control options, trims and finishes available

LED

- Luminus Dim-to-warm COB: 97 CRI: SDCM = 3-step MacAdam Ellipse; Lumen Maintenance: L₇₀ > 54,000 hrs
- Dim to Warm from 3000K - 1800K.

DIMMING AND CONTROLS

- Flicker free 0-10V dimming to 1%
- Leading & trailing edge (Triac/ELV) dimming to 1%
- Lutron Hi-lume 2-Wire Eco System dimming to 1%
- Casambi bluetooth dimming to 1%

LISTING

- ULus Listed to UL1598 & UL2108; cUL Listed to CSA C22.2 #250.0
- Suitable for dry and damp locations
- Made in the USA - meets the requirements of the Buy American provision within the ARRA
- 5 Year Limited warranty

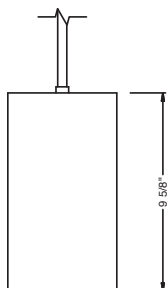
CONSTRUCTION

- Extruded aluminum housing
- Lexan™ (PC) Optimal connectivity for wireless control signal
- Machine aluminum canopy
- SVT pendant cord

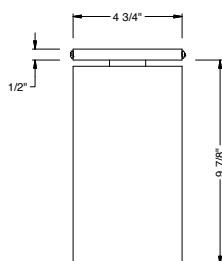
ELECTRICAL

- 120V-277V, 120 only Triac / ELV
- Power factory ≥ 0.9
- 2kV driver input surge protection
- Remote emergency test switch
- 7 W, 10W (T20 CEC) and 12W EM 90min battery

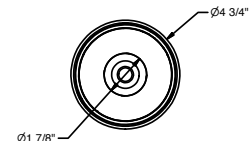
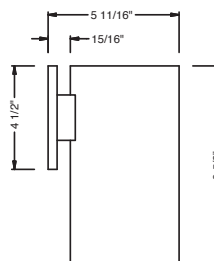
PENDANT



SURFACE MOUNT



WALL MOUNT



alphabet

PROJECT INFORMATION		
JOB NAME		TYPE
ORDERING CODE		

15°- 30° BEAM ORDERING CODE

SERIES	BETA	BETA					
TYPE	4RDR	4" round deep regress					
LED	WD	warm dim (Luminus)					
DELIVERED LUMENS	10LM	890 lm					
	15LM	1190 lm					
Standard Configuration: 3000K 30D NL							
Calculated Delivered Lumens = [Delivered Lumen Value] x [CCT Multiplier] x [Optic Multiplier]							
CCT	3018	3000K, dim to 1800K	CCT at Light Level (%LF)				
			%LF	30LM	20LM	15LM	10LM
			100%	3000	3000	3000	3000
			50%	3000	3000	3000	2800
			25%	2800	2800	2500	2300
10%	2200	2200	2000	1900			
5%	1800	1800	1800	1800			
CRI	97	97 CRI					
OPTIC & LM MULTIPLIER SEE PAGE 3	15D	15 degrees	(0.98)				
	25D	25 degrees	(0.95)				
	30D	30 degrees	(1.00)				
RECESSED LENS SEE PAGE 3	NL	no lens	(1.00)				
	DL	diffused lens	(0.88)				
	HET	high efficiency textured lens, similar to Solite™	(0.92)				
	SBL	smoothing beam lens	(0.92)				
	HCL	honeycomb louver	(0.80)				
FINISH SEE PAGE 3	BK	black					
	WH	white					
	MC	matte chrome					
BEZEL COLOR SEE PAGE 3	BK	black					
	WH	white					
	MC	matte chrome					
	DC	dark chrome, vacuum metalized					
	GN	gun metal, vacuum metalized					
	SA	specular, vacuum metalized					
	CU	copper, vacuum metalized					
	AU	gold, vacuum metalized					

15°- 30° BEAM ORDERING CODE

MOUNTING OPTIONS SEE PAGE 5	W	wall mount
	S	surface mount
	JCOV-S	conduit junction box cover with knockouts, surface
	P	pendant, 108" flexible cord
	RP	rigid pendant 4' stem with swivel stem/canopy
	RP5	rigid pendant 5' stem with swivel stem/canopy
	RP6	rigid pendant 6' stem with swivel stem/canopy
	RP8	rigid pendant 8' stem with swivel stem/canopy
	RP10	rigid pendant 10' stem with swivel stem/canopy
	RPF2	rigid pendant 2' with fixed stem/canopy
	RPF3	rigid pendant 3' with fixed stem/canopy
	RPF4	rigid pendant 4' with fixed stem/canopy
RPF6	rigid pendant 6' with fixed stem/canopy	
JCOV-XX¹	conduit junction box cover with knockouts, complete XX code with desired pendant mount	
VOLTAGE	UNV	120V-277V
DIMMING	DIM10	0-10V dimming to 1%
	LUTP	Lutron Hi-lume Premier Ecosystem dimming to 0.1%, Soft-on & Fade-to-Black
	ELV1²	leading & trailing edge (Triac/ELV) dimming to 1%
	CAS	Casambi Bluetooth control with flicker free 1% dimming
ELECTRICAL OPTIONS	EM7	remote emergency battery backup, 90 minutes at 7 watts to LED
	EM12	remote emergency battery backup, 90 minutes at 12 watts to LED
	EM10CA20	remote emergency battery backup, 90 minutes at 10W to LED, CA title 20

YOUR COMPLETED ORDERING CODE

Follow the steps to specify your fixture, example:
BETA - 4RDR - WD - 15LM - 3018 - 97 - 30D - SBL - WH - WH - S - UNV - DIM10

NOTES

- JCOV not available with RP mounting.
- ELV1 available in 120V.

*EML = equivalent melanopic lux, to calculate EML, multiply the measured photopic lux by the EML Ratio for the given CCT.

*Slim canopy with rigid stem connection shall be used in jurisdictions that DO NOT require light fixtures to freely swing in lateral directions, complying with local and national building codes.

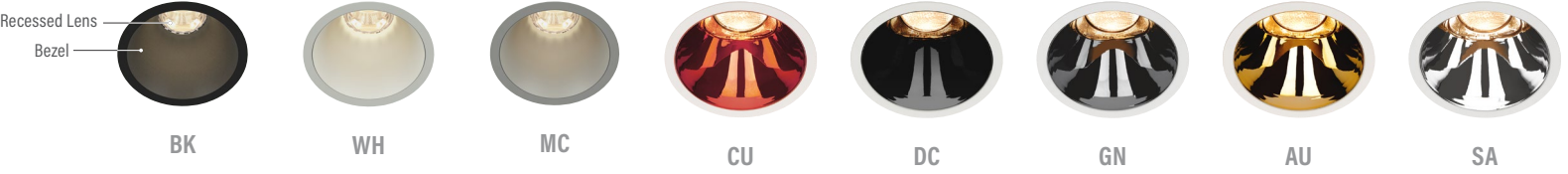
*RP mounting with swivel is recommended to be installed on a 4in square or 4in deep regress 2-1/8" octagonal junction box.

alphabet

PROJECT INFORMATION		
JOB NAME		TYPE
ORDERING CODE		

TRIM OPTIONS

BEZEL COLORS



OPTICAL OPTIONS

- Calculations based on 15LM fixtures, SA bezel, unless otherwise noted
- UGR calculation based on CIE 117-1995; room size: 4H X 8H, reflectance: 70/50/20;

TIR OPTIC ACCESSORY

Honeycomb Louver



OPTIC	BEAM ANGLE	UGR
15D	17.2	≤5
25D	23.2	≤5
30D	30.2	7.3

NL

No Lens



OPTIC	BEAM ANGLE	UGR
15D	17.4	≤5
25D	24.2	≤5
30D	31.7	≤5

HET

High Efficiency Textured Lens



OPTIC	BEAM ANGLE	UGR
15D	22.4	≤5
25D	27.6	8
30D	32.7	8.1

DL*

Diffused Lens



OPTIC	BEAM ANGLE	UGR
15D	39.1	13.4
25D	42	15.3
30D	44.6	15.9

* White Bezel

SBL

Smoothing Beam Lens



OPTIC	BEAM ANGLE	UGR
15D	17.9	≤5
25D	24.8	≤5
30D	32	5.3

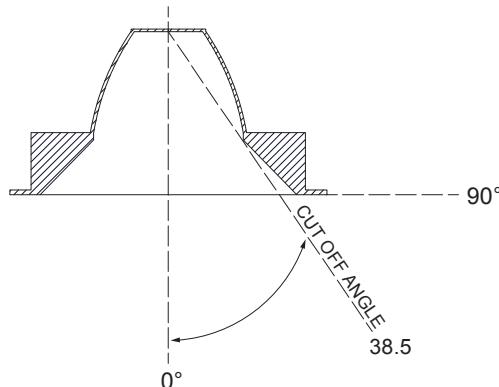
GLARE CONTROL

CUT-OFF ANGLE

Visual comfort is achieved with a lower cut-off angle due to improved glare control. The smaller the cut-off angle, the easier it is on the eye.

Alphabet downlights have been thoughtfully engineered to eliminate glare while still delivering functional illumination.

- Cutoff angle is 38.5 degrees;



alphabet

PROJECT INFORMATION		
JOB NAME		TYPE
ORDERING CODE		

PHOTOMETRIC DATA

CDM09

15LM CCT MULTIPLIERS		
	80CRI	90CRI
2700K	0.96	0.81
3000K	1	0.85
3500K	1.03	0.88
4000K	1.06	0.91
FC Formula = CBCP / Distance ²		

**15D
17.4° NO LENS**

Throw Distance (ft)	Beam Diameter (ft)	Illuminance at Center (fc)
6	1.8	243
8	2.4	137
10	3.1	87
12	3.7	61
14	4.3	45

WATTS: 19	LPW: 61.1
LUMENS: 1161	CCT: 3000K
INTENSITY	
DEGREE	CANDELA
0	8743
5	6874
15	1687
25	249
35	11
45	1.4

**25D
24.2° NO LENS**

Throw Distance (ft)	Beam Diameter (ft)	Illuminance at Center (fc)
6	2.6	145
8	3.4	82
10	4.3	52
12	5.1	36
14	6	27

WATTS: 19	LPW: 59.6
LUMENS: 1132	CCT: 3000K
INTENSITY	
DEGREE	CANDELA
0	5228
5	4570
15	1873
25	396
35	31
45	2.6

**30D
31.7° NO LENS**

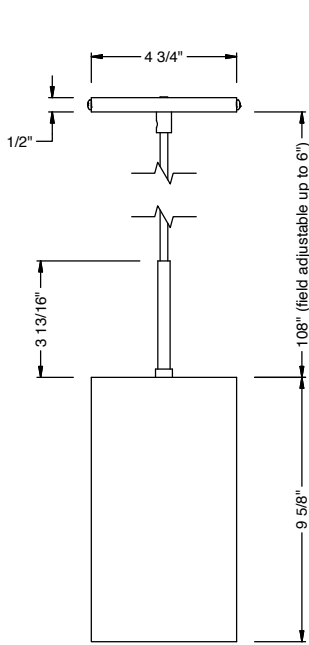
Throw Distance (ft)	Beam Diameter (ft)	Illuminance at Center (fc)
6	3.4	108
8	4.5	61
10	5.7	39
12	6.8	27
14	7.9	20

WATTS: 19	LPW: 62.5
LUMENS: 1188	CCT: 3000K
INTENSITY	
DEGREE	CANDELA
0	3881
5	3585
15	2097
25	555
35	26
45	2.7

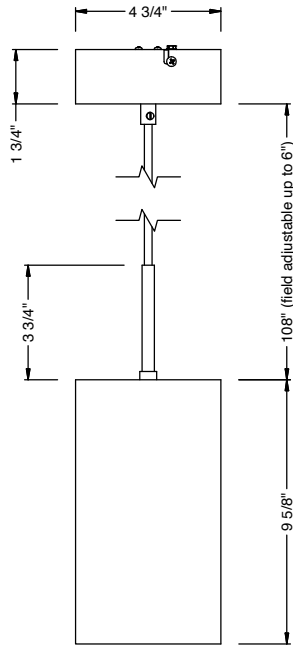
alphabet

PROJECT INFORMATION		
JOB NAME		TYPE
ORDERING CODE		

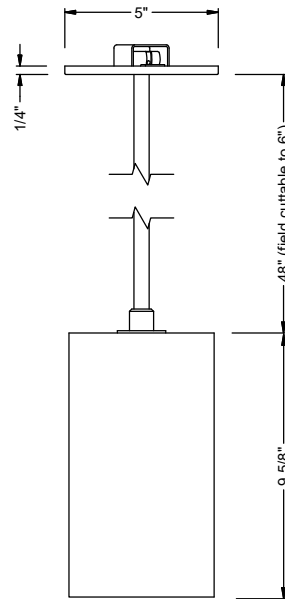
MOUNTING OPTIONS



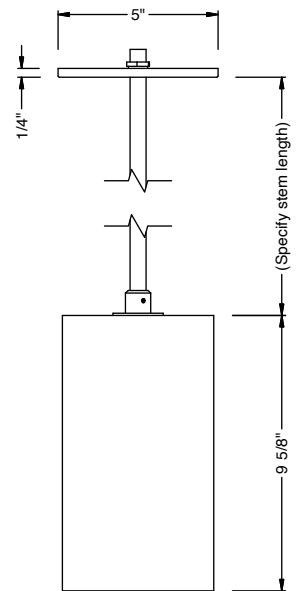
PENDANT
ELV1 / CAS



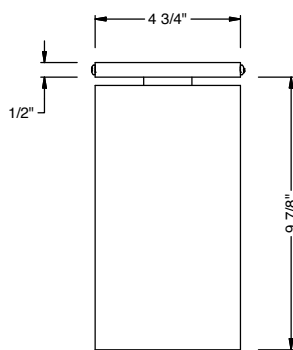
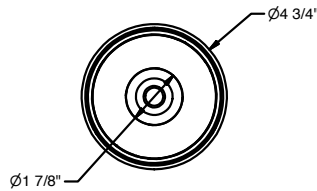
PENDANT
DIM10 / LUTP



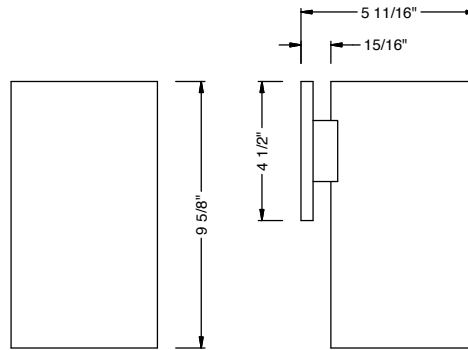
RP SWIVEL
DIM10 / ELV1 / CAS



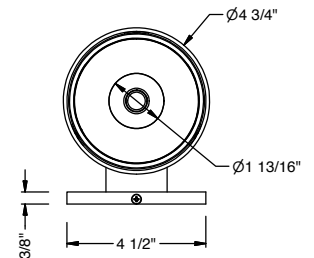
RP FIXED
DIM10 / ELV1 / CAS



SURFACE MOUNT
DIM10 / ELV1 / LUTP / CAS



WALL MOUNT
DIM10 / ELV1 / LUTP / CAS



PROJECT INFORMATION		
JOB NAME		TYPE
ORDERING CODE		

BATTERY OPTIONS

EMERGENCY BATTERY

IOTA's ILB battery backups are UL Listed LED emergency drivers that allow the same LED fixture to be used for both normal and emergency operation. In the event of a power failure, the ILB switches to the emergency mode and operates the existing fixture for 90 minutes. The unit contains a battery, charger, and converter circuit in a single can. The constant power design of the ILB maintains the output wattage to the LED array even as the system voltage diminishes. UL 924 Listed for U.S. and Canada. UL 1310 Certified, output class 2 compliant. Includes single-piece TBTS test switch and charge indicator accessory kit. For use with switched and unswitched fixtures, and includes two-wire universal AC input. Meets or exceeds all National Electric Code and Life Safety Code Emergency Lighting requirements. Rated for use in plenum, damp location, recessed type IC, and enclosed and gasketed luminaires.

REMOTE TEST SWITCH

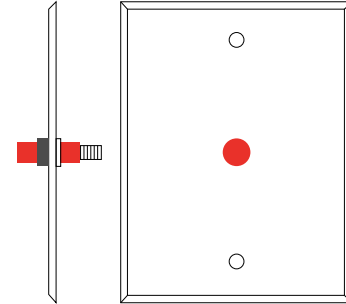
The remote test switch can be mounted adjacent to the LED Fixture by others.

EMERGENCY BATTERY ACCESS

Above ceiling access is recommended for ease of service.

REMOTE LOCATION

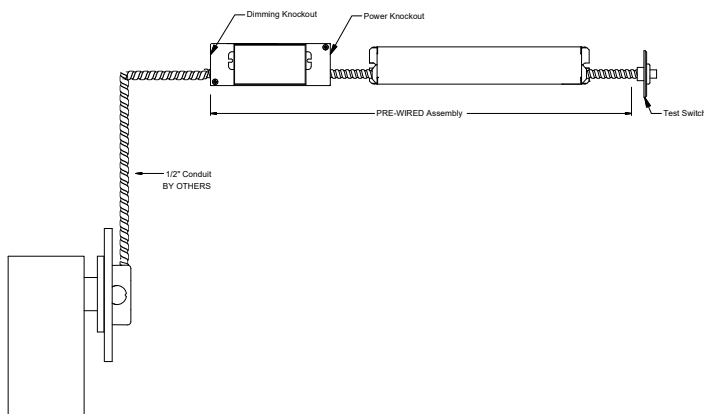
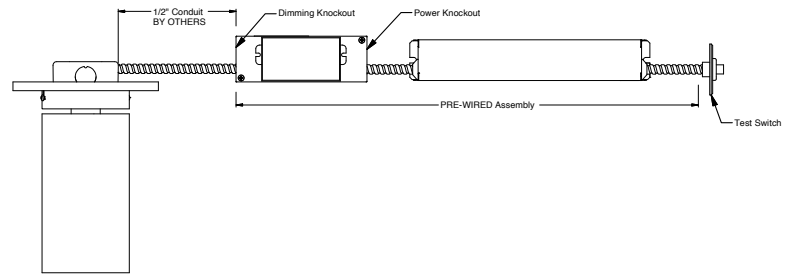
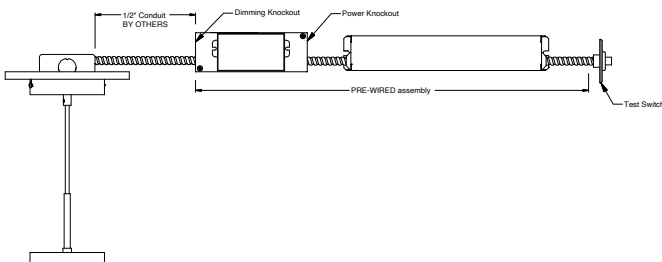
Maximum remote mounting distance of the emergency driver shall be 50 feet. Remote location wiring provided by others. Follow all local and national electric/building codes.



Remote Test Switch

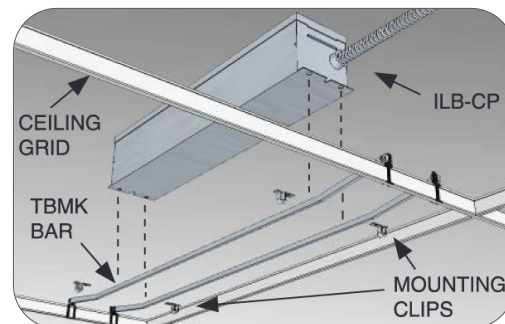
EM MODE OUTPUT (DELIVERED LUMENS)			
LUMEN ORDERING CODE	EM7	EM10	EM12
ALL OPTIONS (15LM)	520LM	710LM	810LM
Notes: Based on 30K, 97CRI			

REMOTE BATTERY



Accessory

76066 Optional T-Grid Mounting Kit¹



1. Can be used with any of the Emergency Battery Backups. Must be ordered as a separate line item.