

# BETA 3R, 4R & 6R Swivel Pendant



**WARNING – PLEASE READ ALL INSTRUCTIONS PRIOR TO INSTALLATION  
READ AND FOLLOW ALL WARNINGS AND INSTRUCTIONS BEFORE INSTALLING OR MAINTAINING THIS PRODUCT.  
TURN OFF POWER PRIOR TO ANY WORK ON THE SYSTEM OR PRODUCT.  
DO NOT INSTALL DAMAGED PRODUCT.**

Installing, wiring, and maintenance must be done by qualified persons or a certified electrician in accordance with all local and National Electrical Codes.

Warranty is voided in case of unauthorized modifications and/or improper use.

Save these instructions. Use as reference when service or maintenance is performed.

**CAUTION – Do not install any fixture assembly closer than 6 inches (15.24 cm) from any combustible material.**

Refer to product label for voltage requirements and properly ground fixture in accordance to all local and national electrical codes.

If product supports optional dimming, refer to product label for dimming requirements.

Suitable for dry and damp locations only.

**MOUNTING CANOPY COMPATIBLE WITH 4" OCTAGONAL JUNCTION BOXES ONLY. IF USING AN OCTAGONAL J-BOX, IT IS HIGHLY RECOMMENDED TO USE A DEEP DRAWN 2-1/8" DEPTH TO ALLOW FOR BUILDING WIRE DAISY CHAINING.**

## ⚠️ WARNING ⚠️

- To avoid possible electrical shock, before installing light fixtures, disconnect power by turning off the circuit breakers both to the outlet box and to its associated wall switch location. If you cannot lock the circuit breakers in the off position, securely fasten a prominent warning device, such as a tag, to the service panel.
- Verify that supply voltage is correct by comparing it with the luminaire label information.
- Make all electrical and ground connections in the accordance with the National Electrical Code (NEC) and any applicable local code requirements.
- Wait for fixture and driver to cool before servicing and performing maintenance.

## ⚠️ CAUTION ⚠️

- All wiring must comply with national and local electrical codes and ANSI/NFPA 70. If you are unfamiliar with wiring, consult a qualified electrician.
- PPE Personal Protective Equipment such as gloves and safety glasses should always be used when installing, maintaining or servicing.
- Risk of fire. Keep combustible material away from fixtures.

## ⚠️ ADVERTENCIA ⚠️

- Para evitar un choque eléctrico, antes de instalar luminarias, desconecte la alimentación apagando los interruptores de circuito en el panel de servicio y en las paredes. Si no es posible bloquear los interruptores en la posición de apagado, sujete una etiqueta de seguridad en el panel de servicio.
- Compruebe que la tensión de alimentación es correcta comparándola con la información en la etiqueta de la luminaria.
- Haga todas las conexiones eléctricas y puesta a tierra de acuerdo con el código eléctrico nacional (NEC) y los requisitos del código local aplicable.
- Espere hasta que la luminaria y el controlador se enfrien antes de empezar el servicio y mantenimiento.

## ⚠️ PRECAUCION ⚠️

- Todo el cableado debe cumplir con los códigos eléctricos nacionales y locales y ANSI/NFPA 70. Si no está familiarizado con el cableado, consulte a un electricista.
- Al instalar, mantener o reparar, siempre se debe utilizar equipo de protección personal como guantes y lentes de seguridad
- Riesgo de incendio. Mantenga los materiales combustibles lejos de las luminarias.

## ⚠️ AVERTISSEMENT ⚠️

- Pour éviter les chocs, avant d'installer des appareils d'éclairage, coupez l'alimentation en désactivant les disjoncteurs et l'emplacement du commutateur mural. Si vous ne pouvez pas verrouiller les disjoncteurs en position d'arrêt, fixer un avertissement sur le panneau de service.
- Vérifiez que la tension d'alimentation est correcte en le comparant avec les informations d'étiquette de luminaire.
- Effectuer tous les raccordements électriques et mise à la terre dans la conformité avec le Code électrique National (NEC) et des exigences du code local applicable.
- Laisser suffisamment de temps pour l'appareil et pilote refroidir avant d'effectuer l'entretien et la maintenance.

## ⚠️ MIS EN GARDE ⚠️

- Tout le câblage doit être effectué conformément aux codes électriques locaux et nationaux et ANSI/NFPA 70. Si vous êtes peu familier avec câblage, vous devez utiliser un électricien qualifié.
- Équipement de protection personnelle comme des gants et des lunettes de sécurité doivent être utilisé en tout temps lors de l'installation, maintenance ou entretien.
- Risque d'incendie. Garder les matières combustibles loin de luminaires.

## INSTRUCTIONS FOR USE

De-energize circuit before installation.

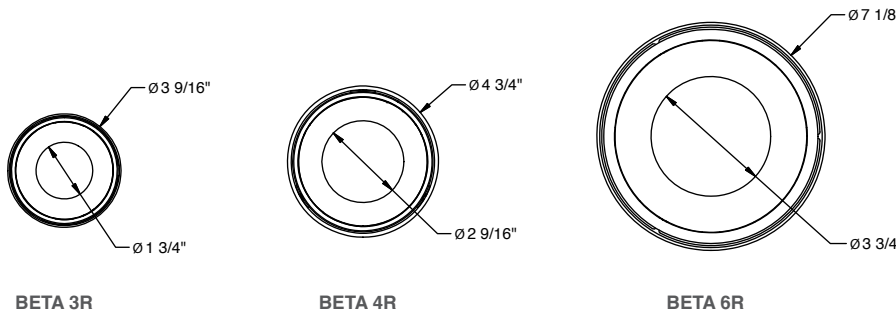
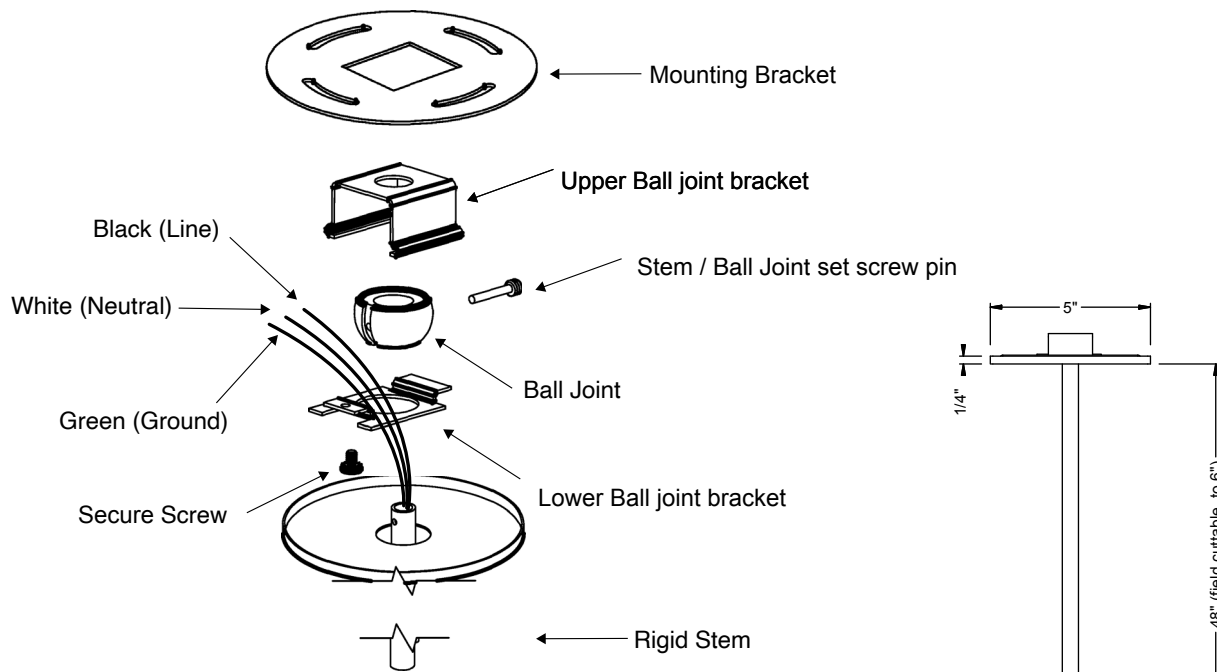
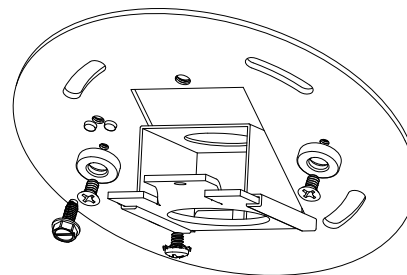
1. Swivel canopy to be mounted only on 4" octagonal J-Boxes.
2. Pass through enough additional wiring to feed through length of rigid stem, at least 6" longer than the stem.
3. Assemble stem on to fixture and secure with provided set screw.
4. Insert the canopy over the stem.
5. Place lower ball joint bracket onto stem and slide ball joint to align with existing or new hole on stem. Use set screw pin to secure ball joint.
6. Slide Upper ball joint bracket onto Lower ball joint bracket and snap in the plastic bushing over the top of the upper ball joint bracket
7. Secure backplate/mounting plate to a J-Box. (J-Box and mounting hardware supplied by others) for use with 3-1/2" and 4" octagonal recessed junction boxes with 2-3/4" mounting hole spacing. (Appropriate device ring cover may be required and to be supplied by others.)

### ALTERNATE MOUNTING: Do steps 11, 10 and 9 then lift entire fixture with mounting bracket onto J-box and secure (step 8)

8. Properly ground backplate/mounting plate in accordance with all local and national electrical codes.
9. Connect line, neutral, and ground wires to building electrical supply. Refer to product label and spec sheet for input voltage and dimming system requirements.
10. Carefully install the upper/lower ball joint with stem assembly onto mounting bracket, by hinging the assembly to the rectangular cutout then sliding the threaded tab over the mounting bracket and align with threaded hole. Use secure screw to fasten assembly.
11. Raise the canopy through the stem and secure to mounting bracket via the magnets attached.
12. Energize circuit and test for proper operation.

### FIELD CUT RIGID STEM

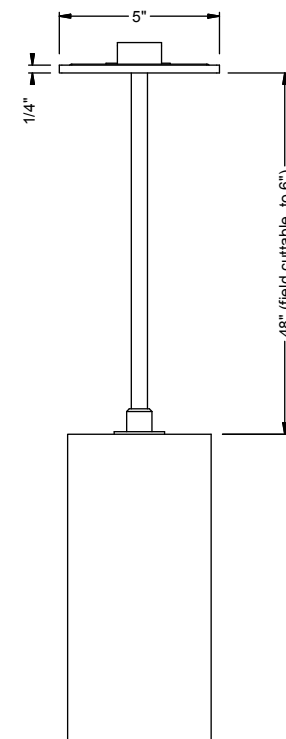
1. De-energize circuit, remove fixture, and remove wiring from rigid stem.
2. Cut the rigid stem to desired length and deburr the inside edge. Insert ball joint over rigid stem. Flat side of ball joint must be flush with top of rigid stem. Insert the small set screw into the threaded hole on the ball joint and tighten to secure in place.
3. On the opposite side, drill 1/8" hole into existing guide hole (drill bit provided). Remove any burrs from stem.
4. Loosen small set screw and rotate ball joint to re-tighten small set screw to penetrate new hole.
5. Drill a second hole using small hole in ball joint as a guide. Remove any burrs.
6. Remove small set screw and insert large set screw pin through the tapped hole on the ball joint. Tighten large set screw pin so that it sits across rigid stem into the opposite hole. Use allen key provided.



BETA 3R

BETA 4R

BETA 6R



RP

DIM10 / ELV1 / DMX / DALI / CAS  
(confirm dimming in specsheets)

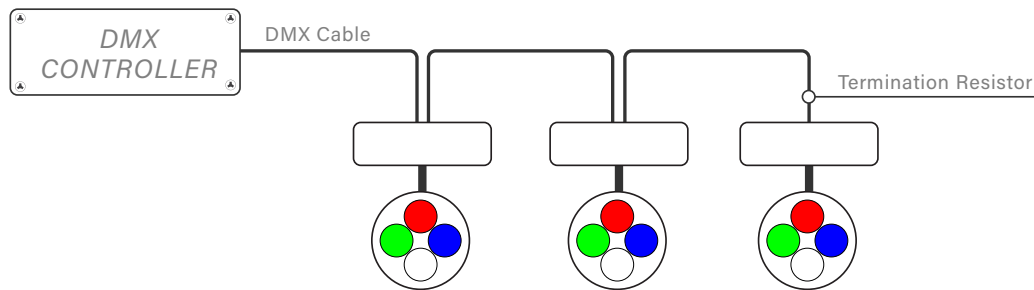
**INSTRUCTIONS FOR USE**

De-energize circuit before installation.

**DMX GUIDELINES**

- Terminate DMX with a 120Ω resistor to prevent reflections.\*
- Use cable specifically designed for DMX/RS-485 standard.
- Use a daisy chain topology.
- Use a repeater/booster after 25 - 32 units.
- Keep the total length of the cable between the controller and the last driver to less than 300 meters
- DO NOT run DMX control cable in close proximity to AC power lines. Electromagnetic waves spike from switching of high-current devices such as HVAC equipment or generators will induce noise into the DMX cable.
- All drain wires should be insulated from contact with ground using shrink tubing or other appropriate methods. The shields of both the fixture cable and the system cable should be insulated from contact with ground. This can be achieved by adding shrink tubing or other appropriate insulation around the area where each cable's outer jacket is stripped off to expose the individual conductors. Failure to insulate the drain wires and shields from contact with grounded parts may cause a ground loop within the system which may lead to degraded performance.

\*These reflections can cause erratic behavior such as random flashing of lights, unintended brightness levels, visible flicker and unstable operation.



**SIX ADDITIONAL WIRES FOR DMX WIRING**

DMX IN	+	Orange/White
DMX IN	-	Orange
DMX IN	Comm/Ground/Shield	Brown
DMX OUT	+	Orange/White
DMX OUT	-	Orange
DMX OUT	Comm/Ground/Shield	Brown

**DMX TERMINATION RESISTOR WIRING**

