

JOB NAME _____

CONTACT _____

ORDERING CODE _____

NU6" Round Adjustable Xicato



DESCRIPTION
The NU6RA 6" recessed adjustable by ALPHABET offers multiple cutting edge LED technologies, premium performance, thoughtful construction and pleasing aesthetics. Offered standard with premium dimming using EldoLED 1% flicker free drivers 120V-277V universal voltage. A minimalistic look is achieved with an ultrathin 1/16" trim that is only 5/16" wide. Color choices of both trim and bezel are offered for a customized look. An adjustable hot-aiming system allows tilt adjustments from 0° to 40° with 360° rotation. The aiming adjustment and locking mechanisms are accessible from below the ceiling while the reflector is installed. A complex tilting mechanism positions the tilting axis for the maximum optical performance at all angles.

HOUSING
Electrocoated 16-gauge cold-rolled steel provides enhanced structural reinforcement and rust prevention. Superior, UL-certified, injection-molded commercial-grade Lexan™ (PC) is used for the frame and regressed bezel trim. Lexan provides unmatched durability and impact resistance, and is tested for UV resistance and water exposure in outdoor applications. The thermally-advanced, anodized heat sink uses 6063 aluminum alloy. A 90-minute constant-power IOTA emergency battery backup is available.

MOUNTING
An advanced mounting system allows for quick and secure installation with LED and driver serviceability from below the ceiling. The LED assembly uses die-cast aluminum mounting clamp grips (MCG) that swing out to tighten onto variable ceiling thicknesses. Integrated rubber feet on each MCG provide a non-slip vibration-resistant installation. The hidden MCG system is accessible from below ceiling by removing the snap-in lens/bezel assembly with either the included suction cup or a screwdriver blade. Integrated bar hangers feature integral toothed nails, T-bar mounting slots with locking holes, tabs for joist positioning. Retrofit mounting option allows for installation from below ceiling by use of compact driver box. No risk damaging LED or bezel assembly during installation, these are installed during last steps. Fixture and driver are easily removed for servicing after install without damaging drywall.

MOUNTING DIMENSIONS	CEILING THICKNESS	CEILING CUTOUT	New Construction Bar Hangers (included)	Mounting Length: 14-3/4" to 26"
Trim	1/8" to 1-5/8"	6-3/8" diameter	Extension Kit p/n: K20266 (ordered separately, 1 per fixture)	Extends a pair of Bar Hangers Total Mounting Length: 29" to 48"

- LISTINGS**
- ETLus Listed to UL1598, cETL Listed to CSA C22.2 #250.0
 - IP65 with lens - Suitable for wet locations with lens - Suitable for damp locations without lens
 - Non-conductive, Lexan dead-front construction
 - Made in the USA - meets the requirements of the Buy American provision within the ARRA

RATINGS / CERTIFICATIONS	NC	RET	IC	ICAT	CP
Type non-IC	✓	✓			
Type IC			✓	✓	✓
Chicago Plenum (CCEA)					✓
Suitable for air handling plenums	✓	✓	✓	✓	✓
Reduced airflow (with lens) ASTM E283	✓	✓	✓	✓	✓

LED INFO
- SDCM = 1X2 MacAdam Ellipse, Duv +/- 0.001, Lumen Maintenance: L₉₀ > 55,000 hrs

XICATO XTM MODULE - ORDERING CODE

SERIES	NU6	
TYPE	RA	round adjustable
LED	XTM19	Xicato XTM 19mm
DELIVERED LUMENS	07LM 10LM 13LM 20LM 30LM 40LM	630 lm 890 lm 1160 lm 1780 lm 2670 lm 3560 lm
CCT	27K 30K 35K 40K	2700K 3000K 3500K 4000K
CRI	83 98 ¹	83 CRI 98 CRI
REFLECTOR & LM MULTIPLIER	S20 S30 S60 D40 D50 D60 HE45 HE55 HE75	20° specular (1.00) 30° specular (0.99) 60° specular (0.95) 40° diffused (0.88) 50° diffused (0.89) 60° diffused (0.90) 45° high efficiency diffused lens (0.88) 55° high efficiency diffused lens (0.88) 75° high efficiency diffused lens (0.78)
VOLTAGE	120 UNV	120V 120V-277V
DIMMING	DIM10 ⁴ DIM10Z ⁴ DALI ⁴ DALIZ ⁴ DMXZ LTE ⁵ LUT ⁶ LUTP ⁷ ELV ⁵	eldoLED flicker free 0-10V dimming to 1% eldoLED flicker free 0-10V dimming to 0% eldoLED flicker free DALI dimming to 1% eldoLED flicker free DALI dimming to 0% DMX dim to zero Lutron Hi-lume 2-Wire (Triac) dimming to 1% Lutron Hi-lume Ecosystem dimming to 1%, Soft-on & Fade-to-Black Lutron Hi-lume Premier Ecosystem dimming to 0.1%, Soft-on & Fade-to-Black leading & trailing edge dimming (Triac/ELV)
MOUNTING OPTIONS	NC IC ² ICAT ² CP ² RET	new construction with ceiling fitting plate insulation contact housing insulation contact/airtight housing chicago plenum housing retrofit, no ceiling fitting plate
TRIM COLOR	WH MC BK BZ WT	white matte chrome black bronze wheat
BEZEL COLOR	WH MC BK BZ WT	white matte chrome black bronze wheat
ELECTRICAL OPTIONS	EM7 EM12 ³	emergency battery backup, 90 minutes at 7W to LED emergency battery backup, 90 minutes at 12W to LED

ORDERING CODE _____

Follow the steps to specify your fixture, example:
NU6 - RA - XTM19 - 13LM - 35K - 98 - D50 - 120 - DIM10 - NC - WH - WH - EM7

XTM19 (LED)	POWER	
	W (83 CRI)	W (98 CRI)
DELIVERED LM		
630	10	11
890	12	15
1160	17	21
1780	26	33
2670	37	43
3560	49	N/A

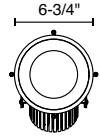
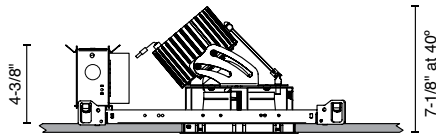
Power Factor ≥ 0.9

NOTES

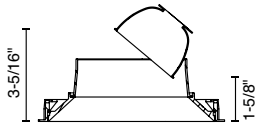
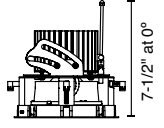
- 98CRI not available for 40LM.
- IC/ICAT/CP not available for 98CRI in 30LM or 83/98CRI in 40LM.
- EM12 not available for 83CRI in 07LM, 10LM or 13LM.
- Driver uses logarithmic dimming curve as standard. For linear dimming curve add "LIN" after dimming code, i.e. DIM10LIN.
- Triac/ELV dimming available for 83/98CRI in 10LM, 13LM, 20LM, & 83CRI only in 30LM. Dimmable to < 10% in 10LM, 13LM, 120V only. Dimmable to < 1% in 20LM, 30LM.
- LTE/LUT not available in 40LM.
- LUTP not available in 20LM, 30LM, or 40LM.

MOUNTING OPTIONS

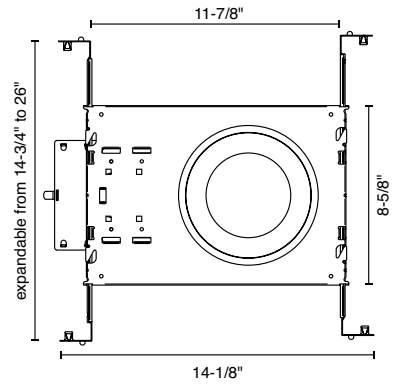
NC - NEW CONSTRUCTION



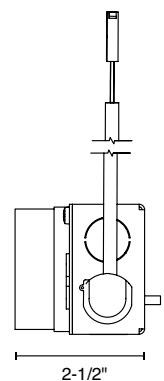
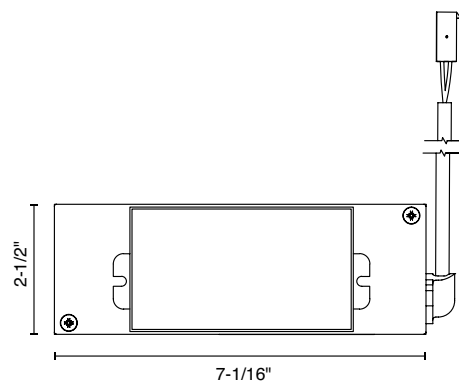
ceiling cutout
6-3/8" diameter



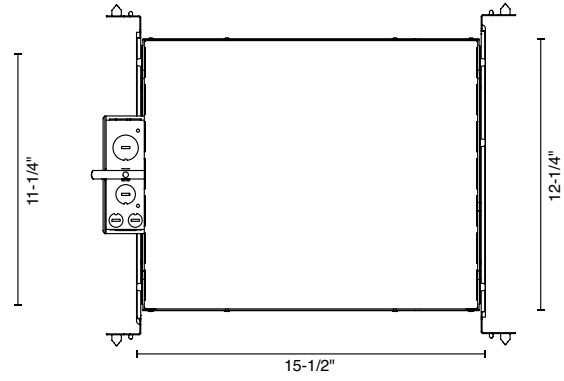
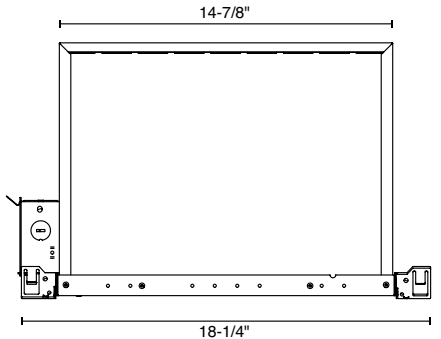
aperture dimensions



RET - RETROFIT

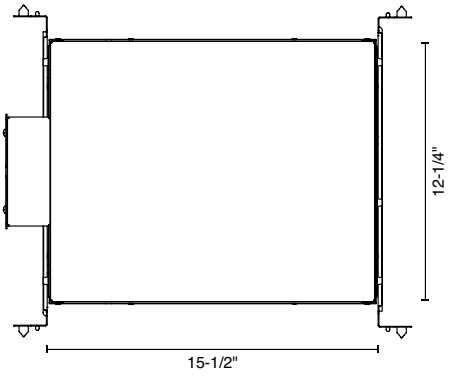
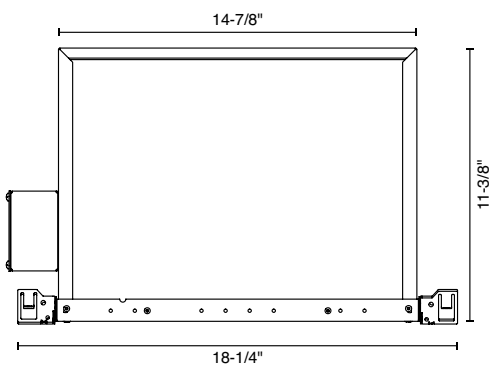


IC - INSULATION CONTACT HOUSING



CP - CHICAGO PLENUM

ICAT - INSULATION CONTACT / AIR TIGHT





ENERGY STAR-ORDERING CODE

SERIES	NU6	
TYPE	RA	round adjustable
LED	XTM19	Xicato XTM 19mm
DELIVERED LUMENS	10LM	890 lm
	13LM	1160 lm
	27LM	2311 lm
	30LM	2500 lm
	33LM	2737 lm
40LM	3330 lm	
CCT	27K	2700K
	30K	3000K
	35K	3500K
	40K	4000K
CRI	83	83 CRI
	90²	90 CRI
REFLECTOR & LM MULTIPLIER	S20	20° specular (1.00)
	S30	30° specular (0.99)
	S60	60° specular (0.95)
	D40³	40° diffused (0.88)
	D50³	50° diffused (0.89)
D60³	60° diffused (0.90)	
VOLTAGE	120	120V
	277	277V
DIMMING	DIM10	eldoLED flicker free 0-10V dimming to 1%
	DIM10Z⁴	eldoLED flicker free 0-10V dimming to 0%
MOUNTING OPTIONS	NC	new construction with ceiling fitting plate
	IC¹	insulation contact housing
	ICAT¹	insulation contact/airtight housing
RET	retrofit, no ceiling fitting plate	
TRIM COLOR	WH	white
BEZEL COLOR	WH	white
ELECTRICAL OPTIONS	ES	energy star

ORDERING CODE

Follow the steps to specify your fixture, example:

NU6 - RA - XTM19 - 13LM - 27K - 90 - S20 - 120 - DIM10 - IC - WH - WH - ES

NOTES

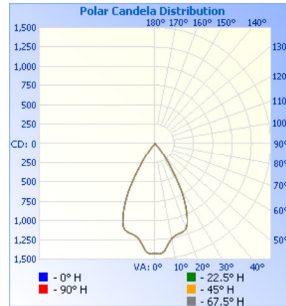
1. IC and ICAT only available for 10LM and 13LM.
2. 90CRI only available for 10LM and 13LM.
3. D40, D50, D60 only available for 27LM, 30LM, 33LM and 40LM.
4. DIM10Z not available for 10LM and 13LM.

Zonal Lumen Summary

Zone	Lumens	%Lamp	%Fixt
0-20	470.52	N.A.	42.40
0-30	900.19	N.A.	81.10
0-40	1088.44	N.A.	98.10
0-60	1105.15	N.A.	99.60
0-80	1107.03	N.A.	99.80
0-90	1108.03	N.A.	99.90
10-90	980.22	N.A.	88.30
20-40	617.93	N.A.	55.70
20-50	633.51	N.A.	57.10
40-70	17.66	N.A.	1.60
60-80	1.88	N.A.	0.20
70-80	0.92	N.A.	0.10
80-90	1.00	N.A.	0.10
90-110	0.54	N.A.	0.00
90-120	0.77	N.A.	0.10
90-130	0.99	N.A.	0.10
90-150	1.32	N.A.	0.10
90-180	1.52	N.A.	0.10
110-180	0.99	N.A.	0.10
0-180	1109.56	N.A.	100.00

Zonal Lumen Summary

Zone	Lumens
0-10	127.81
10-20	342.71
20-30	429.68
30-40	188.25
40-50	15.58
50-60	1.12
60-70	0.96
70-80	0.92
80-90	1.00
90-100	0.28
100-110	0.25
110-120	0.24
120-130	0.21
130-140	0.19
140-150	0.15
150-160	0.11
160-170	0.07
170-180	0.02



NU6-RA-XTM19-13LM-30K-83-S60-120-DIM10-RET-WH-WH-ES