

PROJECT INFORMATION		
JOB NAME		TYPE
ORDERING CODE		

## NU6

### 6" Round Adjustable Tunable White



#### DESCRIPTION

The NU6RA-TW 6" recessed adjustable by ALPHABET offers economical and efficient, tunable CCT LED technology from Luminus or Nichia, premium performance, thoughtful construction and pleasing aesthetics. Available with standard premium dimming using the EldoLED flicker-free driver with LightShape technology at 120V-277V universal voltage. A minimalistic look is achieved with an ultrathin 1/16" trim that is only 5/16" wide. Color choices of both trim and bezel are offered for a customized look. An adjustable hot-aiming system allows tilt adjustments from 0° to 40° with 360° rotation. The aiming adjustment and locking mechanisms are accessible from below the ceiling while the reflector is installed. A complex tilting mechanism positions the tilting axis for the maximum optical performance at all angles. Optional integrated nLight® interface for Acuity Controls compatibility. Optional Casambi interface for wireless control. DALI and 0-10V compatible dimming.

#### HOUSING

Electrocoated 16-gauge cold-rolled steel provides enhanced structural reinforcement and rust prevention. Superior, UL-certified, injection-molded commercial-grade Lexan™ (PC) is used for the frame and regressed bezel trim. Lexan provides unmatched durability and impact resistance, and is tested for UV resistance and water exposure in outdoor applications. The thermally-advanced, anodized heat sink uses 6063 aluminum alloy.

#### MOUNTING

An advanced mounting system allows for quick and secure installation with LED and driver serviceability from below the ceiling. The LED assembly uses die-cast aluminum mounting clamp grips (MCG) that swing out to tighten onto variable ceiling thicknesses. Integrated rubber feet on each MCG provide a non-slip vibration-resistant installation. The hidden MCG system is accessible from below ceiling by removing the snap-in lens/bezel assembly with either the included suction cup or a screwdriver blade. Integrated bar hangers feature integral toothed nails, T-bar mounting slots with locking holes, tabs for joist positioning. Retrofit mounting option allows for installation from below ceiling by use of compact driver box. No risk damaging LED or bezel assembly during installation, these are installed during last steps. Fixture and driver are easily removed for servicing after install without damaging drywall.

MOUNTING DIMENSIONS	CEILING THICKNESS	CEILING CUTOUT
Trim	1/8" to 1-5/8"	6-3/8" diameter

New Construction Bar Hangers (included)	Mounting Length: 14-3/4" to 26"
Extension Kit p/n: K20266 (ordered separately, 1 per fixture)	Extends a pair of Bar Hangers Total Mounting Length: 29" to 48"

#### LISTINGS

- ETLus Listed to UL1598, cETL Listed to CSA C22.2 #250.0
- IP65 with lens - Suitable for wet locations with lens - Suitable for damp locations without lens
- Non-conductive, Lexan dead-front construction
- Made in the USA - meets the requirements of the Buy American provision within the ARRA

RATINGS / CERTIFICATIONS	NC	RET	IC	ICAT	CP
Type non-IC	✓	✓			
Type IC			✓	✓	✓
Chicago Plenum (CCEA)					✓
Suitable for air handling plenums	✓	✓	✓	✓	✓
Reduced airflow (with lens) ASTM E283	✓	✓	✓	✓	✓

#### LED INFO

- Luminus tunable white COB:
- 95 CRI, R9 > 70: SDCM = 4-step MacAdam Ellipse; Lumen Maintenance:  $L_{70} > 54,000$  hrs
- Nichia tunable white COB:
- 80 CRI, R9 > 0: SDCM = 3-step MacAdam Ellipse; Lumen Maintenance:  $L_{90} > 33,000$  hrs

#### LUMINUS TUNABLE WHITE - ORDERING CODE

LM-79

<b>SERIES</b>	NU6																									
<b>TYPE</b>	RA	round adjustable																								
<b>LED</b>	TW	tunable white (Luminus)																								
<b>DELIVERED LUMENS</b>	07LM 10LM 13LM 16LM 20LM	560 lm 800 lm 1050 lm 1280 lm 1600 lm <small>Calculated Delivered Lumens = [Delivered Lumen Value] x [CCT Multiplier] Standard Configuration: 3500K</small>																								
<b>CCT</b>	2765	2700K to 6500K tunable white																								
		<table border="1"> <thead> <tr> <th>CCT</th> <th>2700K</th> <th>3000K</th> <th>3500K</th> <th>4000K</th> <th>5000K</th> <th>5700K</th> <th>6500K</th> </tr> </thead> <tbody> <tr> <td>CCT MULTIPLIER FOR LUMEN OUTPUT</td> <td>0.91</td> <td>0.98</td> <td>1.00</td> <td>0.99</td> <td>1.00</td> <td>1.01</td> <td>1.02</td> </tr> <tr> <td>EML RATIO<sup>2</sup></td> <td>0.49</td> <td>0.57</td> <td>0.68</td> <td>0.79</td> <td>0.96</td> <td>1.04</td> <td>1.12</td> </tr> </tbody> </table>	CCT	2700K	3000K	3500K	4000K	5000K	5700K	6500K	CCT MULTIPLIER FOR LUMEN OUTPUT	0.91	0.98	1.00	0.99	1.00	1.01	1.02	EML RATIO <sup>2</sup>	0.49	0.57	0.68	0.79	0.96	1.04	1.12
CCT	2700K	3000K	3500K	4000K	5000K	5700K	6500K																			
CCT MULTIPLIER FOR LUMEN OUTPUT	0.91	0.98	1.00	0.99	1.00	1.01	1.02																			
EML RATIO <sup>2</sup>	0.49	0.57	0.68	0.79	0.96	1.04	1.12																			
<b>CRI</b>	95	95 CRI max at 3500K, 90 CRI at 6500K																								
<b>REFLECTOR</b>	S30 S40 S50 SC30 SC50 SC40	30° specular, no lens 40° specular, no lens 50° specular, no lens 30° specular with clear lens 50° specular with clear lens 40° specular with clear lens																								
<b>VOLTAGE</b>	120 UNV	120V 120V-277V																								
<b>DIMMING</b>	CASZ NLT DIM10Z <sup>1</sup> DALIZ	Casambi dim to zero nLight control interface: standard Cat-5/RJ45 connection (female), dim to off eldoLED flicker free 0-10V dimming to 0% eldoLED flicker free DALI-2 dimming to 0%																								
<b>MOUNTING OPTIONS</b>	NC IC ICAT CP RET	new construction with ceiling fitting plate insulation contact housing insulation contact/airtight housing chicago plenum housing retrofit, no ceiling fitting plate																								
<b>TRIM COLOR</b>	BK WH MC BZ WT	black white matte chrome bronze wheat																								
<b>BEZEL COLOR</b>	BK WH MC WT BZ	black white matte chrome wheat bronze																								

#### ORDERING CODE

Follow the steps to specify your fixture, example:  
**NU6 - RA - TW - 13LM - 2765 - 95 - S30 - 120 - CAS - NC - WH - WH**

LUMINUS (LED)	POWER
DELIVERED LM	W (95 CRI)
560	10
800	13
1050	15
1280	19
1600	25

Power Factor ≥ 0.9

#### NOTES

1. Requires 2 wall controllers (see wiring diagram).
2. EML = equivalent melanopic lux. To calculate EML, multiply the measured photopic lux by the EML ratio for the given CCT. Example: 254 lux x 0.79 = 200 melanopic lux at 4000K.

# alphabet

PROJECT INFORMATION		
JOB NAME		TYPE
ORDERING CODE		

## NICHIA TUNABLE WHITE - ORDERING CODE

<b>SERIES</b>	NU6													
<b>TYPE</b>	RA	round adjustable												
<b>LED</b>	TW	tunable white (Nichia)												
<b>DELIVERED LUMENS</b>	<b>13LM</b> 1050 lm <b>16LM</b> 1300 lm <b>20LM</b> 1600 lm <b>30LM</b> 2400 lm Calculated Delivered Lumens = [Delivered Lumen Value] x [CCT Multiplier] Standard Configuration: 3500K													
<b>CCT</b>	2750	2700K to 5000K tunable white												
		<table border="1"> <thead> <tr> <th>CCT</th> <th>2700K</th> <th>3000K</th> <th>3500K</th> <th>4000K</th> <th>5000K</th> </tr> </thead> <tbody> <tr> <td>EML RATIO<sup>2</sup></td> <td>0.43</td> <td>0.51</td> <td>0.63</td> <td>0.69</td> <td>0.80</td> </tr> </tbody> </table>	CCT	2700K	3000K	3500K	4000K	5000K	EML RATIO <sup>2</sup>	0.43	0.51	0.63	0.69	0.80
CCT	2700K	3000K	3500K	4000K	5000K									
EML RATIO <sup>2</sup>	0.43	0.51	0.63	0.69	0.80									
<b>CRI</b>	80	80 CRI												
<b>REFLECTOR</b>	<b>S30</b> 30° specular, no lens <b>S40</b> 40° specular, no lens <b>S50</b> 50° specular, no lens <b>SC30</b> 30° specular with clear lens <b>SC40</b> 40° specular with clear lens <b>SC50</b> 50° specular with clear lens													
<b>VOLTAGE</b>	<b>120</b> 120V <b>UNV</b> 120V-277V													
<b>DIMMING</b>	<b>CASZ</b> Casambi dim to zero <b>NLT</b> nLight control interface: standard Cat-5/RJ45 connection (female), dim to off <b>DIM10Z<sup>1</sup></b> eldoLED flicker free 0-10V dimming to 0% <b>DALIZ</b> eldoLED flicker free DALI-2 dimming to 0%													
<b>MOUNTING OPTIONS</b>	<b>NC</b> new construction with ceiling fitting plate <b>IC</b> insulation contact housing <b>ICAT</b> insulation contact/airtight housing <b>CP</b> chicago plenum housing <b>RET</b> retrofit, no ceiling fitting plate													
<b>TRIM COLOR</b>	<b>BK</b> black <b>WH</b> white <b>MC</b> matte chrome <b>BZ</b> bronze <b>WT</b> wheat													
<b>BEZEL COLOR</b>	<b>BK</b> black <b>WH</b> white <b>MC</b> matte chrome <b>WT</b> wheat <b>BZ</b> bronze													

### ORDERING CODE

Follow the steps to specify your fixture, example:

NU6 - RA - TW - 30LM - 2750 - 80 - S30 - 120 - CAS - NC - WH - WH

NICHIA (LED)	POWER	
	W (80 CRI) 2700K	W (80 CRI) 5000K
1050	15	12
1300	18	15
1600	22	18
2400	35	28

Power Factor ≥ 0.9

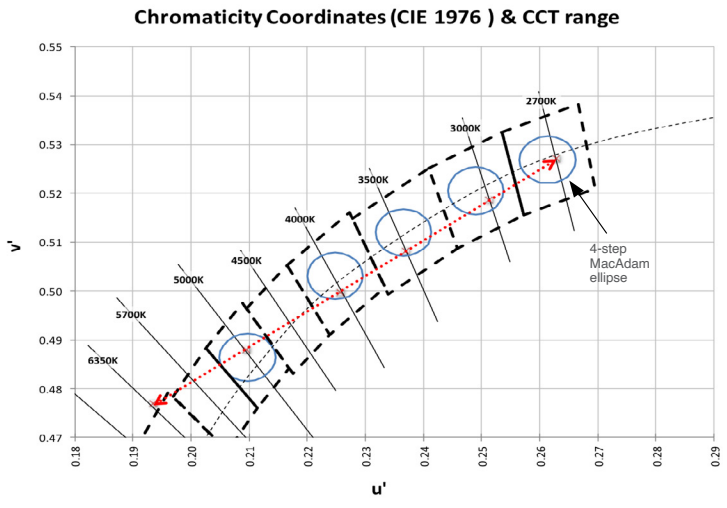
### NOTES

- Requires 2 wall controllers (see wiring diagram).
- EML = equivalent melanopic lux. To calculate EML, multiply the measured photopic lux by the EML ratio for the given CCT. Example: 290 lux x 0.69 = 200 melanopic lux at 4000K.

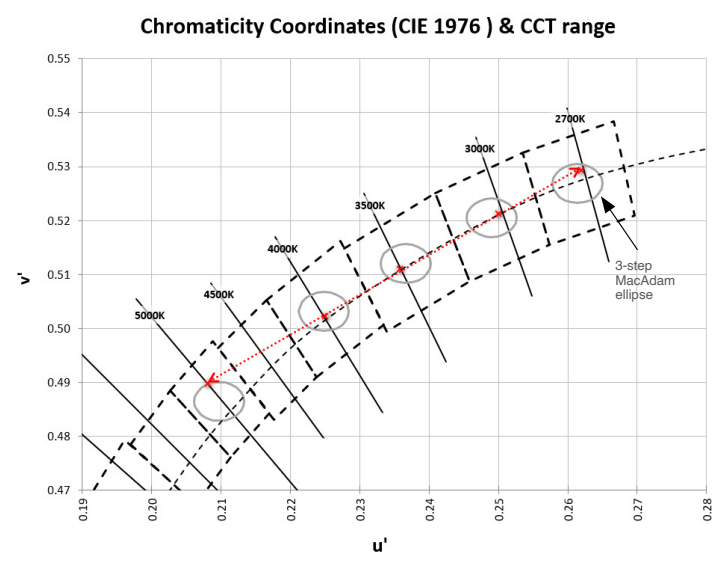
PROJECT INFORMATION		
JOB NAME		TYPE
ORDERING CODE		

## TUNABLE WHITE

### LUMINUS 95CRI

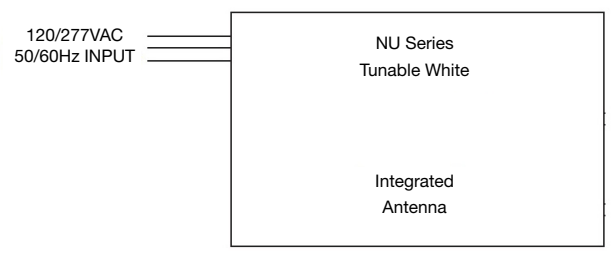


### NICHIA 80CRI



## WIRING DIAGRAMS

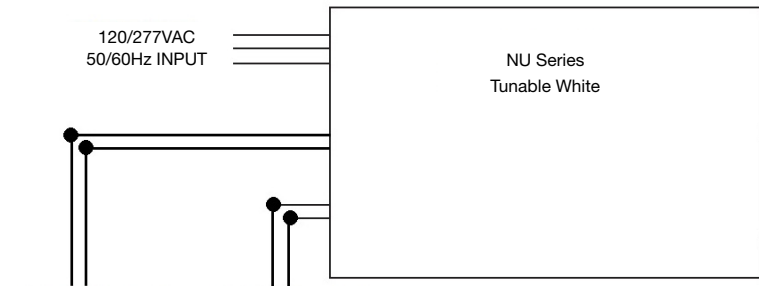
### “CAS” CASAMBI CONTROLS



COMPATIBLE WIRELESS SWITCHES  
CCT & Light Intensity Control

CASAMBI™ APP (IOS & Android)  
Wireless Commissioning,  
CCT & Light Intensity Control

### “DIM10Z” HARDWIRED 0-10V CONTROL



STANDARD 0-10V SWITCHES  
(provided by others)

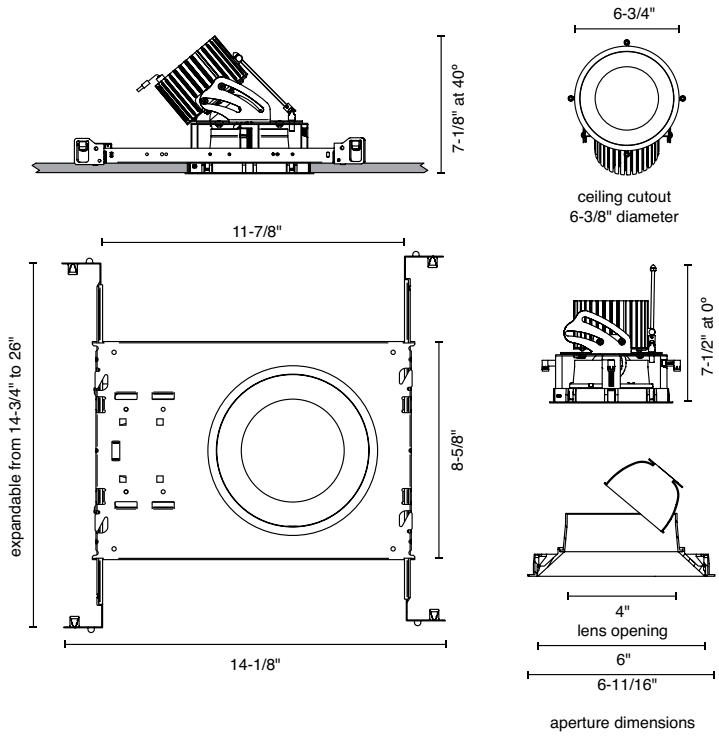
### NOTES

1. Consult factory to order compatible wireless switches.

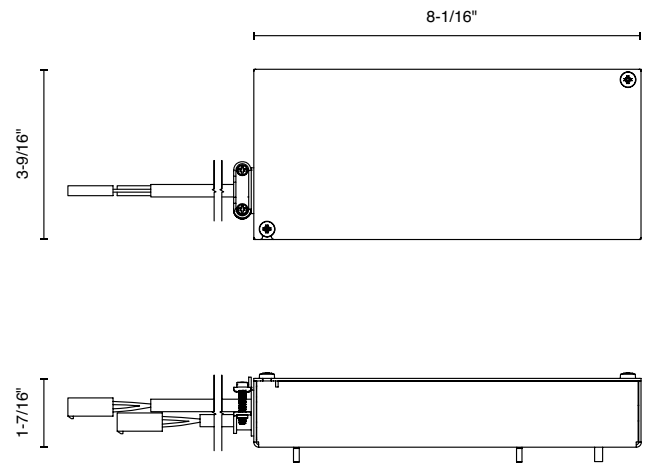
PROJECT INFORMATION		
JOB NAME	TYPE	
ORDERING CODE		

## MOUNTING OPTIONS

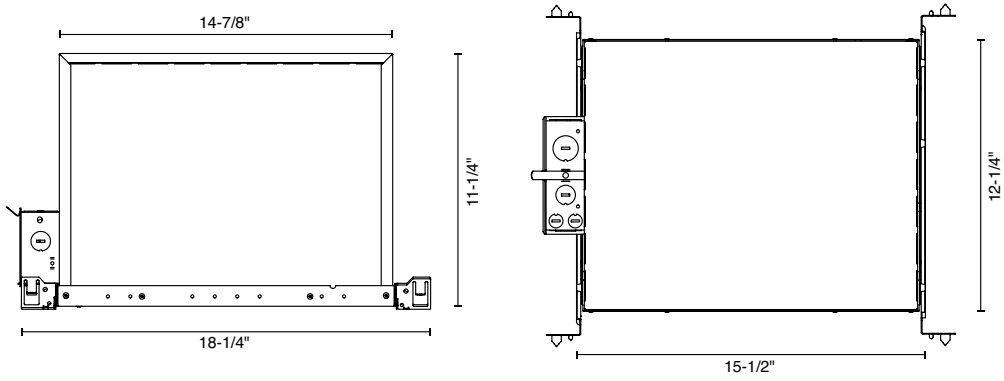
### NC - NEW CONSTRUCTION



### RET - RETROFIT



### IC - INSULATION CONTACT HOUSING



### CP - CHICAGO PLENUM ICAT - INSULATION CONTACT / AIR TIGHT

