

JOB NAME _____

CONTACT _____

ORDERING CODE _____



ECO NU6" Round Adjustable

COB



eldoLED[®]
your product | our drive



DESCRIPTION

The EcoNU6RA is an economical and highly efficient spec grade 6" recessed adjustable with thoughtful construction and pleasing aesthetics. Offered standard with premium dimming using EldoLED 1% flicker free drivers 120V-277V universal voltage. A minimalistic look is achieved with an ultrathin 1/16" trim that is only 5/16" wide. Color choices of both trim and bezel are offered for a customized look. An adjustable hot-aiming system allows tilt adjustments from 0° to 40° with 360° rotation. The aiming adjustment and locking mechanisms are accessible from below the ceiling while the reflector is installed. A complex tilting mechanism positions the tilting axis for the maximum optical performance at all angles.

HOUSING

Electrocoated 16-gauge cold-rolled steel provides enhanced structural reinforcement and rust prevention. Superior, UL-certified, injection-molded commercial-grade Lexan™ (PC) is used for the frame and regressed bezel trim. Lexan provides unmatched durability and impact resistance, and is tested for UV resistance and water exposure in outdoor applications. The thermally-advanced, anodized heat sink uses 6063 aluminum alloy. A 90-minute constant-power IOTA emergency battery backup is available.

MOUNTING

An advanced mounting system allows for quick and secure installation with LED and driver serviceability from below the ceiling. The LED assembly uses die-cast aluminum mounting clamp grips (MCG) that swing out to tighten onto variable ceiling thicknesses. Integrated rubber feet on each MCG provide a non-slip vibration-resistant installation. The hidden MCG system is accessible from below ceiling by removing the snap-in lens/bezel assembly with either the included suction cup or a screwdriver blade. Integrated bar hangers feature integral toothed nails, T-bar mounting slots with locking holes, tabs for joist positioning. Retrofit mounting option allows for installation from below ceiling by use of compact driver box. No risk damaging LED or bezel assembly during installation, these are installed during last steps. Fixture and driver are easily removed for servicing after install without damaging drywall.

MOUNTING DIMENSIONS	CEILING THICKNESS	CEILING CUTOUT	New Construction Bar Hangers (included)	Mounting Length: 14-3/4" to 26"
Trim	1/8" to 1-5/8"	6-3/8" diameter	Extension Kit p/n: K20266 (ordered separately, 1 per fixture)	Extends a pair of Bar Hangers Total Mounting Length: 29" to 48"

LISTINGS

- ETLus Listed to UL1598, cETL Listed to CSA C22.2 #250.0
- IP65 with lens - Suitable for wet locations with lens - Suitable for damp locations without lens
- Non-conductive, Lexan dead-front construction
- Made in the USA - meets the requirements of the Buy American provision within the ARRA

RATINGS / CERTIFICATIONS	NC	RET	IC	ICAT	CP
Type non-IC	✓	✓			
Type IC			✓	✓	✓
Chicago Plenum (CCEA)					✓
Suitable for air handling plenums	✓	✓	✓	✓	✓
Reduced airflow (with lens) ASTM E283	✓	✓	✓	✓	✓

LED INFO

- 90 CRI: SDCM = 2-step MacAdam Ellipse, Lumen Maintenance: L₇₀ > 49,500 hrs
- 80 CRI: SDCM = 3-step MacAdam Ellipse, Lumen Maintenance: L₇₀ > 49,500 hrs

ORDERING CODE

SERIES	NU6																																																																							
TYPE	RA round adjustable																																																																							
LED	SW static white																																																																							
DELIVERED LUMENS	<table border="0"> <tr><td>07LM</td><td>630 lm</td></tr> <tr><td>10LM</td><td>830 lm</td></tr> <tr><td>13LM</td><td>1025 lm</td></tr> <tr><td>15LM</td><td>1200 lm</td></tr> <tr><td>20LM</td><td>1635 lm</td></tr> <tr><td>25LM</td><td>2000 lm</td></tr> <tr><td>30LM</td><td>2465 lm</td></tr> <tr><td>40LM</td><td>3320 lm</td></tr> </table> <p>Calculated Delivered Lumens = [Delivered Lumen Value] x [CCT Multiplier] x [Reflector Multiplier] Standard Configuration: 3000K 80CRI SS30</p>	07LM	630 lm	10LM	830 lm	13LM	1025 lm	15LM	1200 lm	20LM	1635 lm	25LM	2000 lm	30LM	2465 lm	40LM	3320 lm																																																							
07LM	630 lm																																																																							
10LM	830 lm																																																																							
13LM	1025 lm																																																																							
15LM	1200 lm																																																																							
20LM	1635 lm																																																																							
25LM	2000 lm																																																																							
30LM	2465 lm																																																																							
40LM	3320 lm																																																																							
CCT	<table border="1"> <thead> <tr> <th>CCT</th> <th>2200K</th> <th>2700K</th> <th>3000K</th> <th>3500K</th> <th>4000K</th> <th>5000K</th> </tr> </thead> <tbody> <tr> <td>22K</td> <td>2200K</td> <td>2700K</td> <td>3000K</td> <td>3500K</td> <td>4000K</td> <td>5000K</td> </tr> <tr> <td>27K</td> <td>2700K</td> <td>2700K</td> <td>3000K</td> <td>3500K</td> <td>4000K</td> <td>5000K</td> </tr> <tr> <td>30K</td> <td>3000K</td> <td>3000K</td> <td>3000K</td> <td>3500K</td> <td>4000K</td> <td>5000K</td> </tr> <tr> <td>35K</td> <td>3500K</td> <td>3500K</td> <td>3500K</td> <td>3500K</td> <td>4000K</td> <td>5000K</td> </tr> <tr> <td>40K</td> <td>4000K</td> <td>4000K</td> <td>4000K</td> <td>4000K</td> <td>4000K</td> <td>5000K</td> </tr> <tr> <td>50K</td> <td>5000K</td> <td>5000K</td> <td>5000K</td> <td>5000K</td> <td>5000K</td> <td>5000K</td> </tr> </tbody> </table> <p>CCT MULTIPLIER FOR LUMEN OUTPUT</p> <table border="1"> <thead> <tr> <th>CRI</th> <th>80+</th> <th>90+</th> <th>80+</th> <th>90+</th> <th>80+</th> <th>90+</th> <th>80+</th> <th>90+</th> <th>80+</th> <th>90+</th> </tr> </thead> <tbody> <tr> <td>0.85</td> <td>N/A</td> <td>0.96</td> <td>0.81</td> <td>1.00</td> <td>0.84</td> <td>1.01</td> <td>0.85</td> <td>1.03</td> <td>0.87</td> <td>1.04</td> </tr> </tbody> </table>	CCT	2200K	2700K	3000K	3500K	4000K	5000K	22K	2200K	2700K	3000K	3500K	4000K	5000K	27K	2700K	2700K	3000K	3500K	4000K	5000K	30K	3000K	3000K	3000K	3500K	4000K	5000K	35K	3500K	3500K	3500K	3500K	4000K	5000K	40K	4000K	4000K	4000K	4000K	4000K	5000K	50K	5000K	5000K	5000K	5000K	5000K	5000K	CRI	80+	90+	80+	90+	80+	90+	80+	90+	80+	90+	0.85	N/A	0.96	0.81	1.00	0.84	1.01	0.85	1.03	0.87	1.04
CCT	2200K	2700K	3000K	3500K	4000K	5000K																																																																		
22K	2200K	2700K	3000K	3500K	4000K	5000K																																																																		
27K	2700K	2700K	3000K	3500K	4000K	5000K																																																																		
30K	3000K	3000K	3000K	3500K	4000K	5000K																																																																		
35K	3500K	3500K	3500K	3500K	4000K	5000K																																																																		
40K	4000K	4000K	4000K	4000K	4000K	5000K																																																																		
50K	5000K	5000K	5000K	5000K	5000K	5000K																																																																		
CRI	80+	90+	80+	90+	80+	90+	80+	90+	80+	90+																																																														
0.85	N/A	0.96	0.81	1.00	0.84	1.01	0.85	1.03	0.87	1.04																																																														
CRI	80 90 ¹	80 CRI 90 CRI																																																																						
REFLECTOR & LM MULTIPLIER	<table border="0"> <tr><td>SS30</td><td>30° semi-specular (1.00)</td></tr> <tr><td>SS45</td><td>45° semi-specular (0.89)</td></tr> <tr><td>SS60</td><td>60° semi-specular (0.98)</td></tr> <tr><td>D40</td><td>40° diffused (0.93)</td></tr> <tr><td>D50</td><td>50° diffused (0.94)</td></tr> <tr><td>D65</td><td>65° diffused (0.93)</td></tr> <tr><td>HE45</td><td>45° high efficiency diffused lens (0.92)</td></tr> <tr><td>HE60</td><td>60° high efficiency diffused lens (0.91)</td></tr> <tr><td>HE75</td><td>75° high efficiency diffused lens (0.84)</td></tr> </table>	SS30	30° semi-specular (1.00)	SS45	45° semi-specular (0.89)	SS60	60° semi-specular (0.98)	D40	40° diffused (0.93)	D50	50° diffused (0.94)	D65	65° diffused (0.93)	HE45	45° high efficiency diffused lens (0.92)	HE60	60° high efficiency diffused lens (0.91)	HE75	75° high efficiency diffused lens (0.84)																																																					
SS30	30° semi-specular (1.00)																																																																							
SS45	45° semi-specular (0.89)																																																																							
SS60	60° semi-specular (0.98)																																																																							
D40	40° diffused (0.93)																																																																							
D50	50° diffused (0.94)																																																																							
D65	65° diffused (0.93)																																																																							
HE45	45° high efficiency diffused lens (0.92)																																																																							
HE60	60° high efficiency diffused lens (0.91)																																																																							
HE75	75° high efficiency diffused lens (0.84)																																																																							
VOLTAGE	120 UNV 120V 120V-277V																																																																							
DIMMING	<table border="0"> <tr><td>DIM10³</td><td>eldoLED flicker free 0-10V dimming to 1%</td></tr> <tr><td>DIM10Z³</td><td>eldoLED flicker free 0-10V dimming to 0%</td></tr> <tr><td>DALI¹</td><td>eldoLED flicker free DALI dimming to 1%</td></tr> <tr><td>DALIZ³</td><td>eldoLED flicker free DALI dimming to 0%</td></tr> <tr><td>DMXZ</td><td>DMX dim to zero</td></tr> <tr><td>LTE^{4,7}</td><td>Lutron Hi-lume 2-Wire (Triac) dimming to 1%</td></tr> <tr><td>LUT</td><td>Lutron Hi-lume Ecosystem dimming to 1%, Soft-on & Fade-to-Black</td></tr> <tr><td>LUTP⁶</td><td>Lutron Hi-lume Premier Ecosystem dimming to 0.1%, Soft-on & Fade-to-Black</td></tr> <tr><td>ELV^{4,7}</td><td>leading & trailing edge (Triac/ELV) dimming to < 10%</td></tr> <tr><td>ELV1^{4,7}</td><td>leading & trailing edge (Triac/ELV) dimming to 1%</td></tr> </table>	DIM10 ³	eldoLED flicker free 0-10V dimming to 1%	DIM10Z ³	eldoLED flicker free 0-10V dimming to 0%	DALI ¹	eldoLED flicker free DALI dimming to 1%	DALIZ ³	eldoLED flicker free DALI dimming to 0%	DMXZ	DMX dim to zero	LTE ^{4,7}	Lutron Hi-lume 2-Wire (Triac) dimming to 1%	LUT	Lutron Hi-lume Ecosystem dimming to 1%, Soft-on & Fade-to-Black	LUTP ⁶	Lutron Hi-lume Premier Ecosystem dimming to 0.1%, Soft-on & Fade-to-Black	ELV ^{4,7}	leading & trailing edge (Triac/ELV) dimming to < 10%	ELV1 ^{4,7}	leading & trailing edge (Triac/ELV) dimming to 1%																																																			
DIM10 ³	eldoLED flicker free 0-10V dimming to 1%																																																																							
DIM10Z ³	eldoLED flicker free 0-10V dimming to 0%																																																																							
DALI ¹	eldoLED flicker free DALI dimming to 1%																																																																							
DALIZ ³	eldoLED flicker free DALI dimming to 0%																																																																							
DMXZ	DMX dim to zero																																																																							
LTE ^{4,7}	Lutron Hi-lume 2-Wire (Triac) dimming to 1%																																																																							
LUT	Lutron Hi-lume Ecosystem dimming to 1%, Soft-on & Fade-to-Black																																																																							
LUTP ⁶	Lutron Hi-lume Premier Ecosystem dimming to 0.1%, Soft-on & Fade-to-Black																																																																							
ELV ^{4,7}	leading & trailing edge (Triac/ELV) dimming to < 10%																																																																							
ELV1 ^{4,7}	leading & trailing edge (Triac/ELV) dimming to 1%																																																																							
MOUNTING OPTIONS	<table border="0"> <tr><td>NC</td><td>new construction with ceiling fitting plate</td></tr> <tr><td>IC²</td><td>insulation contact housing</td></tr> <tr><td>ICAT²</td><td>insulation contact/airtight housing</td></tr> <tr><td>CP²</td><td>chicago plenum housing</td></tr> <tr><td>RET</td><td>retrofit, no ceiling fitting plate</td></tr> </table>	NC	new construction with ceiling fitting plate	IC ²	insulation contact housing	ICAT ²	insulation contact/airtight housing	CP ²	chicago plenum housing	RET	retrofit, no ceiling fitting plate																																																													
NC	new construction with ceiling fitting plate																																																																							
IC ²	insulation contact housing																																																																							
ICAT ²	insulation contact/airtight housing																																																																							
CP ²	chicago plenum housing																																																																							
RET	retrofit, no ceiling fitting plate																																																																							
TRIM COLOR	<table border="0"> <tr><td>BK</td><td>black</td></tr> <tr><td>WH</td><td>white</td></tr> <tr><td>MC</td><td>matte chrome</td></tr> <tr><td>BZ</td><td>bronze</td></tr> <tr><td>WT</td><td>wheat</td></tr> </table>	BK	black	WH	white	MC	matte chrome	BZ	bronze	WT	wheat																																																													
BK	black																																																																							
WH	white																																																																							
MC	matte chrome																																																																							
BZ	bronze																																																																							
WT	wheat																																																																							
BEZEL COLOR	<table border="0"> <tr><td>BK</td><td>black</td></tr> <tr><td>WH</td><td>white</td></tr> <tr><td>MC</td><td>matte chrome</td></tr> <tr><td>BZ</td><td>bronze</td></tr> <tr><td>WT</td><td>wheat</td></tr> </table>	BK	black	WH	white	MC	matte chrome	BZ	bronze	WT	wheat																																																													
BK	black																																																																							
WH	white																																																																							
MC	matte chrome																																																																							
BZ	bronze																																																																							
WT	wheat																																																																							
ELECTRICAL OPTIONS	<table border="0"> <tr><td>EM7⁵</td><td>emergency battery backup, 90 minutes at 7 watts to LED</td></tr> <tr><td>EM12⁵</td><td>emergency battery backup, 90 minutes at 12 watts to LED</td></tr> </table>	EM7 ⁵	emergency battery backup, 90 minutes at 7 watts to LED	EM12 ⁵	emergency battery backup, 90 minutes at 12 watts to LED																																																																			
EM7 ⁵	emergency battery backup, 90 minutes at 7 watts to LED																																																																							
EM12 ⁵	emergency battery backup, 90 minutes at 12 watts to LED																																																																							

ORDERING CODE _____

Follow the steps to specify your fixture, example:
NU6 - RA - SW - 30LM - 35K - 90 - D50 - 120 - DIM10 - NC - WH - WH - EM7

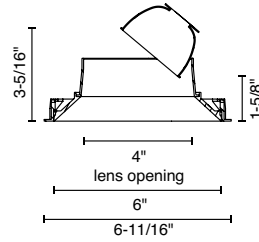
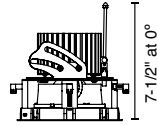
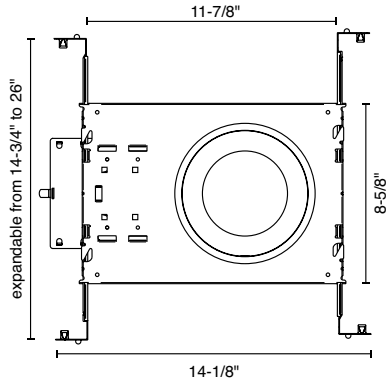
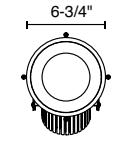
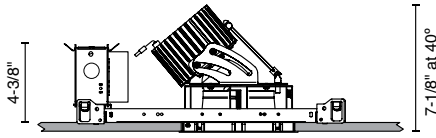
SW (LED)	POWER
DELIVERED LM	W (80/90 CRI)
630	7
830	9
1025	12
1200	14
1635	16
2000	20
2465	26
3320	32

Power Factor ≥ 0.9

- NOTES
- 90 CRI not available in 2200K or 5000K.
 - IC/ICAT/CP not available in 40LM.
 - Driver uses logarithmic dimming curve as standard. For linear dimming curve add "LIN" after dimming code, i.e. DIM10LIN.
 - Triac/ELV dimming and LTE available in 120V only.
 - For integrated test switch add "ITS" after emergency backup code, i.e. EM12ITS. Test switch is mounted in the bezel of the fixture.
 - LUTP not available in 25LM, 30LM or 40LM.
 - ELV, ELV1 and LTE not available in 07LM.

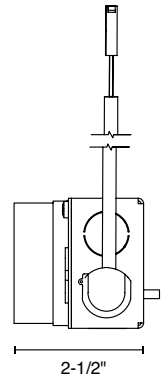
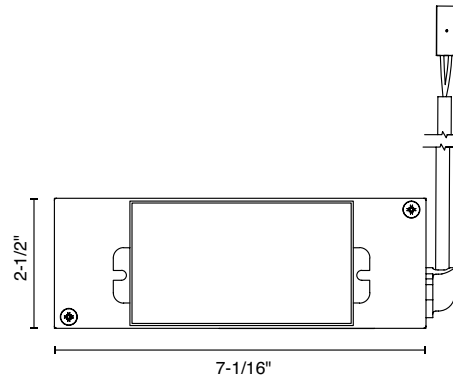
MOUNTING OPTIONS

NC - NEW CONSTRUCTION

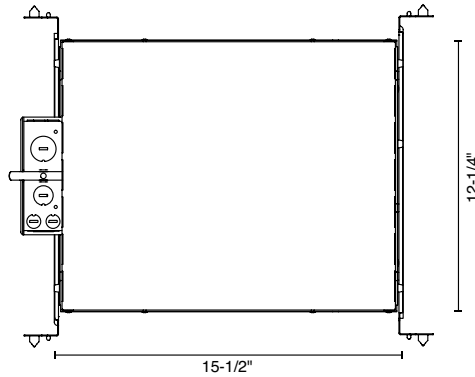
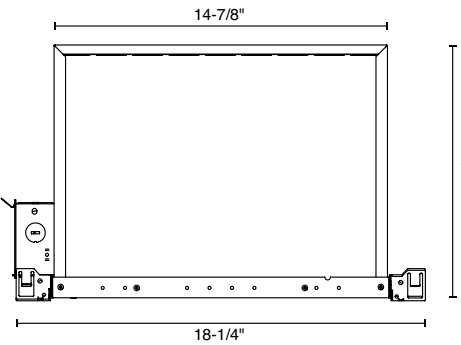


aperture dimensions

RET - RETROFIT

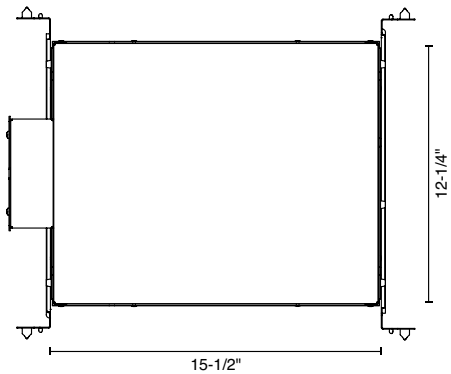
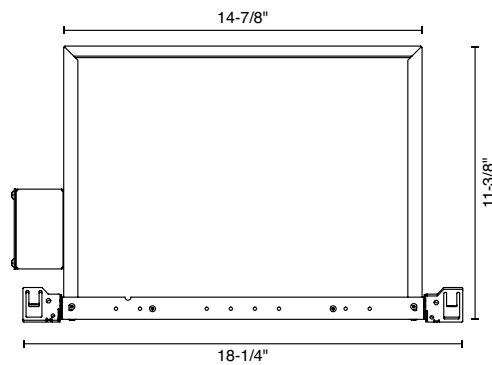


IC¹ - INSULATION CONTACT HOUSING



CP - CHICAGO PLENUM

ICAT - INSULATION CONTACT / AIR TIGHT



NOTES

1 Consult factory for smaller IC Housings when selecting lower lumen packages.