

JOB NAME _____

CONTACT _____

ORDERING CODE _____

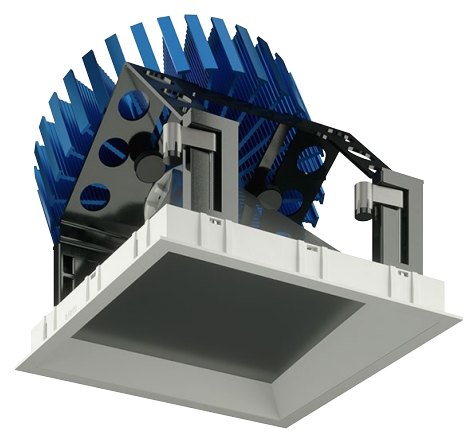


ECO NU6" Square Wall Wash

COB



eldoLED[®]
your product | our drive



DESCRIPTION

The EcoNU6QW is an economical and highly efficient spec grade 6" recessed wall wash with thoughtful construction and pleasing aesthetics. Offered standard with premium dimming using EldoLED 1% flicker free drivers 120V-277V universal voltage. A minimalistic look is achieved with an ultrathin 1/16" trim that is only 5/16" wide. Color choices of both trim and bezel are offered for a customized look. An asymmetric reflector with a highly-efficient BrightView angle-bending lens produces excellent wall washing with no scalloping.

HOUSING

Electrocoated 16-gauge cold-rolled steel provides enhanced structural reinforcement and rust prevention. Superior, UL-certified, injection-molded commercial-grade Lexan™ (PC) is used for the frame and regressed bezel trim. Lexan provides unmatched durability and impact resistance, and is tested for UV resistance and water exposure in outdoor applications. The thermally-advanced, anodized heat sink uses 6063 aluminum alloy. Wet location rated is offered standard. A 90-minute constant-power IOTA emergency battery backup is available.

MOUNTING

An advanced mounting system allows for quick and secure installation with LED and driver serviceability from below the ceiling. The LED assembly uses die-cast aluminum mounting clamp grips (MCG) that swing out to tighten onto variable ceiling thicknesses. Integrated rubber feet on each MCG provide a non-slip vibration-resistant installation. The hidden MCG system is accessible from below ceiling by removing the snap-in lens/bezel assembly with either the included suction cup or a screwdriver blade. Integrated bar hangers feature integral toothed nails, T-bar mounting slots with locking holes, tabs for joist positioning. Retrofit mounting option allows for installation from below ceiling by use of compact driver box. No risk damaging LED or bezel assembly during installation, these are installed during last steps. Fixture and driver are easily removed for servicing after install without damaging drywall.

MOUNTING DIMENSIONS	CEILING THICKNESS	CEILING CUTOUT
Trim	1/8" to 1-5/8"	6-1/4" square

New Construction Bar Hangers (included)	Mounting Length: 14-3/4" to 26"
Extension Kit p/n: K20266 (ordered separately, 1 per fixture)	Extends a pair of Bar Hangers Total Mounting Length: 29" to 48"

LISTINGS

- ETLus Listed to UL1598, cETL Listed to CSA C22.2 #250.0
- IP65 with lens - Suitable for wet locations with lens - Suitable for damp locations without lens
- Non-conductive, Lexan dead-front construction
- Made in the USA - meets the requirements of the Buy American provision within the ARRA

RATINGS / CERTIFICATIONS	NC	RET	IC	ICAT	CP
Type non-IC	✓	✓			
Type IC			✓	✓	✓
Chicago Plenum (CCEA)					✓
Suitable for air handling plenums				✓	✓
Reduced airflow (with lens) ASTM E283	✓	✓	✓	✓	✓

LED INFO

- 90 CRI: SDCM = 2-step MacAdam Ellipse, Lumen Maintenance: L₇₀ > 49,500 hrs
- 80 CRI: SDCM = 3-step MacAdam Ellipse, Lumen Maintenance: L₇₀ > 49,500 hrs

ORDERING CODE

SERIES	NU6	
TYPE	QW	square wall wash
LED	SW	static white
DELIVERED LUMENS	07LM 10LM 13LM 15LM 20LM 25LM 30LM 40LM 50LM	560 lm 800 lm 1040 lm 1250 lm 1600 lm 2130 lm 2415 lm 3210 lm 4010 lm
Calculated Delivered Lumens = [Delivered Lumen Value] x [CCT Multiplier] Standard Configuration: 3000K 80CRI		
CCT	22K 27K 30K 35K 40K 50K	2200K 2700K 3000K 3500K 4000K 5000K
	CCT	2200K 2700K 3000K 3500K 4000K 5000K
CRI	80 90 ¹	80 CRI 90 CRI
	CRI	80+ 90+ 80+ 90+ 80+ 90+ 80+ 90+ 80+ 90+ 80+ 90+
REFLECTOR	WW	wall wash with diffused angle bending lens
	VOLTAGE	120 UNV 120V-277V
DIMMING	DIM10 ³ DIM10Z ³ DALI ¹ DALIZ ³ DMXZ LTE ^{4,8} LUT ⁶ LUTP ⁷ ELV ^{4,8} ELV1 ^{4,8}	eldoLED flicker free 0-10V dimming to 1% eldoLED flicker free 0-10V dimming to 0% eldoLED flicker free DALI dimming to 1% eldoLED flicker free DALI dimming to 0% DMX dim to zero Lutron Hi-lume 2-Wire (Triac) dimming to 1% Lutron Hi-lume Ecosystem dimming to 1%, Soft-on & Fade-to-Black Lutron Hi-lume Premier Ecosystem dimming to 0.1%, Soft-on & Fade-to-Black leading & trailing edge (Triac/ELV) dimming to < 10% leading & trailing edge (Triac/ELV) dimming to 1%
	MOUNTING OPTIONS	NC IC ² ICAT ² CP ² RET
TRIM COLOR	BK WH MC BZ WT	black white matte chrome bronze wheat
	BEZEL COLOR	BK WH MC BZ WT
ELECTRICAL OPTIONS	EM7 ⁵ EM12 ⁵	emergency battery backup, 90 minutes at 7 watts to LED emergency battery backup, 90 minutes at 12 watts to LED

ORDERING CODE _____

Follow the steps to specify your fixture, example:
NU6 - QW - SW - 30LM - 35K - 90 - WW - 120 - DIM10 - NC - WH - WH - EM7

SW (LED)	POWER
DELIVERED LM	W (80/90 CRI)
560	7
800	9
1040	12
1250	14
1600	16
2130	20
2415	24
3210	32
4010	40

Power Factor ≥ 0.9

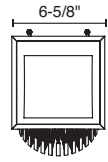
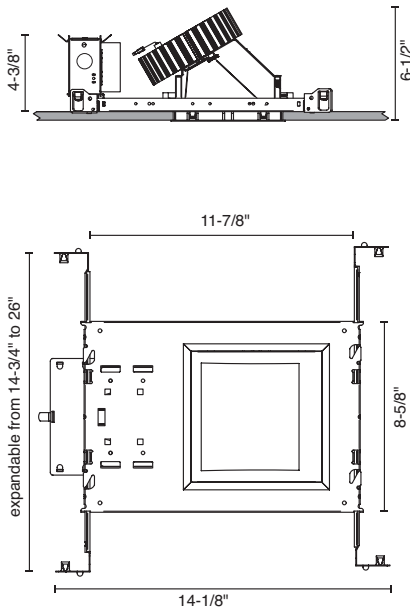
NOTES

- 90 CRI not available in 2200K or 5000K.
- IC/ICAT/CP not available in 50LM.
- Driver uses logarithmic dimming curve as standard. For linear dimming curve add "LIN" after dimming code, i.e. DIM10LIN.
- Triac/ELV dimming and LTE available in 120V only.
- For integrated test switch add "ITS" after emergency backup code, i.e. EM12ITS. Test switch is mounted in the bezel of the fixture.
- LUT not available in 50LM.
- LUTP not available in 25LM, 30LM, 40LM or 50LM.
- ELV, ELV1 and LTE not available in 07LM or 50LM.

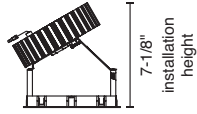
100202

MOUNTING OPTIONS

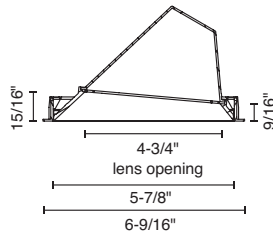
NC - NEW CONSTRUCTION



ceiling cutout
6-1/4" square



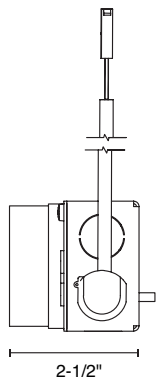
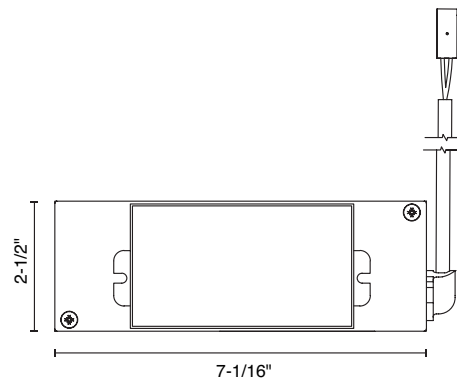
7-1/8" installation height



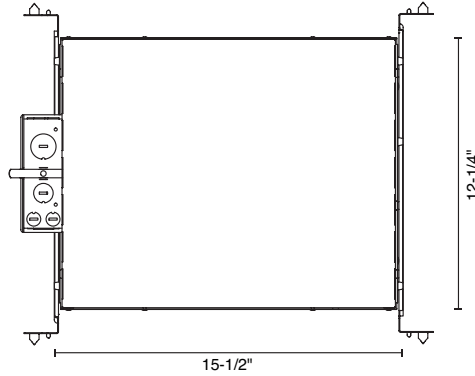
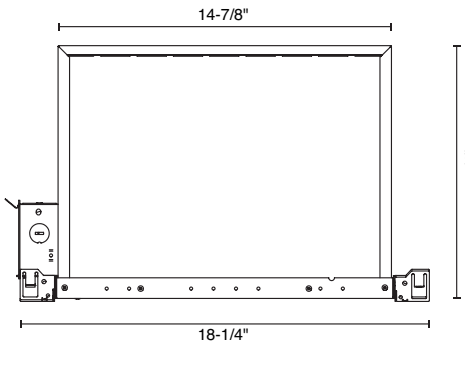
4-3/4" lens opening

6-9/16" aperture dimensions

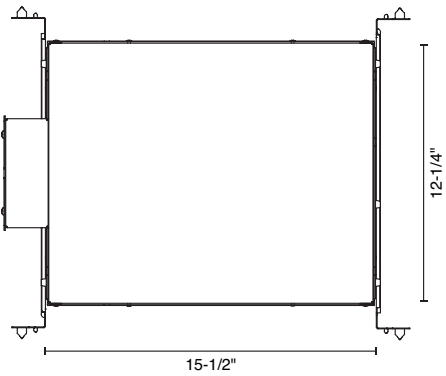
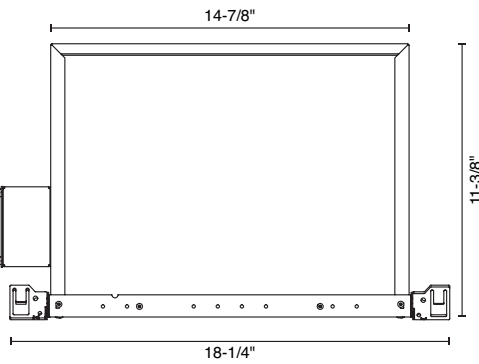
RET - RETROFIT



IC¹ - INSULATION CONTACT HOUSING



CP - CHICAGO PLENUM ICAT - INSULATION CONTACT / AIR TIGHT



NOTES

1 Consult factory for smaller IC Housings when selecting lower lumen packages.