

JOB NAME _____

CONTACT _____

ORDERING CODE _____

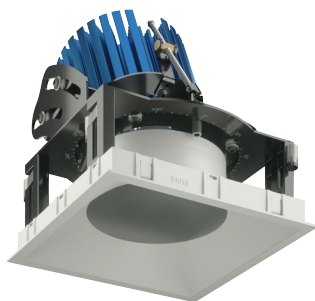


ECO NU6" Square Adjustable

COB



eldoLED[®]
your product | our drive



DESCRIPTION

The EcoNU6QA is an economical and highly efficient spec grade 6" recessed adjustable with thoughtful construction and pleasing aesthetics. Offered standard with premium dimming using EldoLED 1% flicker free drivers 120V-277V universal voltage. A minimalist look is achieved with an ultrathin 1/16" trim that is only 5/16" wide. Color choices of both trim and bezel are offered for a customized look. An adjustable hot-aiming system allows tilt adjustments from 0° to 40° with 360° rotation. The aiming adjustment and locking mechanisms are accessible from below the ceiling while the reflector is installed. A complex tilting mechanism positions the tilting axis for the maximum optical performance at all angles.

HOUSING

Electrocoated 16-gauge cold-rolled steel provides enhanced structural reinforcement and rust prevention. Superior, UL-certified, injection-molded commercial-grade Lexan™ (PC) is used for the frame and regressed bezel trim. Lexan provides unmatched durability and impact resistance, and is tested for UV resistance and water exposure in outdoor applications. The thermally-advanced, anodized heat sink uses 6063 aluminum alloy. A 90-minute constant-power IOTA emergency battery backup is available.

MOUNTING

An advanced mounting system allows for quick and secure installation with LED and driver serviceability from below the ceiling. The LED assembly uses die-cast aluminum mounting clamp grips (MCG) that swing out to tighten onto variable ceiling thicknesses. Integrated rubber feet on each MCG provide a non-slip vibration-resistant installation. The hidden MCG system is accessible from below ceiling by removing the snap-in lens/bezel assembly with either the included suction cup or a screwdriver blade. Integrated bar hangers feature integral toothed nails, T-bar mounting slots with locking holes, tabs for joist positioning. Retrofit mounting option allows for installation from below ceiling by use of compact driver box. No risk damaging LED or bezel assembly during installation, these are installed during last steps. Fixture and driver are easily removed for servicing after install without damaging drywall.

MOUNTING DIMENSIONS	CEILING THICKNESS	CEILING CUTOUT
Trim	1/8" to 1-5/8"	6-1/4" square

New Construction Bar Hangers (included)	Mounting Length: 14-3/4" to 26"
Extension Kit p/n: K20266 (ordered separately, 1 per fixture)	Extends a pair of Bar Hangers Total Mounting Length: 29" to 48"

LISTINGS

- ETLus Listed to UL 1598, cETL Listed to CSA C22.2 #250.0
- IP65 with lens - Suitable for wet locations with lens - Suitable for damp locations without lens
- Non-conductive, Lexan dead-front construction
- Made in the USA - meets the requirements of the Buy American provision within the ARRA

RATINGS / CERTIFICATIONS	NC	RET	IC	ICAT	CP
Type non-IC	✓	✓			
Type IC			✓	✓	✓
Chicago Plenum (CCEA)					✓
Suitable for air handling plenums				✓	✓
Reduced airflow (with lens) ASTM E283	✓	✓	✓	✓	✓

LED INFO

- 90 CRI: SDCM = 2-step MacAdam Ellipse, Lumen Maintenance: L₇₀ > 49,500 hrs
- 80 CRI: SDCM = 3-step MacAdam Ellipse, Lumen Maintenance: L₇₀ > 49,500 hrs

ORDERING CODE

SERIES	NU6	
TYPE	QA	square adjustable
LED	SW	static white
DELIVERED LUMENS	07LM	580 lm
	10LM	830 lm
	13LM	1080 lm
	15LM	1250 lm
	20LM	1660 lm
	25LM	2000 lm
	30LM	2500 lm
	40LM	3320 lm
	Calculated Delivered Lumens = [Delivered Lumen Value] x [CCT Multiplier] x [Reflector Multiplier]	
	Standard Configuration: 3000K 80CRI SS30	
CCT	22K	2200K CCT
	27K	2700K CCT
CCT	30K	3000K CRI
	35K	3500K CRI
	40K	4000K CRI
	50K	5000K CRI
	CCT MULTIPLIER FOR LUMEN OUTPUT	
	80+	0.85
	90+	N/A
CRI	80	80 CRI
	90 ¹	90 CRI
REFLECTOR & LM MULTIPLIER	SS30	30° semi-specular (1.00)
	SS45	45° semi-specular (0.90)
	SS60	60° semi-specular (0.99)
	D40	40° diffused (0.99)
	D50	50° diffused (0.91)
	D65	65° diffused (0.97)
VOLTAGE	120 UNV	120V 120V-277V
DIMMING	DIM10 ³	eldoLED flicker free 0-10V dimming to 1%
	DIM10Z ³	eldoLED flicker free 0-10V dimming to 0%
	DALI ⁵	eldoLED flicker free DALI dimming to 1%
	DALIZ ³	eldoLED flicker free DALI dimming to 0%
	DMXZ	DMX dim to zero
	LTE ^{4,7}	Lutron Hi-lume 2-Wire (Triac) dimming to 1%
	LUT	Lutron Hi-lume Ecosystem dimming to 1%, Soft-on & Fade-to-Black
LUTP ⁶	Lutron Hi-lume Premier Ecosystem dimming to 0.1%, Soft-on & Fade-to-Black	
ELV ^{4,7}	leading & trailing edge (Triac/ELV) dimming to < 10%	
ELV1 ^{4,7}	leading & trailing edge (Triac/ELV) dimming to 1%	
MOUNTING OPTIONS	NC	new construction with ceiling fitting plate
	IC ²	insulation contact housing
	ICAT ²	insulation contact/airtight housing
	CP ²	chicago plenum housing
	RET	retrofit, no ceiling fitting plate
TRIM COLOR	BK	black
	WH	white
	MC	matte chrome
	BZ	bronze
	WT	wheat
BEZEL COLOR	BK	black
	WH	white
	MC	matte chrome
	BZ	bronze
	WT	wheat
ELECTRICAL OPTIONS	EM7 ⁵	emergency battery backup, 90 minutes at 7 watts to LED
	EM12 ⁵	emergency battery backup, 90 minutes at 12 watts to LED

ORDERING CODE

Follow the steps to specify your fixture, example:

NU6 - QA - SW - 30LM - 35K - 90 - D50 - 120 - DIM10 - NC - WH - WH - EM7

SW (LED)	POWER
DELIVERED LM	W (80/90 CRI)
580	7
830	9
1080	12
1250	14
1660	16
2000	20
2500	26
3320	32

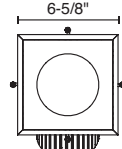
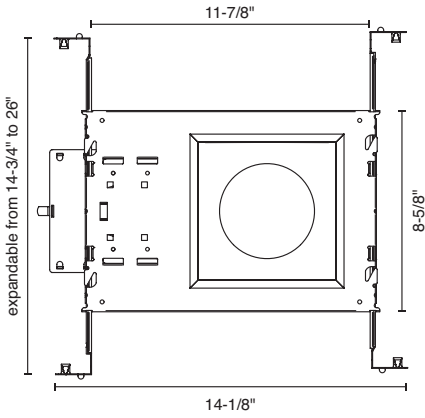
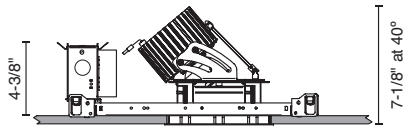
Power Factor ≥ 0.9

NOTES

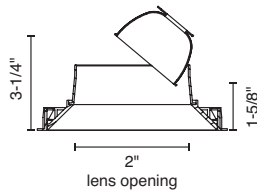
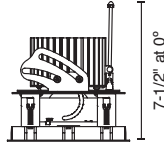
1. 90 CRI not available in 5000K.
2. IC/ICAT/CP not available in 40LM.
3. Driver uses logarithmic dimming curve as standard. For linear dimming curve add "LIN" after dimming code, i.e. DIM10LIN.
4. Triac/ELV dimming and LTE available in 120V only.
5. For integrated test switch add "ITS" after emergency backup code, i.e. EM12ITS. Test switch is mounted in the bezel of the fixture.
6. LUTP not available in 25LM, 30LM or 40LM.
7. ELV, ELV1 and LTE not available in 07LM.

MOUNTING OPTIONS

NC - NEW CONSTRUCTION

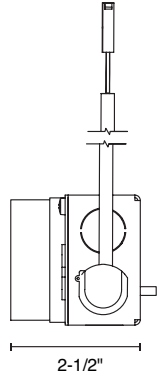
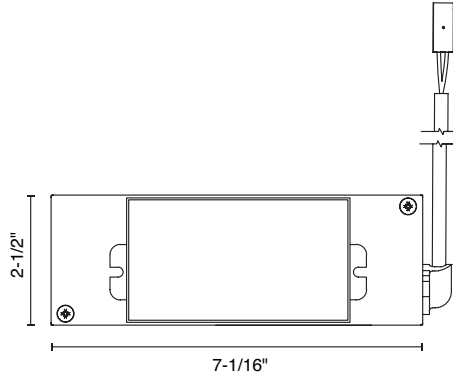


ceiling cutout
6-1/4" square

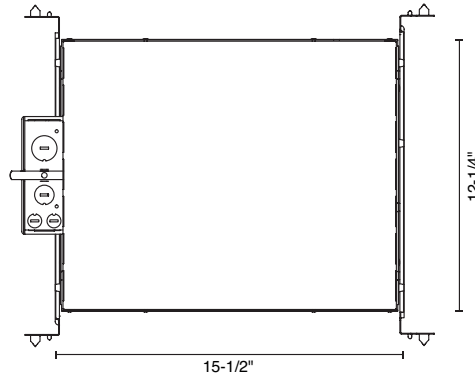
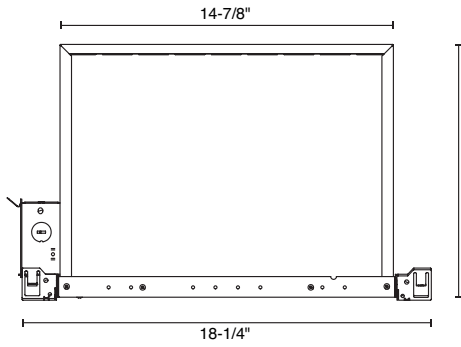


aperture dimensions
5-7/8"
6-9/16"

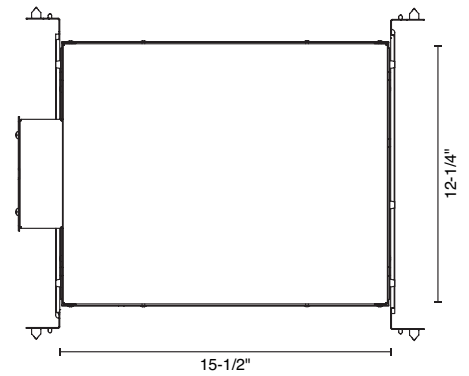
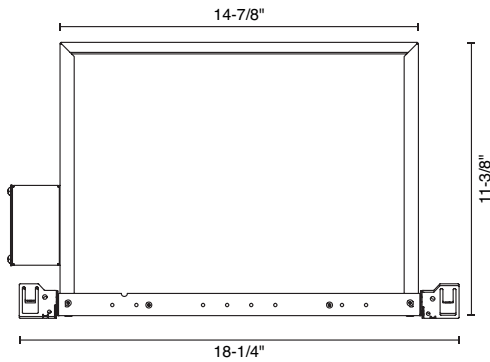
RET - RETROFIT



IC¹ - INSULATION CONTACT HOUSING



CP - CHICAGO PLENUM ICAT - INSULATION CONTACT / AIR TIGHT



NOTES
1 Consult factory for smaller IC Housings when selecting lower lumen packages.