

JOB NAME _____

CONTACT _____

ORDERING CODE _____

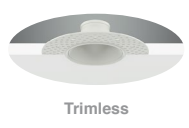


NU4" Round Downlight Hyperbolic Xicato

XICATO



eldoLED
your product | our drive



DESCRIPTION

The NU4RD Hyperbolic 4" recessed downlight by ALPHABET provides extreme cut-off for glare control applications using cutting edge LED technology. Offered standard with premium dimming using EldoLED 1% flicker free drivers 120V-277V universal voltage. Several beam angles available.

For the trim version, a minimalistic look is achieved with an ultrathin 1/16" trim that is only 5/16" wide. Color choices of both trim and hyperbolic cone are offered for a customized look and pleasing aesthetics. For the trimless version, a perforated, mud up, regressed trim assembly provides for clean, trim free installation. Perforated mud frame's integrated lip helps guide the joint compound creating a sharp and clean opening.

HOUSING

Electrocoated 16-gauge cold-rolled steel provides enhanced structural reinforcement and rust prevention. Superior, UL-certified, injection-molded commercial-grade Lexan™ (PC) is used for the frame and regressed bezel trim. Lexan provides unmatched durability and impact resistance, and is tested for UV resistance and water exposure in outdoor applications. The thermally-advanced, anodized heat sink uses 6063 aluminum alloy. A 90-minute constant-power IOTA emergency battery backup is available.

MOUNTING

An advanced mounting system allows for quick and secure installation with LED and driver serviceability from below the ceiling. The LED assembly uses die-cast aluminum mounting clamp grips (MCG) that swing out to tighten onto variable ceiling thicknesses. Integrated rubber feet on each MCG provide a non-slip vibration-resistant installation. The hidden MCG system is accessible from below ceiling by removing the snap-in lens/bezel assembly with either the included suction cup or a screwdriver blade. Integrated bar hangers feature integral toothed nails, T-bar mounting slots with locking holes, tabs for joist positioning. Retrofit mounting option allows for installation from below ceiling by use of compact driver box. No risk damaging LED or bezel assembly during installation, these are installed during last steps. Fixture and driver are easily removed for servicing after install without damaging drywall.

MOUNTING DIMENSIONS	CEILING THICKNESS	CEILING CUTOUT
Trim	1/8" to 1-5/8"	4-3/8" diameter
Trimless	3/8" to 1-3/4"	4-1/2" diameter
Millwork (Trimless)	1/2" to 1-3/4"	4-3/8" diameter

New Construction Bar Hangers (included)	Mounting Length: 14-3/4" to 26"
Extension Kit p/n: K20266 (ordered separately, 1 per fixture)	Extends a pair of Bar Hangers Total Mounting Length: 29" to 48"

LISTINGS

- ETLus Listed to UL1598, cETL Listed to CSA C22.2 #250.0
- Suitable for damp locations without lens
- Non-conductive, Lexan dead-front construction
- Made in the USA - meets the requirements of the Buy American provision within the ARRA

RATINGS / CERTIFICATIONS	NC	RET	IC	ICAT	CP
Type non-IC	✓	✓			
Type IC			✓	✓	✓
Chicago Plenum (CCEA)					✓
Suitable for air handling plenums				✓	✓
Reduced airflow (with lens) ASTM E283	✓	✓	✓	✓	✓

LED INFO

- SDCM = 1X2 MacAdam Ellipse, Duv +/- 0.001, Lumen Maintenance: L₉₀ > 55,000 hrs

XICATO XTM MODULE - ORDERING CODE

SERIES	NU4	
TYPE	RH RHT RHTMW	round hyperbolic round hyperbolic trimless round hyperbolic trimless millwork
LED	XTM19	Xicato XTM 19mm
DELIVERED LUMENS	07LM 10LM 13LM 20LM 30LM 40LM	565 lm 830 lm 1075 lm 1620 lm 2430 lm 3210 lm <small>Standard Configuration: 3000K 83CRI</small>
CCT	27K 30K 35K 40K	2700K 3000K 3500K 4000K
CRI	83 98 ¹	83 CRI 98 CRI
REFLECTOR & CUTOFF ANGLE	S30 WHS30 BKS30 BKD45 WHS45 WHD50	specular hyperbolic cone with 30° specular reflector, 75° cutoff angle white hyperbolic cone with 30° specular reflector, 70° cutoff angle black hyperbolic cone with 30° specular reflector, 70° cutoff angle black hyperbolic cone with 45° specular reflector, 80° cutoff angle black hyperbolic cone with 45° diffused reflector, 80° cutoff angle white hyperbolic cone with 45° specular reflector, 105° cutoff angle white hyperbolic cone with 50° diffused reflector, 115° cutoff angle 15° narrow beam angle, see page 2 for details.
VOLTAGE	120 UNV	120V 120V-277V
DIMMING	DIM10 ⁴ DIM10Z ⁴ DALI ⁸ DALIZ ⁴ DMXZ LTE ^{6,8} LUT ⁶ LUTP ⁷ ELV ^{5,8}	eldoLED flicker free 0-10V dimming to 1% eldoLED flicker free 0-10V dimming to 0% eldoLED flicker free DALI dimming to 1% eldoLED flicker free DALI dimming to 0% DMX dim to zero Lutron Hi-lume 2-Wire (Triac) dimming to 1% Lutron Hi-lume Ecosystem dimming to 1%, Soft-on & Fade-to-Black Lutron Hi-lume Premier Ecosystem dimming to 0.1%, Soft-on & Fade-to-Black leading & trailing edge dimming (Triac/ELV)
MOUNTING OPTIONS	NC IC ² ICAT ² CP ² RET	new construction with ceiling fitting plate insulation contact housing insulation contact/airtight housing chicago plenum housing retrofit, no ceiling fitting plate
TRIM COLOR	WH MC BK BZ WT	white matte chrome black bronze wheat <small>Not applicable to trimless option. Do not include in trimless ordering code.</small>
ELECTRICAL OPTIONS	EM7 EM12 ³	emergency battery backup, 90 minutes at 7W to LED emergency battery backup, 90 minutes at 12W to LED

ORDERING CODE

Follow the steps to specify your fixture, example:
NU4 - RH - XTM19 - 13LM - 35K - 98 - WHD50 - 120 - DIM10 - NC - WH - EM7

XTM19 (LED)	POWER	
	DELIVERED LM	W (83 CRI)
565	9	10
830	11	14
1075	15	19
1620	23	30
2430	34	40
3210	46	N/A

Power Factor ≥ 0.9

NOTES

1. 98CRI not available for 40LM.
2. IC/ICAT/CP not available for 98CRI in 30LM or 83/98CRI in 40LM.
3. EM12 not available for 83CRI in 07LM, 10LM or 13LM.
4. Driver uses logarithmic dimming curve as standard. For linear dimming curve add "LIN" after dimming code, i.e. DIM10LIN.
5. Triac/ELV dimming available for 83/98CRI in 10LM, 13LM, 20LM, & 83CRI only in 30LM. Dimmable to < 10% in 10LM, 13LM. Dimmable to < 1% in 20LM, 30LM.
6. LTE/LUT not available in 40LM.
7. LUTP not available in 20LM, 30LM, or 40LM.
8. Triac/ELV dimming and LTE available in 120V only.

15° NARROW BEAM - ORDERING CODE

SERIES	NU4	
TYPE	RH RHT RHTMW	round hyperbolic round hyperbolic trimless round hyperbolic trimless millwork
LED	XTM09	Xicato XTM 9mm
DELIVERED LUMENS	07LM 10LM 13LM 20LM	765 lm 975 lm 1220 lm 1900 lm Standard Configuration: 3000K 83CRI
CCT	27K 30K 35K 40K	2700K 3000K 3500K 4000K
CRI	83 98¹	83 CRI 98 CRI
REFLECTOR & CUTOFF ANGLE	S15 BKS15 WHS15	specular hyperbolic cone with 15° specular reflector, 60° cutoff angle black hyperbolic cone with 15° specular reflector, 60° cutoff angle white hyperbolic cone with 15° specular reflector, 60° cutoff angle
VOLTAGE	120 UNV	120V 120V-277V
DIMMING	DIM10⁴ DIM10Z⁴ DALI⁴ DALIZ⁴ DMXZ LTE⁵ LUT LUTP⁶ ELV⁵	eldoLED flicker free 0-10V dimming to 1% eldoLED flicker free 0-10V dimming to 0% eldoLED flicker free DALI dimming to 1% eldoLED flicker free DALI dimming to 0% flicker free DMX dimming to 0% Lutron Hi-lume 2-Wire (Triac) dimming to 1% Lutron Hi-lume EcoSystem dimming to 1%, Soft-on & Fade-to-Black Lutron Hi-lume Premier EcoSystem dimming to 0.1%, Soft-on & Fade-to-Black, leading & trailing edge dimming (Triac/ELV)
MOUNTING OPTIONS	NC IC² ICAT² CP² RET	new construction with ceiling fitting plate insulation contact housing insulation contact/airtight housing chicago plenum housing retrofit, no ceiling fitting plate
TRIM COLOR	WH MC BK BZ WT	white matte chrome black bronze wheat Not applicable to trimless option. Do not include in trimless ordering code.
ELECTRICAL OPTIONS	EM7 EM12³	emergency battery backup, 90 minutes at 7 watts to LED emergency battery backup, 90 minutes at 12 watts to LED

ORDERING CODE

Follow the steps to specify your fixture, example:

NU4 - RH - XTM09 - 13LM - 35K - 98 - S15 - 120 - DIM10 - NC - WH - EM7

XTM09 (LED)	POWER	
	W (83 CRI)	W (98 CRI)
765	11	12
975	19	20
1220	22	22
1900	28	N/A

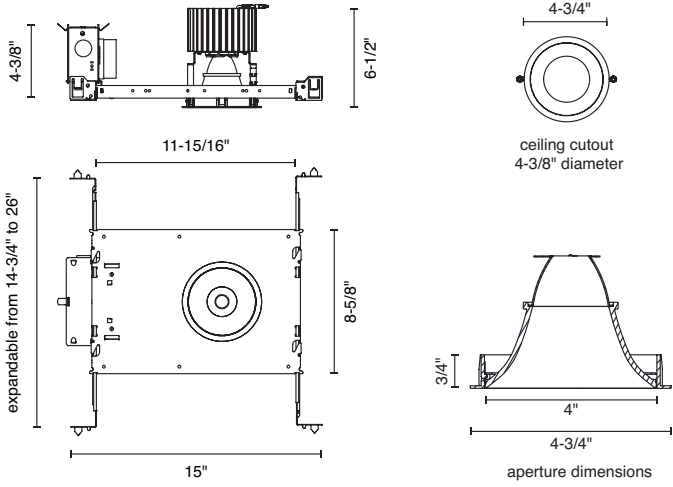
Power Factor ≥ 0.9

NOTES

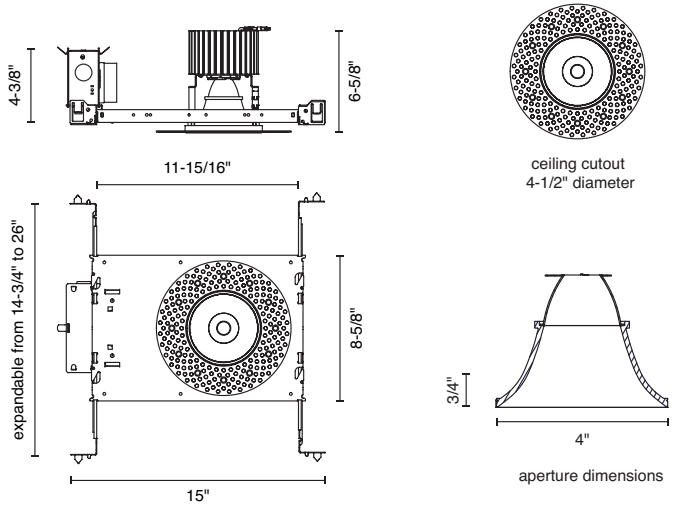
- 98CRI not available for 20LM.
- IC/ICAT/CP not available for 98CRI in 20LM.
- EM12 not available for 83CRI in 07LM or 10LM.
- Driver uses logarithmic dimming curve as standard. For linear dimming curve add "LIN" after dimming code, i.e. DIM10LIN.
- Triac/ELV dimming to < 1% in 120V only. LTE available in 120V only.
- LUTP not available in 13LM or 20LM.

MOUNTING OPTIONS

**NC - NEW CONSTRUCTION
TRIM**

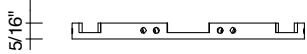
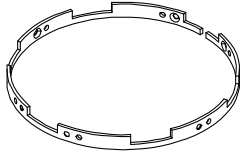


**NC - NEW CONSTRUCTION
TRIMLESS**



MOUNTING OPTIONS (CONTINUED)

**RHTMW – MILLWORK
TRIMLESS**



Millwork Mounting Bracket

NOTES

- 1 Ceiling cutout 4-3/8".
- 2 Millwork Mounting Bracket & Mounting Screws are included with each Luminaire.
- 3 One Plastic Spacer and two C-Clamps are included with each order.
- 4 Refer to Installation Instructions for further details.



1. Insert Millwork Mounting Bracket using the included Plastic Spacer for proper depth positioning.



2. Use the included C-Clamps to temporarily hold the Plastic Spacer in position. Fasten the included wood screws into the Mounting Bracket using a right-angle impact driver (supplied by others).



3. Remove Plastic Spacer.



4. Install Luminaire.

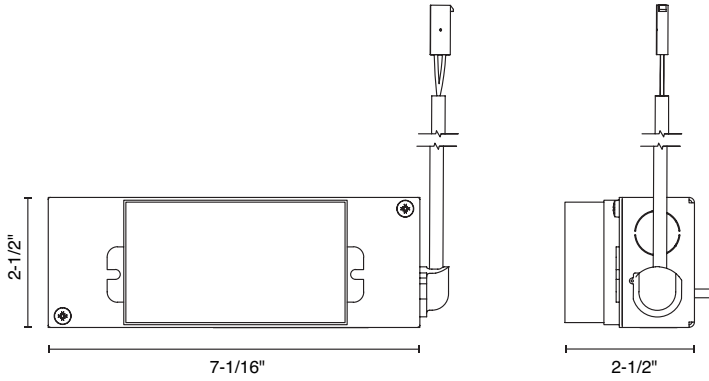


5. Insert Bezel to finish the installation.

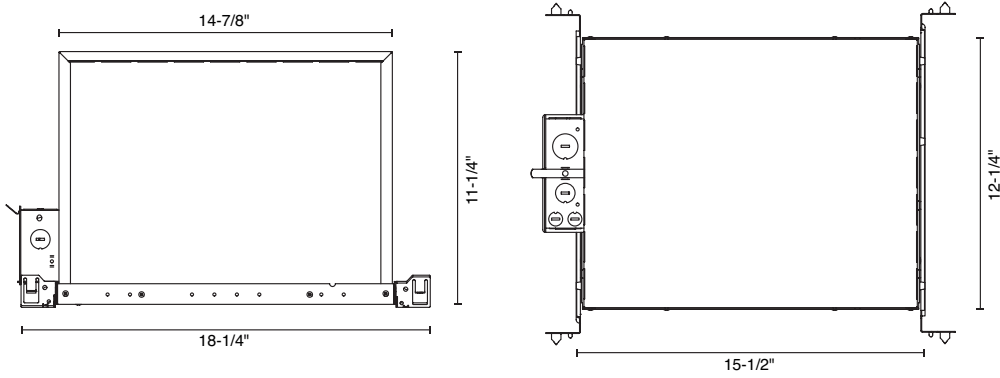


MOUNTING OPTIONS (CONTINUED)

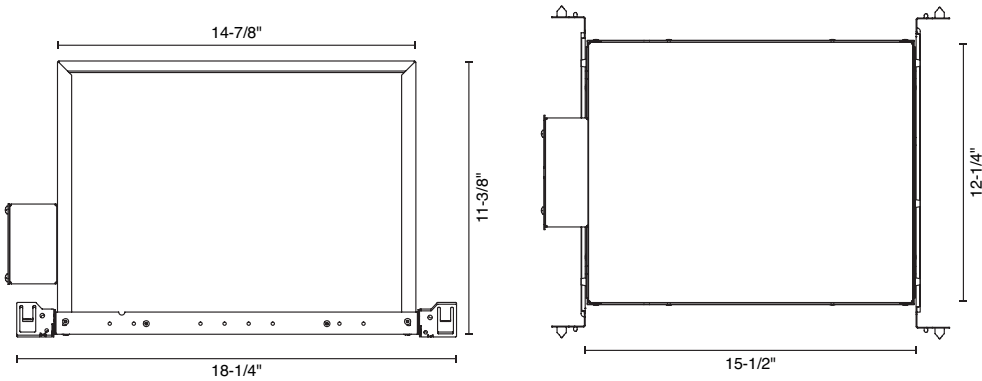
**RET - RETROFIT
TRIM/TRIMLESS**



**IC¹ - INSULATION CONTACT HOUSING
TRIM/TRIMLESS**



**CP - CHICAGO PLENUM
ICAT - INSULATION CONTACT / AIR TIGHT
TRIM/TRIMLESS**



NOTES

1 Consult factory for smaller IC Housings when selecting lower lumen packages.