

| PROJECT INFORMATION | | |
|---------------------|--|------|
| JOB NAME | | TYPE |
| ORDERING CODE | | |

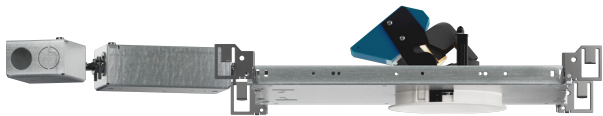
NU4 LOPRO

Round Adjustable Warm Dim

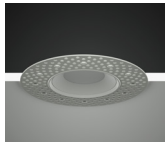


| 15° - 30° BEAM (Note: Specifications are subject to change without notice) | | |
|---|--|----------------|
| 9mm COB PERFORMANCE DATA | | |
| LED LIGHT ENGINE | NOMINAL DELIVERED LUMENS | SYSTEM WATTAGE |
| 10LM | 730LM @30K/97CRI | 13W |
| 15LM | 1030LM @30K/97CRI | 19W |
| Notes | Delivered lumens based on 30D optic with no lens, (see page 2) | |

| 30° - 35° BEAM (Note: Specifications are subject to change without notice) | | |
|---|--|----------------|
| 14mm COB PERFORMANCE DATA | | |
| LED LIGHT ENGINE | NOMINAL DELIVERED LUMENS | SYSTEM WATTAGE |
| 20LM | 1460LM @30K/97CRI | 26W |
| Notes | Delivered lumens based on 30D optic with no lens, (see page 2) | |



Trim



Trimless



Trimless Millwork

FEATURES

- True 40° Tilt with <5% beam disruption (clipping)
- Zero ceiling line obstruction at Full Tilt
- Concentric Tilt Tracking ensures minimal light loss
- 15° - 35° optical beam control
- UGR <5
- Multiple mounting, glare control options, trims, and finishes available

DIMMING AND CONTROLS

- eLdoLED flicker free 0-10V dimming to 0% and 1%
- eLdoLED flicker free DALI dimming to 0% and 1%
- DMX dim to zero
- Leading & trailing edge (Triac/ELV) dimming to 1%
- Casambi bluetooth dimming to 0.1%
- NLight control interface dimming to 0%

CONSTRUCTION

- Shatter proof acrylic bezel lens
- Lexan Optimized for wireless signal controls
- Electrocoated 16-gauge cold-rolled steel construction
- Accommodates ceiling thickness from 0.4" to 2.0"

LED

- Luminus Dim-to-warm COB:
97 CRI; SDCM = 3-step MacAdam Ellipse; Lumen Maintenance: L₇₀ > 54,000 hrs
- Dim to Warm from 3000K - 1800K

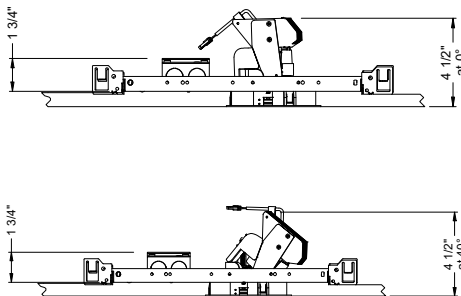
LISTING

- ULus Listed to UL1598 & UL2108; cUL Listed to CSA C22.2 #250.0
- IP65 with lens - Suitable for wet locations with lens - Suitable for damp locations without lens
- Dead-front construction (Shower Approved)
- Made in the USA - meets the requirements of the Buy American provision within the ARRA
- NSF/ANSI-2 Listed, with lens
- 5 Year Limited warranty

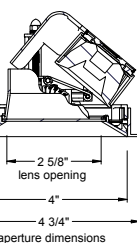
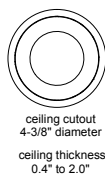
ELECTRICAL

- 120V only Triac/ELV, 120V-277V
- Power factor ≥ 0.9
- 2kV driver input surge protection
- Remote emergency test switch
- 7W, 10W (T20 CEC) and 12W EM 90min battery
- Max. ambient installation temperature 95°F (35°C)

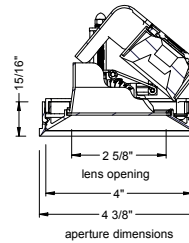
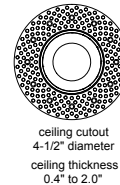
FIXTURE HEIGHT



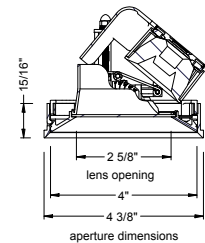
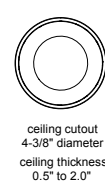
TRIMMED



TRIMLESS



MILLWORK



alphabet

| PROJECT INFORMATION | | |
|---------------------|--|------|
| JOB NAME | | TYPE |
| ORDERING CODE | | |

15° - 50° BEAM ORDERING CODE

| SERIES | NU4 | NU4 | | | | | | | | | | | | | | | | | | | | | | | | | | | | |
|--|---|---|--------------------------|--|--|--|-----|------|------|------|------|------|------|------|-----|------|------|------|-----|------|------|------|-----|------|------|------|----|------|------|------|
| TYPE | RALP RATLP RATMWLP | round adjustable lopro round adjustable trimless lopro round adjustable trimless millwork lopro | | | | | | | | | | | | | | | | | | | | | | | | | | | | |
| LED | WD | warm dim (Luminus) | | | | | | | | | | | | | | | | | | | | | | | | | | | | |
| DELIVERED LUMENS | 10LM 15LM 20LM | 730 lm 1030 lm 1460 lm | | | | | | | | | | | | | | | | | | | | | | | | | | | | |
| | Standard Configuration: 3000K 97CRI 30D NL Calculated Delivered Lumens = [Delivered Lumen Value] x [CCT Multiplier] x [Optic Multiplier] x [Lens Multiplier] | | | | | | | | | | | | | | | | | | | | | | | | | | | | | |
| CCT | 3018 ¹ | 3000K, dim to 1800K <table border="1"> <thead> <tr> <th colspan="4">CCT at Light Level (%LF)</th> </tr> <tr> <th>%LF</th> <th>20LM</th> <th>15LM</th> <th>10LM</th> </tr> </thead> <tbody> <tr> <td>100%</td> <td>3000</td> <td>3000</td> <td>3000</td> </tr> <tr> <td>50%</td> <td>3000</td> <td>3000</td> <td>2800</td> </tr> <tr> <td>25%</td> <td>2800</td> <td>2500</td> <td>2300</td> </tr> <tr> <td>10%</td> <td>2200</td> <td>2000</td> <td>1900</td> </tr> <tr> <td>5%</td> <td>1800</td> <td>1800</td> <td>1800</td> </tr> </tbody> </table> | CCT at Light Level (%LF) | | | | %LF | 20LM | 15LM | 10LM | 100% | 3000 | 3000 | 3000 | 50% | 3000 | 3000 | 2800 | 25% | 2800 | 2500 | 2300 | 10% | 2200 | 2000 | 1900 | 5% | 1800 | 1800 | 1800 |
| CCT at Light Level (%LF) | | | | | | | | | | | | | | | | | | | | | | | | | | | | | | |
| %LF | 20LM | 15LM | 10LM | | | | | | | | | | | | | | | | | | | | | | | | | | | |
| 100% | 3000 | 3000 | 3000 | | | | | | | | | | | | | | | | | | | | | | | | | | | |
| 50% | 3000 | 3000 | 2800 | | | | | | | | | | | | | | | | | | | | | | | | | | | |
| 25% | 2800 | 2500 | 2300 | | | | | | | | | | | | | | | | | | | | | | | | | | | |
| 10% | 2200 | 2000 | 1900 | | | | | | | | | | | | | | | | | | | | | | | | | | | |
| 5% | 1800 | 1800 | 1800 | | | | | | | | | | | | | | | | | | | | | | | | | | | |
| CRI | 97 | 97 CRI | | | | | | | | | | | | | | | | | | | | | | | | | | | | |
| OPTIC & LM MULTIPLIER SEE PAGE 3 | 15D ² 25D ² 30D ³ 35D ³ | 15 degrees 25 degrees 30 degrees 35 degrees | | | | | | | | | | | | | | | | | | | | | | | | | | | | |
| TIR OPTIC ACCESSORY SEE PAGE 3 | NA HCL HETA | no accessory honeycomb louver high efficiency textured lens, similar to Solite™ | | | | | | | | | | | | | | | | | | | | | | | | | | | | |
| | Attached to TIR optic, active | | | | | | | | | | | | | | | | | | | | | | | | | | | | | |
| BEZEL LENS SEE PAGE 3 | NL ⁵ CL DL HET SBL EA ⁴ | no lens clear lens diffused lens high efficiency textured lens, similar to Solite™ smoothing beam lens elliptical lens | | | | | | | | | | | | | | | | | | | | | | | | | | | | |
| TRIM COLOR SEE PAGE 3 | BK WH MC BZ WT | black white matte chrome bronze wheat | | | | | | | | | | | | | | | | | | | | | | | | | | | | |
| | Not applicable to trimless option. Do not include in trimless ordering code. | | | | | | | | | | | | | | | | | | | | | | | | | | | | | |
| BEZEL COLOR SEE PAGE 3 | BK WH MC BZ WT | black (0.98) white (1.00) matte chrome (0.99) bronze (0.98) wheat (0.99) | | | | | | | | | | | | | | | | | | | | | | | | | | | | |

15° - 50° BEAM ORDERING CODE

| | | |
|--|--------------------------------------|---|
| MOUNTING OPTIONS SEE PAGE 5, 6 | NC IC ⁶ RET | new construction with ceiling fitting plate insulation contact housing retrofit, no ceiling fitting plate |
| VOLTAGE | 120 UNV | 120V 120V-277V |
| DIMMING | DIM10 ELV1 ⁷ | standard 0-10V dimming to 1% leading & trailing edge (Triac/ELV) dimming to 1% |
| ELECTRICAL OPTIONS | EM7 EM12 ⁸ EM10CA20 | emergency battery backup, 90 minutes at 7W to LED emergency battery backup, 90 minutes at 12W to LED remote emergency battery backup, 90 minutes at 10W to LED, CA title 20 |
| SPECIAL SEE PAGE 6 | TC | thick ceiling application |

ADDITIONAL MOUNTING INFO

| | |
|---|---|
| New Construction Bar Hangers (included) | Mounting Length: 14-3/4" to 26" |
| Extension Kit p/n: K20266 (ordered separately, 1 per fixture) | Extends a pair of Bar Hangers Total Mounting Length: 29" to 48" |

YOUR COMPLETED ORDERING CODE

| |
|--|
| Follow the steps to specify your fixture, example: |
| NU4 - RALP - WD - 20LM - 3018 - 97 - 30D - NA - HET - WH - WH - NC - UNV - DIM10 - EM7 - TC |

Power Factor ≥ 0.9

NOTES

- Values shown are for reference only. Actual CCT may vary.
- 10LM and 15LM only available in 15D or 25D optics
- 20LM only available in 30D and 35D optics.
- Elliptical lens actual beam distributions for optic [15D= 35° x 60°, 25D= 40° x 65°, 30D= 40° x 70°, 35D= 45° x 70°, 40D= 50° x 75°, 50D= 55° x 80°
- NL option does not meet requirement for dead-front, airtight, wet and NSF. It is damp location rated.
- IC not available in 20LM.
- Triac/ELV dimming available in 120V only.
- EM12 not available in 10LM

alphabet

| PROJECT INFORMATION | | |
|---------------------|--|------|
| JOB NAME | | TYPE |
| ORDERING CODE | | |

TRIM OPTIONS

TRIM/BEZEL COLORS



OPTICAL OPTIONS

- UGR calculation based on CIE 117-1995; room size: 4H X 8H, reflectance: 70/50/20;
- UGR calculation based on 15LM fixtures, unless otherwise noted.

TIR OPTIC ACCESSORY Honeycomb Louver



| OPTIC | BEAM ANGLE | UGR |
|-------|------------|-----|
| 15D | 17 | ≤5 |
| 25D | 22.4 | ≤5 |
| 30D | 29.8 | ≤5 |
| 35D* | 33.5 | ≤5 |

NL No Lens



| OPTIC | BEAM ANGLE | UGR |
|-------|------------|-----|
| 15D | 16.2 | ≤5 |
| 25D | 23.2 | ≤5 |
| 30D | 30.8 | ≤5 |
| 35D* | 34.8 | 8.3 |

CL Clear Lens



| OPTIC | BEAM ANGLE | UGR |
|-------|------------|-----|
| 15D | 16.2 | ≤5 |
| 25D | 23.2 | ≤5 |
| 30D | 30.8 | ≤5 |
| 35D* | 34.9 | 8.5 |

DL Diffused Lens



| OPTIC | BEAM ANGLE | UGR |
|-------|------------|------|
| 15D | 36.8 | 14.7 |
| 25D | 39.2 | 15.8 |
| 30D | 42.6 | 16.6 |
| 35D* | 46 | 19.4 |

HET High Efficiency Textured Lens



| OPTIC | BEAM ANGLE | UGR |
|-------|------------|------|
| 15D | 22 | ≤5 |
| 25D | 26.4 | 6.7 |
| 30D | 31.8 | 8 |
| 35D* | 35.7 | 12.2 |

SBL Smoothing Beam Lens



| OPTIC | BEAM ANGLE | UGR |
|-------|------------|-----|
| 15D | 18.2 | ≤5 |
| 25D | 23.8 | 5.3 |
| 30D | 31 | 5.6 |
| 35D* | 34.3 | 9.5 |

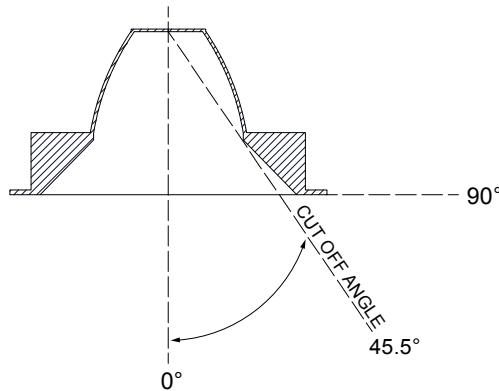
GLARE CONTROL

CUT-OFF ANGLE

Visual comfort is achieved with a lower cut-off angle due to improved glare control. The smaller the cut-off angle, the easier it is on the eye.

Alphabet downlights have been thoughtfully engineered to eliminate glare while still delivering functional illumination.

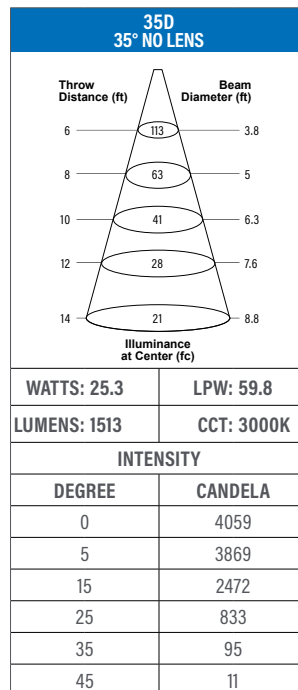
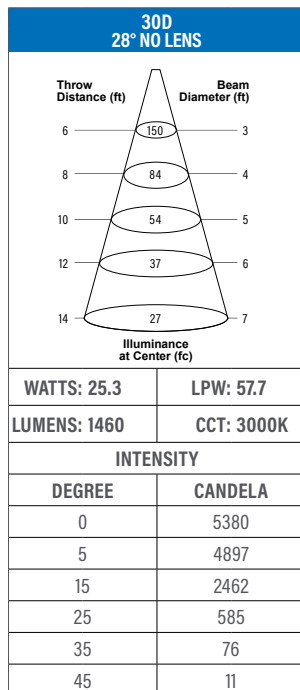
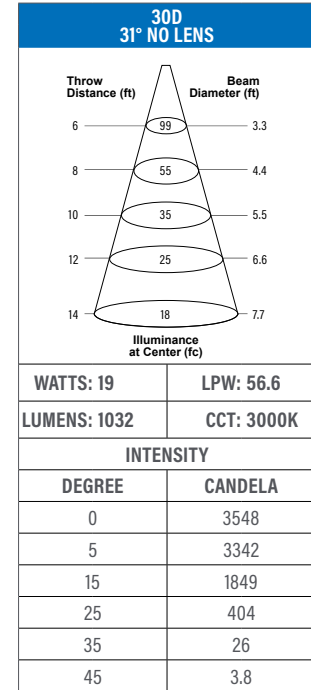
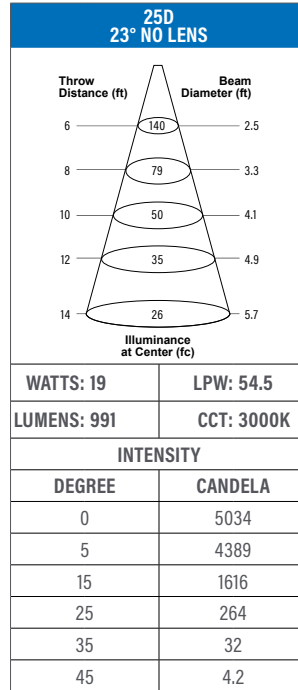
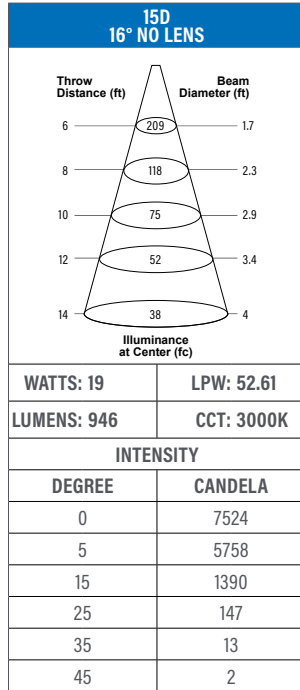
- Cutoff angle of CL is 45.5 degrees;



alphabet

| PROJECT INFORMATION | | |
|---------------------|--|------|
| JOB NAME | | TYPE |
| ORDERING CODE | | |

PHOTOMETRIC DATA

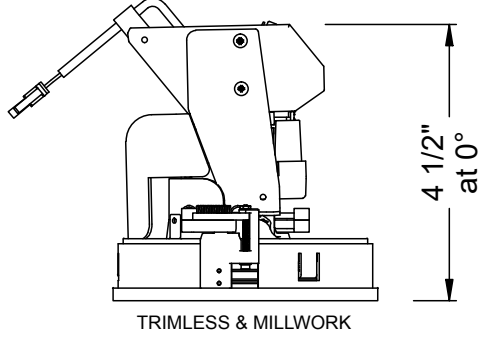
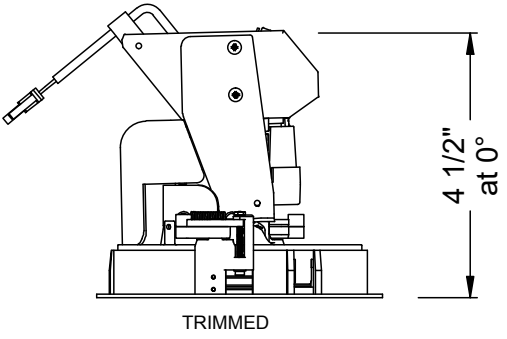


alphabet

| PROJECT INFORMATION | | |
|---------------------|------|--|
| JOB NAME | TYPE | |
| ORDERING CODE | | |

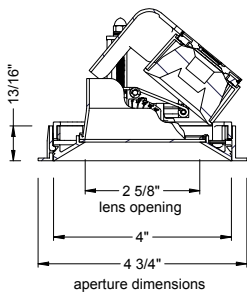
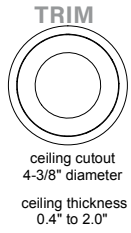
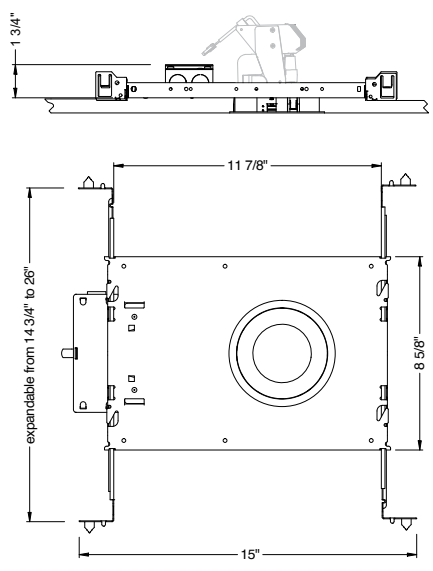
MOUNTING OPTIONS

FIXTURE HEIGHT

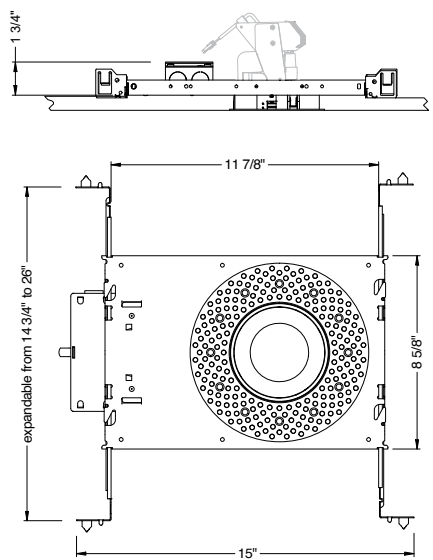


NC - NEW CONSTRUCTION

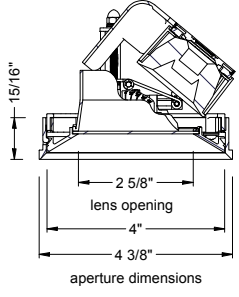
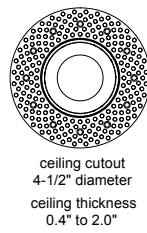
TRIM



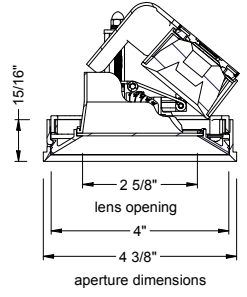
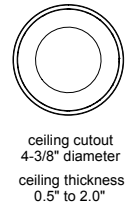
TRIMLESS



TRIMLESS



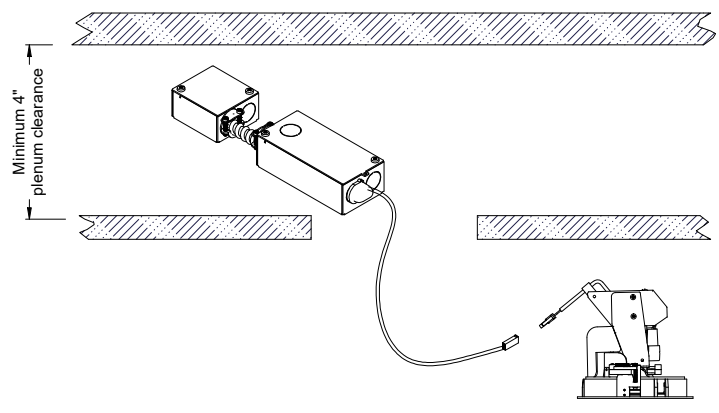
TRIMLESS/MILLWORK



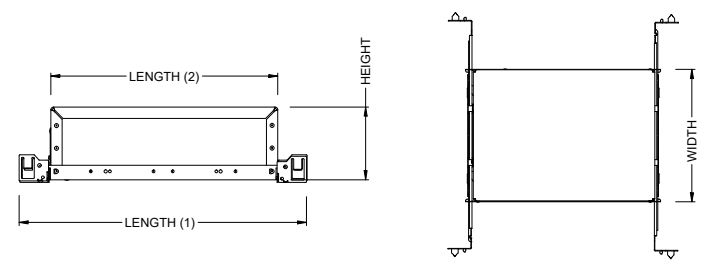
| PROJECT INFORMATION | | |
|---------------------|--|------|
| JOB NAME | | TYPE |
| ORDERING CODE | | |

MOUNTING OPTIONS (CONTINUED)

RET - RETRO TRIM/TRIMLESS



IC - INSULATION CONTACT HOUSING



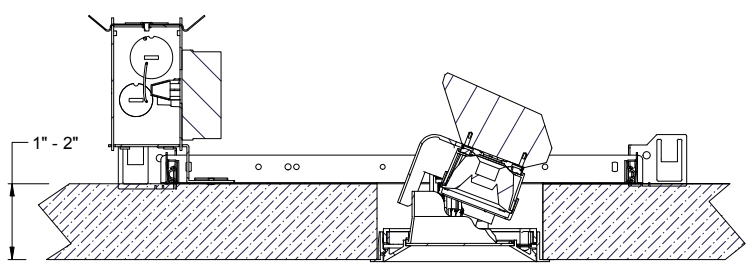
| BOX SIZE | L 1 | L 2 | W | H |
|----------|------------|-----------|----------|----------|
| A | 15 - 7/16" | 11 - 3/4" | 8 - 1/2" | 3 - 3/4" |

| RATINGS / CERTIFICATIONS | NC | RET | IC |
|---------------------------------------|----|-----|----|
| TYPE NON-IC | ✓ | ✓ | |
| TYPE IC | | | ✓ |
| CHICAGO PLENUM (CCEA) | | | ✓ |
| SUITABLE FOR AIR HANDLING PLENUMS | ✓ | ✓ | ✓ |
| REDUCED AIRFLOW (WITH LENS) ASTM E283 | ✓ | ✓ | ✓ |

| BOX TYPE / LUMEN OUTPUT - STANDARD BEAMS (15° - 35°) | | | |
|--|---------|----|------|
| LUMEN OUTPUT | BOX - A | | |
| | CP | IC | ICAT |
| 10LM | | ✓ | |
| 15LM | | ✓ | |
| 20LM | | | |

| CEILING THICKNESS | |
|---------------------|----------------------------|
| FIXTURE TYPE | MOUNTING TYPE |
| | |
| | STANDARD CEILING THICKNESS |
| TRIM | 0.5" to 1.1" |
| TRIMLESS | 0.5" to 1.1" |
| MILLWORK (TRIMLESS) | 0.5" to 1.1" |

TC - THICK CEILING (1" TO 2") APPLICATION TRIM/TRIMLESS



| THICK CEILING FIXTURE INFO | | |
|----------------------------|----------|-------------------|
| TILT | ROTATION | CEILING THICKNESS |
| 0° - 20° | 360° | UP TO 2" |
| 20° - 30° | 160° | UP TO 2" |
| 30° - 40° | 160° | UP TO 1.625" |

| PROJECT INFORMATION | | |
|---------------------|--|------|
| JOB NAME | | TYPE |
| ORDERING CODE | | |

BATTERY OPTIONS

EMERGENCY BATTERY

IOTA's ILB Battery Backups are UL Listed LED emergency drivers that allow the same LED fixture to be used for both normal and emergency operation. In the event of a power failure, the ILB switches to the emergency mode and operates the existing fixture for 90 minutes. The unit contains a battery, charger, and converter circuit in a single can. The Constant Power design of the ILB maintains the output wattage to the LED array even as the system voltage diminishes. UL 924 Listed for U.S. and Canada. UL 1310 Certified, Output Class 2 Compliant. Includes single-piece TBTS test switch and charge indicator accessory kit. For use with switched and unswitched fixtures, and includes Two-wire universal AC input. Meets or exceeds all National Electric Code and Life Safety Code Emergency Lighting Requirements. Rated for use in Plenum, Damp Location, Recessed Type IC, and Enclosed and Gasketed Luminaires.

REMOTE TEST SWITCH

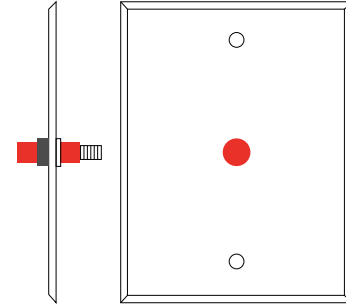
The Remote Test Switch may be mounted adjacent to the LED Fixture by others.

EMERGENCY BATTERY ACCESS

Above ceiling access is required for service. An access panel in the ceiling (or other form of access) adjacent to the installation location of the Emergency Battery is required.

REMOTE LOCATION

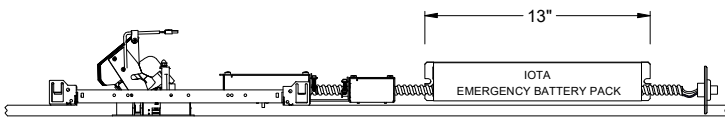
Maximum remote mounting distance of the emergency driver shall be 50 feet. Remote location wiring provided by others. Follow all Local and National Electric/Building Codes.



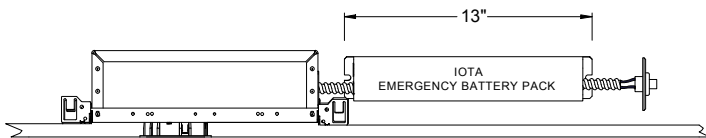
Remote Test Switch

| EM MODE OUTPUT (DELIVERED LUMENS) | | | |
|-----------------------------------|-------|-------|-------|
| LUMEN ORDERING CODE | EM7 | EM10 | EM12 |
| ALL OPTIONS (10LM TO 20LM) | 400LM | 580LM | 720LM |
| Notes: Based on 30K, 97CRI | | | |

NC - NEW CONSTRUCTION WITH EM BATTERY (REMOTE TEST SWITCH)

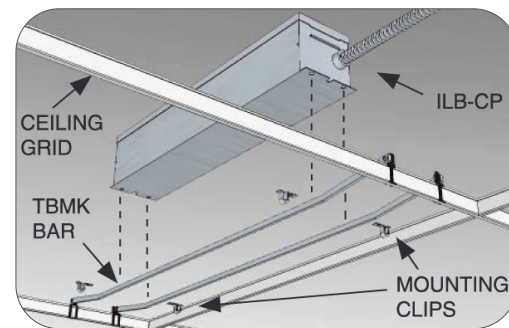


IC - INSULATION CONTACT HOUSING WITH EM BATTERY (REMOTE TEST SWITCH)



Accessory

76066 Optional T-Grid Mounting Kit²



2. Can be used with any of the Emergency Battery Backups. Must be ordered as a separate line item.