



JOB NAME _____

CONTACT _____

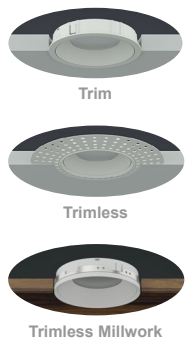
ORDERING CODE _____

NU3" Round Wall Wash XICATO

XICATO



eldoLED
your product | our drive



DESCRIPTION

The NU3RW 3" recessed wall wash by ALPHABET offers multiple cutting edge LED technologies, premium performance, thoughtful construction and pleasing aesthetics. Offered standard with premium dimming using EldoLED 1% flicker free drivers 120V-277V universal voltage. An asymmetric reflector with a highly-efficient BrightView angle-bending lens produces excellent wall washing with no scalloping.

For the trim version, a minimalistic look is achieved with an ultrathin 1/16" trim that is only 5/16" wide. Color choices of both trim and bezel are offered for a customized look. For the trimless version, a perforated, mud up, regressed trim assembly provides for clean, trim free installation. Perforated mud frame's integrated lip helps guide the joint compound creating a sharp and clean opening.

HOUSING

Electrocoated 16-gauge cold-rolled steel provides enhanced structural reinforcement and rust prevention. Superior, UL-certified, injection-molded commercial-grade Lexan™ (PC) is used for the frame and regressed bezel trim. Lexan provides unmatched durability and impact resistance, and is tested for UV resistance and water exposure in outdoor applications. The thermally-advanced, anodized heat sink uses 6063 aluminum alloy. Wet location rated is offered standard. A 90-minute constant-power IOTA emergency battery backup is available.

MOUNTING

An advanced mounting system allows for quick and secure installation with LED and driver serviceability from below the ceiling. The LED assembly uses die-cast aluminum mounting clamp grips (MCG) that swing out to tighten onto variable ceiling thicknesses. Integrated rubber feet on each MCG provide a non-slip vibration-resistant installation. The hidden MCG system is accessible from below ceiling by removing the snap-in lens/bezel assembly with either the included suction cup or a screwdriver blade. Integrated bar hangers feature integral toothed nails, T-bar mounting slots with locking holes, tabs for joist positioning. Retrofit mounting option allows for installation from below ceiling by use of compact driver box. No risk damaging LED or bezel assembly during installation, these are installed during last steps. Fixture and driver are easily removed for servicing after install without damaging drywall.

MOUNTING DIMENSIONS	CEILING THICKNESS	CEILING CUTOUT	New Construction Bar Hangers (included)	Mounting Length: 14-3/4" to 26"
Trim	1/8" to 5/8"	3-3/8" diameter	Extension Kit p/n: K20266 (ordered separately, 1 per fixture)	Extends a pair of Bar Hangers Total Mounting Length: 29" to 48"
Trimless	3/8" to 5/8"	3-1/2" diameter		
Millwork (Trimless)	1/2" to 5/8"	3-3/8" diameter		

LISTINGS

- ETLus Listed to UL1598, cETL Listed to CSA C22.2 #250.0
- IP65 with lens - Suitable for wet locations with lens - Suitable for damp locations without lens
- Non-conductive, Lexan dead-front construction
- Made in the USA - meets the requirements of the Buy American provision within the ARRA

RATINGS / CERTIFICATIONS	NC	RET	IC	ICAT	CP
Type non-IC	✓	✓			
Type IC			✓	✓	✓
Chicago Plenum (CCEA)					✓
Suitable for air handling plenums				✓	✓
Reduced airflow (with lens) ASTM E283	✓	✓	✓	✓	✓

LED INFO

- SDCM = 1X2 MacAdam Ellipse, Duv +/- 0.001, Lumen Maintenance: L₉₀ > 55,000 hrs

XICATO XTM MODULE - ORDERING CODE

SERIES	NU3	
TYPE	RW RWT RWTMW	round wall wash round wall wash trimless round wall wash trimless millwork
LED	XTM19	XICATO XTM 19mm
DELIVERED LUMENS	07LM 10LM 13LM 20LM 27LM ²	480 lm 640 lm 860 lm 1260 lm 1720 lm
CCT	27K 30K 35K 40K	2700K 3000K 3500K 4000K
CRI	83 90 98	83 CRI 90 CRI 98 CRI
REFLECTOR	WW	wall wash with diffused angle bending lens
VOLTAGE	120 UNV	120V 120V-277V
DIMMING	DIM10 ⁴ DIM10Z ⁴ DALI ⁴ DALIZ ⁴ LUT ⁶ LUTP ⁶ ELV ⁵	eldoLED flicker free 0-10V dimming to 1% eldoLED flicker free 0-10V dimming to 0% eldoLED flicker free DALI dimming to 1% eldoLED flicker free DALI dimming to 0% Lutron Hi-lume Ecosystem dimming to 1%, Soft-on & Fade-to-Black Lutron Hi-lume Premier Ecosystem dimming to 0.1%, Soft-on & Fade-to-Black leading & trailing edge dimming (Triac/ELV)
MOUNTING OPTIONS	NC IC ¹ ICAT ¹ CP ¹ RET	new construction with ceiling fitting plate insulation contact housing insulation contact/airtight housing chicago plenum housing retrofit, no ceiling fitting plate
TRIM COLOR	BK WH MC BZ WT	black white matte chrome bronze wheat <small>Not applicable to trimless option. Do not include in trimless ordering code.</small>
BEZEL COLOR	BK WH MC BZ WT	black white matte chrome bronze wheat
ELECTRICAL OPTIONS	EM7 EM12 ³	emergency battery backup, 90 minutes at 7W to LED emergency battery backup, 90 minutes at 12W to LED

ORDERING CODE _____

Follow the steps to specify your fixture, example:
NU3 - RW - XTM19 - 13LM - 35K - 98 - WW - 120 - DIM10 - IC - WH - WH - EM7

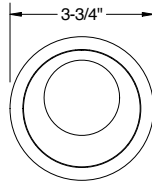
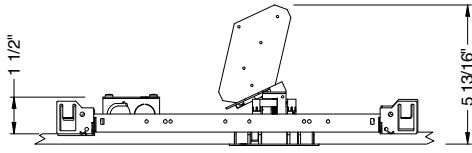
XTM19 (LED)	POWER			
	DELIVERED LM	W (83 CRI)	W (90 CRI)	W (98 CRI)
480	8	10	11	
640	12	14	15	
860	15	19	21	
1260	22	25	27	
1720	29	N/A	N/A	

Power Factor ≥ 0.9

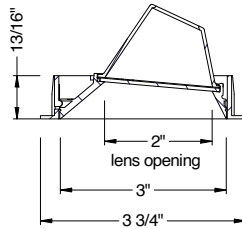
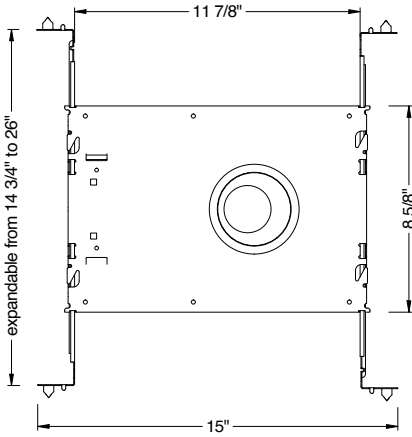
- NOTES**
1. IC/ICAT/CP not available for 27LM in 83CRI, 90CRI or 98CRI. Not available for 20LM in 98CRI.
 2. 27LM not available for 90CRI and 98CRI.
 3. EM12 not available for 83CRI and 90CRI in 07LM, 10LM and 98CRI in 07LM.
 4. Driver uses logarithmic dimming curve as standard. For linear dimming curve add "LIN" after dimming code, i.e. DIM10LIN.
 5. Triac/ELV dimming not available in 07LM. Dimmable to < 10% for 10LM, 13LM in 120V only. Dimmable to < 1% in 20LM or 27LM.
 6. LUT/LUTP not available in 20LM or 27LM.

MOUNTING OPTIONS

NC - NEW CONSTRUCTION TRIM

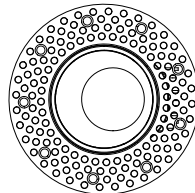
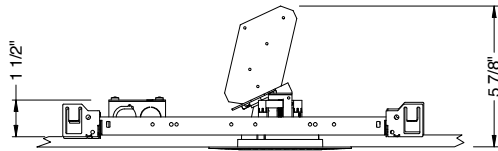


ceiling cutout
3 3/8" diameter

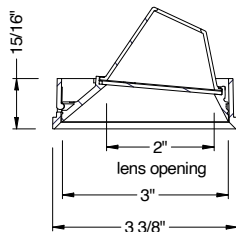
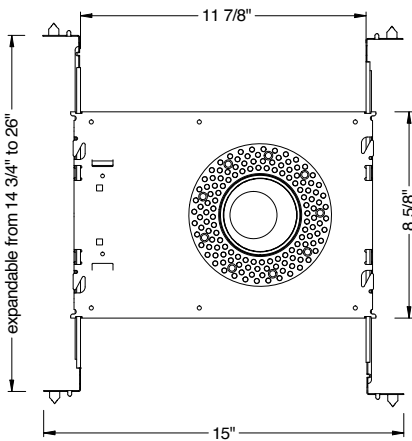


aperture dimensions

NC - NEW CONSTRUCTION TRIMLESS

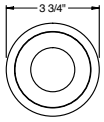


ceiling cutout
3 1/2" diameter



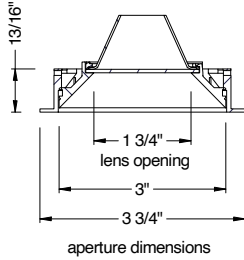
aperture dimensions

TRIMMED

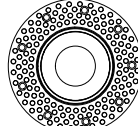


ceiling cutout
3-3/8" diameter

ceiling thickness
1/8" to 1-1/4"

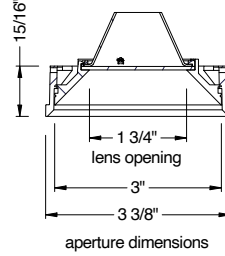


TRIMLESS



ceiling cutout
3-1/2" diameter

ceiling thickness
3/8" to 1-3/4"

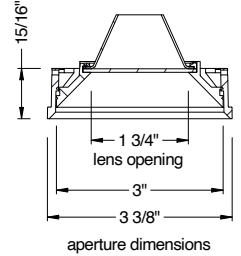


MILLWORK

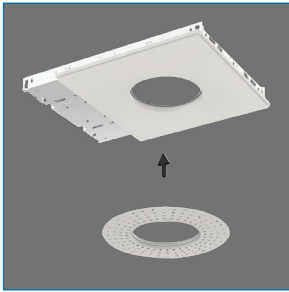


ceiling cutout
3-3/8" diameter

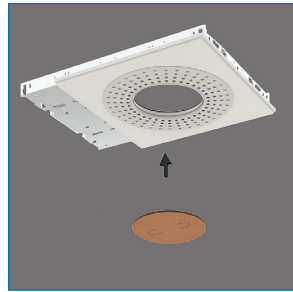
ceiling thickness
1/2" to 1-3/4"



TRIMLESS



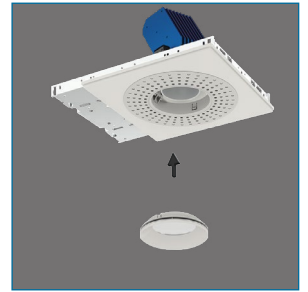
1. Fasten mud frame to ceiling.



2. Insert protective cover (included).
Apply joint compound over the mud frame.



3. Install LED assembly.



4. Install bezel.

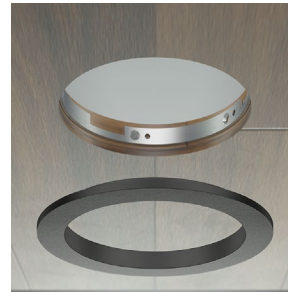
TRIMLESS MILLWORK



1. Insert Millwork Mounting Bracket
using the included Plastic Spacer
for proper depth positioning.



2. Use the included C-Clamps to
temporarily hold the Plastic Spacer
in position. Fasten the included
wood screws into the Mounting
Bracket using a right-angle impact
driver (supplied by others).



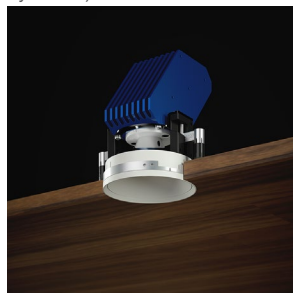
3. Remove Plastic Spacer.



4. Install Luminaire.



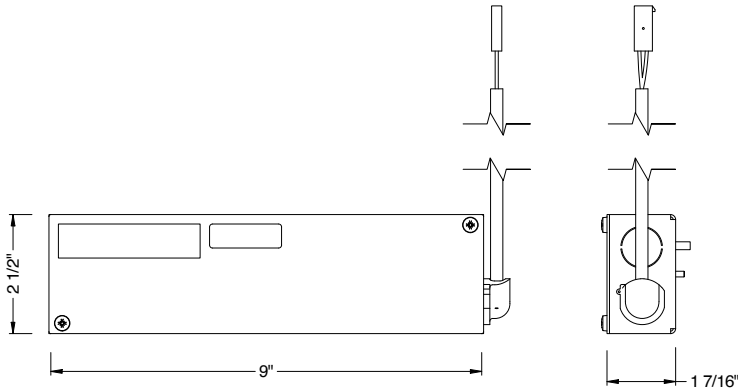
5. Insert Bezel to finish the installation.



MOUNTING OPTIONS (CONTINUED)

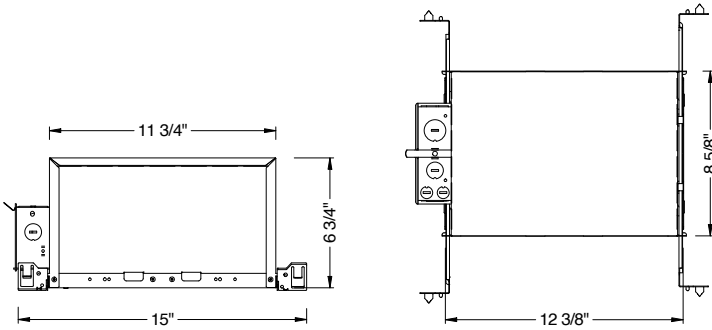
RET - RETROFIT

TRIM/TRIMLESS



IC - INSULATION CONTACT HOUSING

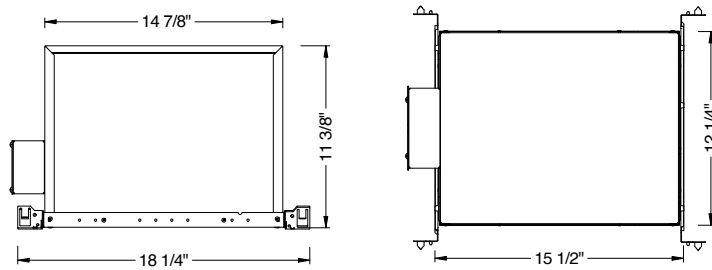
TRIM/TRIMLESS



CP - CHICAGO PLENUM

ICAT - INSULATION CONTACT / AIR TIGHT

TRIM/TRIMLESS





ENERGY STAR - ORDERING CODE

SERIES	NU3	
TYPE	RW RWT RWTMW	round wall wash round wall wash trimless round wall wash trimless millwork
LED	XTM19 XICATO XTM 19mm	
DELIVERED LUMENS	10LM 13LM	810 lm 1050 lm
CCT	27K 30K 35K 40K	2700K 3000K 3500K 4000K
CRI	83 90	83 CRI 90 CRI
REFLECTOR	WW wall wash with diffused angle bending lens	
VOLTAGE	120 277	120V 277V
DIMMING	DIM10 eldoLED flicker free 0-10V dimming to 1%	
MOUNTING OPTIONS	NC IC ICAT RET	new construction with ceiling fitting plate insulation contact housing insulation contact/airtight housing retrofit, no ceiling fitting plate
TRIM COLOR	WH	white Not applicable to trimless option. Do not include in trimless ordering code.
BEZEL COLOR	WH white	
ENERGY STAR	ES energy star	

ORDERING CODE

Follow the steps to specify your fixture, example:

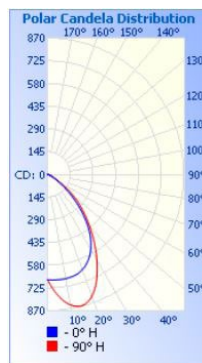
NU3 - RW - XTM19 - 13LM - 27K - 90 - WW - 120 - DIM10 - IC - WH - WH - ES

Zonal Lumen Summary

Zone	Lumens	%Lamp	%Fixt
0-20	242.99	20.90	20.90
0-30	499.25	42.90	42.90
0-40	767.52	66.00	66.00
0-60	1098.83	94.50	94.50
0-80	1158.05	99.60	99.60
0-90	1162.8	100.00	100.00
10-90	1099.51	94.50	94.50
20-40	524.54	45.10	45.10
20-50	738.47	63.50	63.50
40-70	374.12	32.20	32.20
60-80	59.22	5.10	5.10
70-80	16.41	1.40	1.40
80-90	4.75	0.40	0.40
90-110	0.17	0.00	0.00
90-120	0.17	0.00	0.00
90-130	0.17	0.00	0.00
90-150	0.17	0.00	0.00
90-180	0.17	0.00	0.00
110-180	0.00	0.00	0.00
0-180	1162.97	100.00	100.00

Zonal Lumen Summary

Zone	Lumens
0-10	63.29
10-20	179.70
20-30	256.27
30-40	268.27
40-50	213.94
50-60	117.37
60-70	42.81
70-80	16.41
80-90	4.75
90-100	0.17
100-110	0.00
110-120	0.00
120-130	0.00
130-140	0.00
140-150	0.00
150-160	0.00
160-170	0.00
170-180	0.00

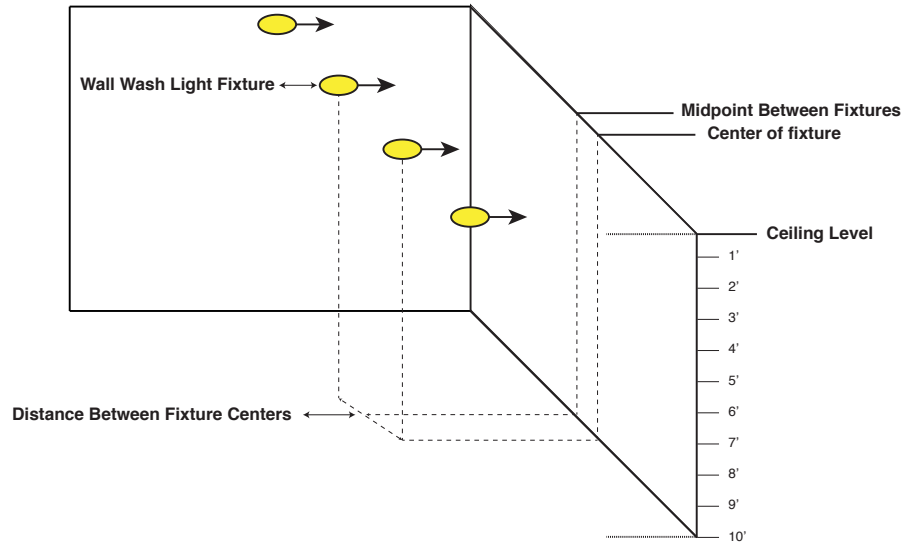


	Center Beam fc	Beam Width	
1.7ft	231 fc	2.6 ft	1.6 ft
3.3ft	61.4 fc	5.0 ft	3.1 ft
5.0ft	26.7 fc	7.6 ft	4.7 ft
6.7ft	14.9 fc	10.1 ft	6.3 ft
8.3ft	9.70 fc	12.5 ft	7.8 ft
10.0ft	6.68 fc	15.1 ft	9.4 ft

■ Vert. Spread: 74.2°
■ Horiz. Spread: 50.5°

NU3-RW-XTM19-13LM-30K-98-WW-120-DIM10-NC-WH-WH-ES

PHOTOMETRIC DATA DIAGRAM



PHOTOMETRIC DATA CHARTS

FOOT CANDLE MEASUREMENT

Xicato Wall Wash 27LM, 83CRI, 3000K

MOUNTING DISTANCE	2' FROM WALL						3' FROM WALL						4' FROM WALL					
	2' ON CENTER		3' ON CENTER		4' ON CENTER		2' ON CENTER		3' ON CENTER		4' ON CENTER		3' ON CENTER		4' ON CENTER		6' ON CENTER	
DISTANCE FROM CEILING	CENTER	MID POINT	CENTER	MID POINT	CENTER	MID POINT	CENTER	MID POINT	CENTER	MID POINT	CENTER	MID POINT	CENTER	MID POINT	CENTER	MID POINT	CENTER	MID POINT
1'	15	14	11	10	8	6	9	9	7	7	5	5	6	6	4	4	2	2
2'	44	43	31	29	24	20	19	19	13	14	10	10	914	9	7	7	4	4
3'	75	74	51	50	38	37	35	35	24	24	18	18	14	14	10	10	6	6
4'	74	74	51	50	37	38	50	50	35	34	25	26	21	21	15	16	10	10
5'	63	63	43	43	32	32	54	53	37	37	27	28	27	27	20	20	13	13
6'	51	51	35	35	26	26	51	50	35	35	26	26	29	26	22	22	14	14
7'	41	41	29	28	21	21	45	45	31	31	23	23	29	29	21	21	14	14
8'	35	35	24	24	18	18	40	39	28	28	21	21	28	28	21	20	13	13
9'	30	30	21	21	16	15	36	35	26	25	19	18	26	26	19	19	12	12
10'	25	24	17	17	13	12	30	29	22	21	16	15	22	23	17	16	11	10

NOTE

1. Performance based on typical reflectance values and room dimensions. IES files available at ledrabrands.com

PHOTOMETRIC DATA CHARTS (CONTINUED)

FOOT CANDLE MEASUREMENT

Xicato Wall Wash 20LM, 83CRI, 3000K																		
MOUNTING DISTANCE	2' FROM WALL						3' FROM WALL						4' FROM WALL					
FIXTURE SPACING	2' ON CENTER		3' ON CENTER		4' ON CENTER		2' ON CENTER		3' ON CENTER		4' ON CENTER		3' ON CENTER		4' ON CENTER		6' ON CENTER	
DISTANCE FROM CEILING	CENTER	MID POINT	CENTER	MID POINT	CENTER	MID POINT	CENTER	MID POINT	CENTER	MID POINT	CENTER	MID POINT	CENTER	MID POINT	CENTER	MID POINT	CENTER	MID POINT
1'	11	11	8	8	7	5	8	7	6	6	4	4	5	5	3	3	2	2
2'	30	30	21	20	17	14	14	14	10	10	7	7	7	7	5	5	3	3
3'	52	52	35	36	27	25	24	24	17	17	13	13	10	10	7	7	5	5
4'	52	52	35	36	27	26	36	35	24	24	18	18	15	15	11	11	7	7
5'	45	45	30	30	23	22	38	38	26	26	19	19	19	19	14	14	9	9
6'	37	36	25	25	19	18	36	36	25	25	19	18	21	21	15	15	10	10
7'	30	30	21	21	15	15	33	32	22	23	17	17	21	21	15	15	10	9
8'	25	25	18	18	13	13	29	29	20	20	15	15	20	20	15	15	10	9
9'	22	22	15	16	11	12	26	26	19	18	14	13	19	19	14	13	9	8
10'	18	18	13	13	9	10	22	22	16	15	11	11	16	16	12	12	8	7

Xicato Wall Wash 13LM, 83CRI, 3000K																		
MOUNTING DISTANCE	2' FROM WALL						3' FROM WALL						4' FROM WALL					
FIXTURE SPACING	2' ON CENTER		3' ON CENTER		4' ON CENTER		2' ON CENTER		3' ON CENTER		4' ON CENTER		3' ON CENTER		4' ON CENTER		6' ON CENTER	
DISTANCE FROM CEILING	CENTER	MID POINT	CENTER	MID POINT	CENTER	MID POINT	CENTER	MID POINT	CENTER	MID POINT	CENTER	MID POINT	CENTER	MID POINT	CENTER	MID POINT	CENTER	MID POINT
1'	8	7	6	5	5	3	5	4	3	3	3	5	3	3	2	2	1	1
2'	23	23	17	15	15	9	10	10	7	7	5	5	5	5	3	3	2	2
3'	38	38	26	25	21	17	19	19	13	13	10	10	7	7	5	4	3	3
4'	36	36	24	24	19	17	26	26	18	18	13	13	11	11	8	8	5	5
5'	30	30	20	20	16	15	27	26	18	18	14	13	14	14	10	10	7	6
6'	24	24	16	17	12	12	24	24	17	17	13	12	15	15	11	11	7	7
7'	19	20	13	14	10	10	22	21	15	15	11	11	14	14	10	10	7	6
8'	16	16	11	12	8	8	19	19	13	14	10	10	13	13	10	10	7	6
9'	15	14	10	10	7	7	17	17	12	12	9	9	13	13	9	9	6	5
10'	12	12	8	8	6	6	14	14	10	10	8	7	11	11	8	8	5	5

NOTE

1. Performance based on typical reflectance values and room dimensions. IES files available at ledbrands.com

PHOTOMETRIC DATA CHARTS (CONTINUED)

FOOT CANDLE MEASUREMENT

Xicato Wall Wash 10LM, 83CRI, 3000K																		
MOUNTING DISTANCE	2' FROM WALL						3' FROM WALL						4' FROM WALL					
FIXTURE SPACING	2' ON CENTER		3' ON CENTER		4' ON CENTER		2' ON CENTER		3' ON CENTER		4' ON CENTER		3' ON CENTER		4' ON CENTER		6' ON CENTER	
DISTANCE FROM CEILING	CENTER	MID POINT	CENTER	MID POINT	CENTER	MID POINT	CENTER	MID POINT	CENTER	MID POINT	CENTER	MID POINT	CENTER	MID POINT	CENTER	MID POINT	CENTER	MID POINT
1'	6	5	4	4	3	2	3	3	3	3	2	2	2	2	2	2	1	1
2'	17	17	12	11	9	8	7	7	5	5	4	3	3	4	3	3	2	1
3'	28	28	19	19	14	14	14	14	10	10	7	7	5	6	4	4	3	2
4'	27	27	18	18	14	13	19	19	13	13	10	10	8	8	6	6	4	4
5'	22	22	15	15	12	11	20	20	14	14	10	10	10	10	8	8	5	5
6'	18	18	12	12	9	9	18	18	13	13	10	9	11	11	8	8	5	5
7'	15	14	1	10	8	7	16	16	11	11	9	8	11	11	8	8	5	5
8'	12	12	9	9	6	6	14	14	10	10	7	7	10	10	7	7	5	5
9'	11	10	8	8	6	5	13	13	9	9	7	7	9	9	7	7	5	4
10'	9	8	6	6	5	4	11	11	8	7	6	6	8	8	6	6	4	4

Xicato Wall Wash 07LM, 83CRI, 3000K																		
MOUNTING DISTANCE	2' FROM WALL						3' FROM WALL						4' FROM WALL					
FIXTURE SPACING	2' ON CENTER		3' ON CENTER		4' ON CENTER		2' ON CENTER		3' ON CENTER		4' ON CENTER		3' ON CENTER		4' ON CENTER		6' ON CENTER	
DISTANCE FROM CEILING	CENTER	MID POINT	CENTER	MID POINT	CENTER	MID POINT	CENTER	MID POINT	CENTER	MID POINT	CENTER	MID POINT	CENTER	MID POINT	CENTER	MID POINT	CENTER	MID POINT
1'	3	3	2	2	2	2	2	2	2	2	1	1	2	2	1	1	1	1
2'	10	9	7	6	5	5	4	4	3	3	2	2	2	2	2	2	1	1
3'	17	17	12	11	8	9	8	8	5	6	4	4	3	3	2	2	1	1
4'	18	16	13	12	9	10	12	12	8	8	6	6	5	5	3	4	2	2
5'	16	16	11	11	8	8	13	13	9	9	6	7	6	6	5	5	3	3
6'	13	13	9	9	6	7	12	13	9	9	6	7	7	7	5	5	3	4
7'	11	11	7	7	5	6	11	12	8	8	6	6	7	7	5	5	3	4
8'	9	9	6	6	5	5	10	10	7	7	5	6	7	7	5	5	3	3
9'	8	8	6	6	4	4	9	9	7	7	5	5	7	7	5	5	3	3
10'	7	6	5	5	3	3	8	8	6	6	4	4	6	6	4	4	3	3

NOTE

1. Performance based on typical reflectance values and room dimensions. IES files available at ledrabrands.com