

JOB NAME _____

CONTACT _____

ORDERING CODE _____



NU3" Round Downlight SUNlike



XICATO



eldoLED
your product | our drive



DESCRIPTION

The NU3RD 3" recessed downlight by ALPHABET offers premium performance, thoughtful construction and pleasing aesthetics. Offered standard with premium dimming using EldoLED 1% flicker free drivers in 120V, 277V. Several beam angles available, plus an optional high-efficiency BrightView diffused lens for smooth light distribution and obscured LED image. 5-year FIXTURE WARRANTY.

For the trim version, a minimalistic look is achieved with an ultrathin 1/16" trim that is only 5/16" wide. For the trimless version, a perforated, mud up, regressed trim assembly provides for clean, trim free installation. Perforated mud frame's integrated lip helps guide the joint compound creating a sharp and clean opening.

HOUSING

Electrocoated 16-gauge cold-rolled steel provides enhanced structural reinforcement and rust prevention. Superior, UL-certified, injection-molded commercial-grade Lexan™ (PC) is used for the frame and regressed bezel trim. Lexan provides unmatched durability and impact resistance, and is tested for UV resistance and water exposure in outdoor applications. The thermally-advanced, anodized heat sink uses 6063 aluminum alloy. Wet location rated is offered standard.

MOUNTING

An advanced mounting system allows for quick and secure installation with LED and driver serviceability from below the ceiling. The LED assembly uses die-cast aluminum mounting clamp grips (MCG) that swing out to tighten onto variable ceiling thicknesses. Integrated rubber feet on each MCG provide a non-slip vibration-resistant installation. The hidden MCG system is accessible from below ceiling by removing the snap-in lens/bezel assembly with either the included suction cup or a screwdriver blade. Integrated bar hangers feature integral toothed nails, T-bar mounting slots with locking holes, tabs for joist positioning. Retrofit mounting option allows for installation from below ceiling by use of compact driver box. No risk damaging LED or bezel assembly during installation, these are installed during last steps. Fixture and driver are easily removed for servicing after install without damaging drywall.

MOUNTING DIMENSIONS	CEILING THICKNESS	CEILING CUTOUT
Trim	1/8" to 1-1/4"	3-3/8" diameter
Trimless	3/8" to 1-3/4"	3-1/2" diameter
Millwork (Trimless)	1/2" to 1-3/4"	3-3/8" diameter

LISTINGS

- JA8 - 2019 (complies with 2019 Title 24, part 6 high efficacy luminaire requirements)
- ETLus Listed to UL1598, cETL Listed to CSA C22.2 #250.0
- Airtight ASTM Standard E283
- IP65 with lens - Suitable for wet locations with lens - Suitable for damp locations without lens
- Non-conductive, Lexan dead-front construction
- Made in the USA - meets the requirements of the Buy American provision within the ARRA

LED INFO

- SDCM = 1X2 MacAdam Ellipse, Duv +/- 0.001, Lumen Maintenance: L₉₀ > 55,000 hrs

JA8 ORDERING CODE

SERIES	NU3	
TYPE	RD RDT RDTMW	round downlight round downlight trimless round downlight trimless millwork
LED	XTM	XICATO XTM 19mm
DELIVERED LUMENS	10L 13L	810 lm 1060 lm
CCT	27K 30K 35K 40K	2700K 3000K 3500K 4000K
CRI	90	90 CRI
REFLECTOR & LM MULTIPLIER	40C 50C 60C 70C 55D 65D 70D	40° reflector with clear lens (0.95) 50° reflector with clear lens (0.95) 60° reflector with clear lens (0.95) 70° reflector with clear lens (0.94) 55° reflector with diffused lens (0.92) 65° reflector with diffused lens (0.90) 70° reflector with diffused lens (0.89)
VOLTAGE	120 277	120V 277V
DIMMING	D10 ELV	standard driver with flicker free 0-10V dimming to 1% leading & trailing edge dimming (Triac/ELV)
MOUNTING OPTIONS	IC	insulation contact housing

ORDERING CODE

Follow the steps to specify your fixture, example:
NU3RDXTM13L27K9040C120D10IC

NOTES

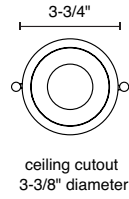
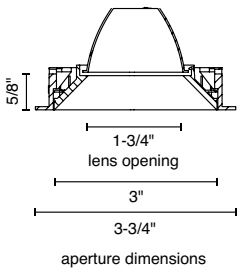
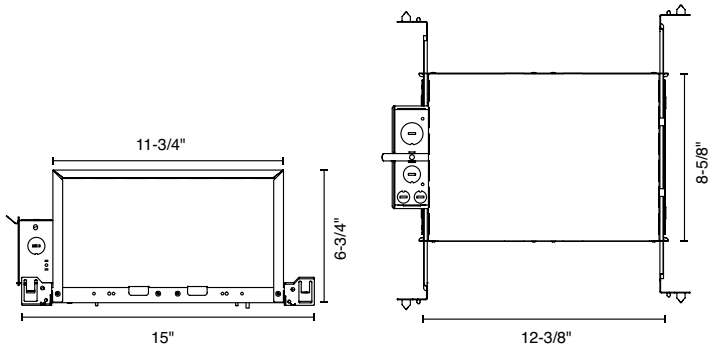
1. JA8 Series fixtures only available in white trim and bezel.

XTM19 (LED)	POWER
DELIVERED LM	W (90 CRI)
810	11
1060	14

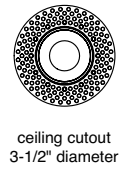
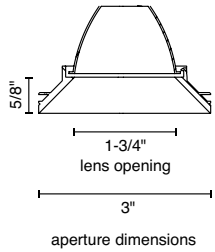
Power Factor ≥ 0.9

MOUNTING OPTIONS

IC - INSULATION CONTACT HOUSING TRIM

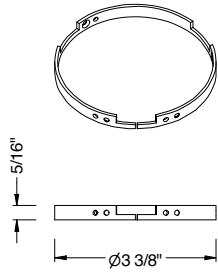


TRIMLESS



MOUNTING OPTIONS (CONTINUED)

RDTMW – MILLWORK TRIMLESS



Millwork Mounting Bracket

NOTES

- 1 Ceiling cutout 3-3/8".
- 2 Millwork Mounting Bracket & Mounting Screws are included with each Luminaire.
- 3 One Plastic Spacer and two C-Clamps are included with each order.
- 4 Refer to Installation Instructions for further details.



1. Insert Millwork Mounting Bracket using the included Plastic Spacer for proper depth positioning.



2. Use the included C-Clamps to temporarily hold the Plastic Spacer in position. Fasten the included wood screws into the Mounting Bracket using a right-angle impact driver (supplied by others).



3. Remove Plastic Spacer.



4. Install Luminaire.



5. Insert Bezel to finish the installation.

