

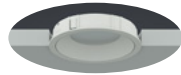
NU3

3" Round Downlight XICATO

XICATO



eldoLED
your product | our drive



Trim



Trimless



Trimless Millwork

DESCRIPTION

The NU3RD 3" recessed downlight by ALPHABET offers multiple cutting edge LED technologies, premium performance, thoughtful construction and pleasing aesthetics. Offered standard with premium dimming using EldoLED 1% flicker free drivers 120V-277V universal voltage. Several beam angles and LiteOptics available, plus an optional high-efficiency BrightView diffused lens for smooth light distribution and obscured LED image.

For the trim version, a minimalistic look is achieved with an ultrathin 1/16" trim that is only 5/16" wide. Color choices of both trim and bezel are offered for a customized look. For the trimless version, a perforated, mud up, regressed trim assembly provides for clean, trim free installation. Perforated mud frame's integrated lip helps guide the joint compound creating a sharp and clean opening.

HOUSING

Electrocoated 16-gauge cold-rolled steel provides enhanced structural reinforcement and rust prevention. Superior, UL-certified, injection-molded commercial-grade Lexan™ (PC) is used for the frame and regressed bezel trim. Lexan provides unmatched durability and impact resistance, and is tested for UV resistance and water exposure in outdoor applications. The thermally-advanced, anodized heat sink uses 6063 aluminum alloy. Wet location rated is offered standard. A 90-minute constant-power IOTA emergency battery backup is available.

MOUNTING

An advanced mounting system allows for quick and secure installation with LED and driver serviceability from below the ceiling. The LED assembly uses die-cast aluminum mounting clamp grips (MCG) that swing out to tighten onto variable ceiling thicknesses. Integrated rubber feet on each MCG provide a non-slip vibration-resistant installation. The hidden MCG system is accessible from below ceiling by removing the snap-in lens/bezel assembly with either the included suction cup or a screwdriver blade. Integrated bar hangers feature integral toothed nails, T-bar mounting slots with locking holes, tabs for joist positioning. Retrofit mounting option allows for installation from below ceiling by use of compact driver box. No risk damaging LED or bezel assembly during installation, these are installed during last steps. Fixture and driver are easily removed for servicing after install without damaging drywall.

| MOUNTING DIMENSIONS | CEILING THICKNESS | CEILING CUTOUT |
|---------------------|-------------------|-----------------|
| Trim | 1/8" to 1-1/4" | 3-3/8" diameter |
| Trimless | 3/8" to 1-3/4" | 3-1/2" diameter |
| Millwork (Trimless) | 1/2" to 1-3/4" | 3-3/8" diameter |

| New Construction Bar Hangers (included) | Mounting Length: 14-3/4" to 26" |
|---|---|
| Extension Kit p/n: K20266 (ordered separately, 1 per fixture) | Extends a pair of Bar Hangers Total Mounting Length: 29" to 48" |

LISTINGS

- ETLus Listed to UL1598, cETL Listed to CSA C22.2 #250.0
- IP65 with lens - Suitable for wet locations with lens - Suitable for damp locations without lens
- Non-conductive, Lexan dead-front construction
- **Declare.** - LBC Red List Approved

| RATINGS / CERTIFICATIONS | NC | RET | IC | ICAT | CP |
|---------------------------------------|----|-----|----|------|----|
| Type non-IC | ✓ | ✓ | | | |
| Type IC | | | ✓ | ✓ | ✓ |
| Chicago Plenum (CCEA) | | | | | ✓ |
| Suitable for air handling plenums | | | | ✓ | ✓ |
| Reduced airflow (with lens) ASTM E283 | ✓ | ✓ | ✓ | ✓ | ✓ |

LED INFO

- SDCM = 1X2 MacAdam Ellipse, Duv +/- 0.001, Lumen Maintenance: L₉₀ > 55,000 hrs

| PROJECT INFORMATION | | |
|---------------------|--|------|
| JOB NAME | | TYPE |
| ORDERING CODE | | |

XICATO XTM MODULE - ORDERING CODE

| SERIES | NU3 | |
|---------------------------|--|--|
| TYPE | RD | round downlight |
| | RDT | round downlight trimless |
| | RDTMW | round downlight trimless millwork |
| LED | XTM19 | XICATO XTM 19mm |
| DELIVERED LUMENS | 07LM | 650 lm |
| | 10LM | 890 lm |
| | 13LM | 1200 lm |
| | 20LM | 1640 lm |
| | 27LM ³ | 2300 lm |
| | Standard Configuration: 3000K 83CRI NL | |
| CCT | 27K | 2700K |
| | 30K | 3000K |
| | 35K | 3500K |
| | 40K | 4000K |
| CRI | 83 | 83 CRI |
| | 90 | 90 CRI |
| | 98 | 98 CRI |
| REFLECTOR & LM MULTIPLIER | 40C | 40° reflector with clear lens (0.95) |
| | 50C | 50° reflector with clear lens (0.95) |
| | 60C | 60° reflector with clear lens (0.95) |
| | 70C | 70° reflector with clear lens (0.94) |
| | 55D | 55° reflector with diffused lens (0.92) |
| | 65D | 65° reflector with diffused lens (0.90) |
| | 70D | 70° reflector with diffused lens (0.89) |
| | 15° narrow beam angle, see page 2 for details. | |
| NO LENS OPTION | NL ⁵ | no lens (1.00) |
| ACCESSORIES | HCL ² | honeycomb louver |
| VOLTAGE | 120 UNV | 120V 120V-277V |
| DIMMING | DIM10 ⁶ DIM10Z ⁶ DALI ⁶ DALIZ ⁶ LUT ⁸ | eldoLED flicker free 0-10V dimming to 1% eldoLED flicker free 0-10V dimming to 0% eldoLED flicker free DALI dimming to 1% eldoLED flicker free DALI dimming to 0% Lutron Hi-lume Ecosystem dimming to 1%, Soft-on & Fade-to-Black Lutron Hi-lume Premier Ecosystem dimming to 0.1%, Soft-on & Fade-to-Black |
| | LUTP ⁸ | Lutron Hi-lume Premier Ecosystem dimming to 0.1%, Soft-on & Fade-to-Black |
| | ELV ⁷ | leading & trailing edge dimming (Triac/ELV) |
| MOUNTING OPTIONS | NC IC ¹ ICAT ¹ CP ¹ RET | new construction with ceiling fitting plate insulation contact housing insulation contact/airtight housing chicago plenum housing retrofit, no ceiling fitting plate |
| TRIM COLOR | BK WH MC BZ WT | black white matte chrome bronze wheat Not applicable to trimless option. Do not include in trimless ordering code. |
| BEZEL COLOR | BK WH MC BZ WT | black white matte chrome bronze wheat |
| ELECTRICAL OPTIONS | EM7 EM12 ⁴ | emergency battery backup, 90 minutes at 7 watts to LED emergency battery backup, 90 minutes at 12 watts to LED |

ORDERING CODE

Follow the steps to specify your fixture, example:
NU3 - RD - XTM19 - 13LM - 35K - 98 - 40C - 120 - DIM10 - NC - WH - WH - EM7

| XTM19 (LED) | POWER | | | |
|-------------|--------------|------------|------------|------------|
| | DELIVERED LM | W (83 CRI) | W (90 CRI) | W (98 CRI) |
| 650 | | 8 | 10 | 11 |
| 890 | | 11 | 14 | 15 |
| 1200 | | 14 | 19 | 21 |
| 1640 | | 20 | 25 | 27 |
| 2300 | | 29 | N/A | N/A |

NOTES

1. IC/ICAT/CP not available for 27LM in 83CRI, 90CRI or 98CRI. Not available for 20LM in 98CRI.
2. HCL not available with lens. Multiply delivered lumens by (0.80) and beam spread by (0.80) when honeycomb louver is chosen.
3. 27LM not available for 90CRI and 98CRI.
4. EM12 not available for 83CRI and 90CRI in 07LM, 10LM and 98CRI in 07LM.
5. No lens option is damp location rated.
6. Driver uses logarithmic dimming curve as standard. For linear dimming curve add "LIN" after dimming code, i.e. DIM10LIN.
7. Triac/ELV dimming not available in 07LM. Dimmable to < 10% for 10LM, 13LM in 120V only. Dimmable to < 1% in 20LM or 27LM.
8. LUT/LUTP not available in 20LM or 27LM.

alphabet

| PROJECT INFORMATION | | |
|---------------------|--|------|
| JOB NAME | | TYPE |
| ORDERING CODE | | |

15° NARROW BEAM - ORDERING CODE

| | | |
|--------------------|---|---|
| SERIES | NU3 | |
| TYPE | RD RDT RDTMW | round downlight round downlight trimless round downlight trimless millwork |
| LED | XTM09 | XICATO XTM 9mm |
| DELIVERED LUMENS | 07LM 10LM 13LM 16LM | 680 lm 930 lm 1220 lm 1460 lm |
| CCT | 27K 30K 35K 40K | 2700K 3000K 3500K 4000K |
| CRI | 83 98 ¹ | 83 CRI 98 CRI |
| REFLECTOR | S15 | 15° specular with clear lens |
| NO LENS OPTION | NL | no lens |
| ACCESSORIES | HCL ⁷ | honeycomb louver |
| VOLTAGE | 120 UNV | 120V 120V-277V |
| DIMMING | DIM10 ⁴ DIM10Z ⁴ DALI ⁴ DALIZ ⁴ LUT ⁶ LUTP ⁶ ELV ⁵ | eldoLED flicker free 0-10V dimming to 1% eldoLED flicker free 0-10V dimming to 0% eldoLED flicker free DALI dimming to 1% eldoLED flicker free DALI dimming to 0% Lutron Hi-lume Ecosystem dimming to 1%, Soft-on & Fade-to-Black Lutron Hi-lume Premier Ecosystem dimming to 0.1%, Soft-on & Fade-to-Black leading & trailing edge dimming (Triac/ELV) |
| MOUNTING OPTIONS | NC IC ² ICAT ² CP ² RET | new construction with ceiling fitting plate insulation contact housing insulation contact/airtight housing chicago plenum housing retrofit, no ceiling fitting plate |
| TRIM COLOR | BK WH MC BZ WT | black white matte chrome bronze wheat Not applicable to trimless option. Do not include in trimless ordering code. |
| BEZEL COLOR | BK WH MC BZ WT | black white matte chrome bronze wheat |
| ELECTRICAL OPTIONS | EM7 EM12 ³ | emergency battery backup, 90 minutes at 7 watts to LED emergency battery backup, 90 minutes at 12 watts to LED |

ORDERING CODE _____

Follow the steps to specify your fixture, example:

NU3 - RD - XTM09 - 13LM - 30K - 83 - S15 - 120 - DIM10 - NC - WH - WH - EM7

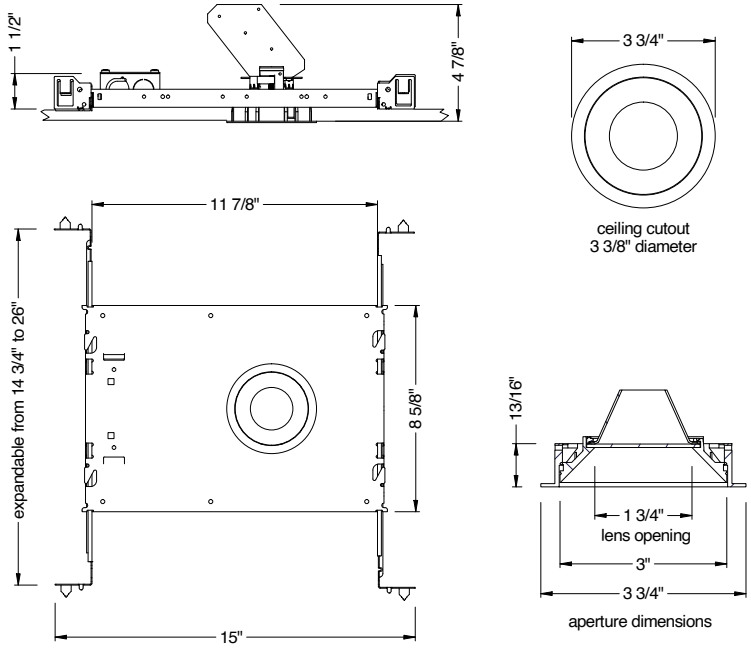
| XTM09 (LED) | POWER | |
|--------------|------------|------------|
| | W (83 CRI) | W (98 CRI) |
| DELIVERED LM | | |
| 680 | 12 | 14 |
| 930 | 17 | 21 |
| 1220 | 24 | 31 |
| 1460 | 30 | N/A |

- NOTES**
- 98CRI not available for 16LM.
 - IC/ICAT/CP not available for 83CRI in 16LM and 98CRI in 13LM and 16LM.
 - EM12 not available for 83CRI and 98CRI in 07LM.
 - Driver uses logarithmic dimming curve as standard. For linear dimming curve add "LIN" after dimming code, i.e. DIM10LIN.
 - Triac/ELV dimming to < 10% in 120V only.
 - LUT/LUTP not available in 13LM or 16LM.
 - HCL not available with lens. Multiply delivered lumens by (0.78) and beam spread by (0.80) when honeycomb louver is chosen.

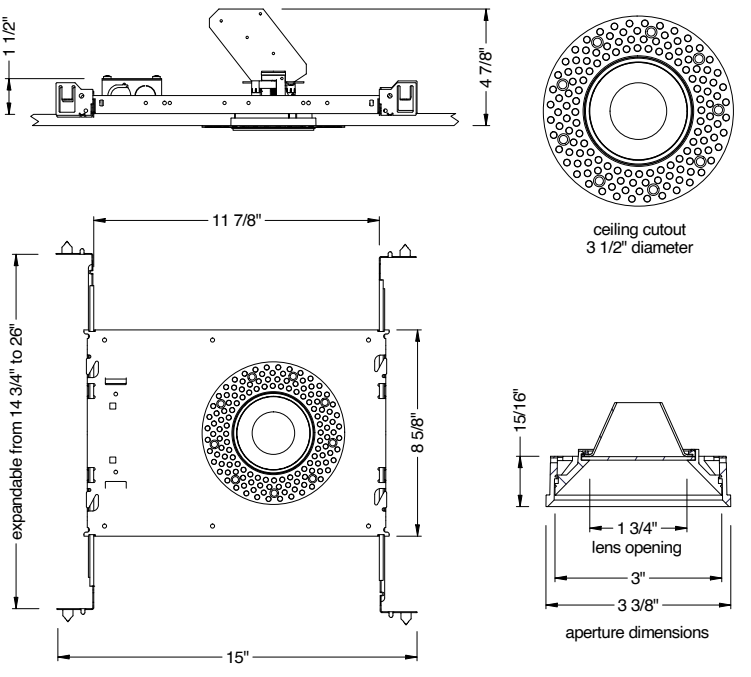
| PROJECT INFORMATION | | |
|---------------------|--|------|
| JOB NAME | | TYPE |
| ORDERING CODE | | |

MOUNTING OPTIONS

NC - NEW CONSTRUCTION TRIM



NC - NEW CONSTRUCTION TRIMLESS

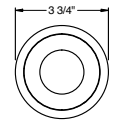


alphabet

| PROJECT INFORMATION | | |
|---------------------|--|------|
| JOB NAME | | TYPE |
| ORDERING CODE | | |

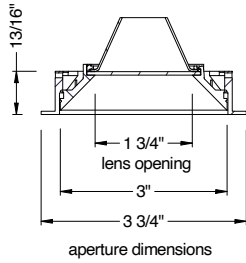
MOUNTING OPTIONS (CONTINUED)

TRIMMED

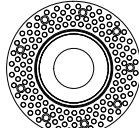


ceiling cutout
3-3/8" diameter

ceiling thickness
1/8" to 1-1/4"

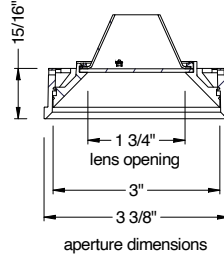


TRIMLESS



ceiling cutout
3-1/2" diameter

ceiling thickness
3/8" to 1-3/4"

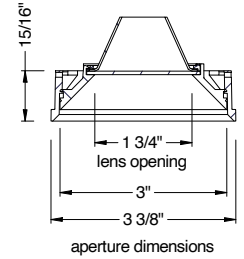


MILLWORK

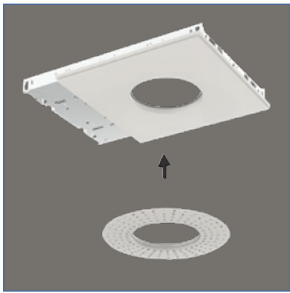


ceiling cutout
3-3/8" diameter

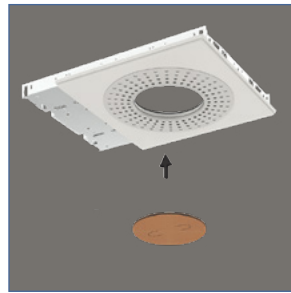
ceiling thickness
1/2" to 1-3/4"



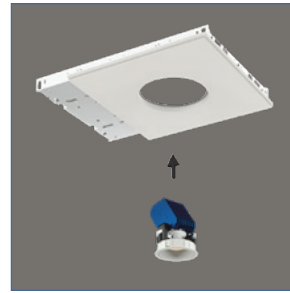
TRIMLESS



1. Fasten mud frame to ceiling.



2. Insert protective cover (included).
Apply joint compound over the mud frame.



3. Install LED assembly.



4. Install bezel.

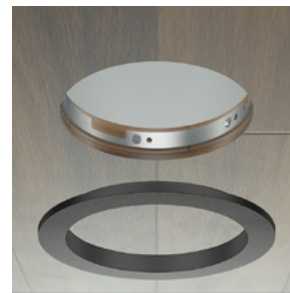
TRIMLESS MILLWORK



1. Insert Millwork Mounting Bracket
using the included Plastic Spacer
for proper depth positioning.



2. Use the included C-Clamps to
temporarily hold the Plastic Spacer
in position. Fasten the included
wood screws into the Mounting
Bracket using a right-angle impact
driver (supplied by others).



3. Remove Plastic Spacer.



4. Install Luminaire.



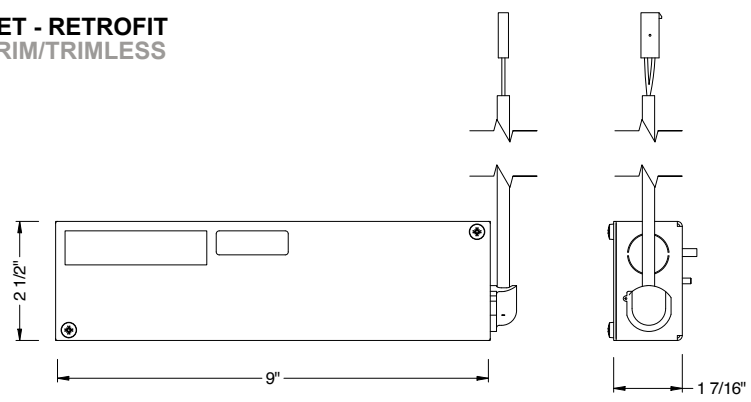
5. Insert Bezel to finish the installation.



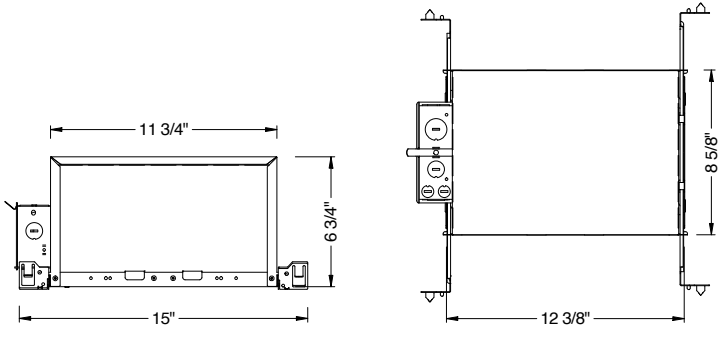
| PROJECT INFORMATION | | | |
|---------------------|--|------|--|
| JOB NAME | | TYPE | |
| ORDERING CODE | | | |

MOUNTING OPTIONS (CONTINUED)

RET - RETROFIT TRIM/TRIMLESS



IC - INSULATION CONTACT HOUSING TRIM/TRIMLESS



CP - CHICAGO PLENUM ICAT - INSULATION CONTACT / AIR TIGHT TRIM/TRIMLESS

