

JOB NAME _____

CONTACT _____

ORDERING CODE _____

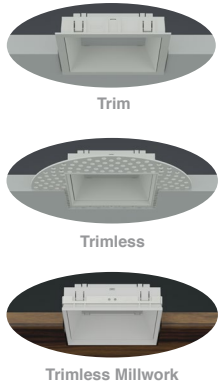
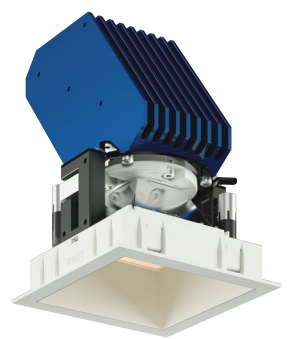


NU3" Square Downlight XICATO

XICATO



eldoLED
your product | our drive



DESCRIPTION

The NU3QD 3" recessed downlight by ALPHABET offers multiple cutting edge LED technologies, premium performance, thoughtful construction and pleasing aesthetics. Offered standard with premium dimming using EldoLED 1% flicker free drivers 120V-277V universal voltage. Several beam angles available, plus an optional high-efficiency BrightView diffused lens for smooth light distribution and obscured LED image.

For the trim version, a minimalistic look is achieved with an ultrathin 1/16" trim that is only 5/16" wide. Color choices of both trim and bezel are offered for a customized look. For the trimless version, a perforated, mud up, regressed trim assembly provides for clean, trim free installation. Perforated mud frame's integrated lip helps guide the joint compound creating a sharp and clean opening.

HOUSING

Electrocoated 16-gauge cold-rolled steel provides enhanced structural reinforcement and rust prevention. Superior, UL-certified, injection-molded commercial-grade Lexan™ (PC) is used for the frame and regressed bezel trim. Lexan provides unmatched durability and impact resistance, and is tested for UV resistance and water exposure in outdoor applications. The thermally-advanced, anodized heat sink uses 6063 aluminum alloy. Wet location rated is offered standard. A 90-minute constant-power IOTA emergency battery backup is available.

MOUNTING

An advanced mounting system allows for quick and secure installation with LED and driver serviceability from below the ceiling. The LED assembly uses die-cast aluminum mounting clamp glands (MCG) that swing out to tighten onto variable ceiling thicknesses. Integrated rubber feet on each MCG provide a non-slip vibration-resistant installation. The hidden MCG system is accessible from below ceiling by removing the snap-in lens/bezel assembly with either the included suction cup or a screwdriver blade. Integrated bar hangers feature integral toothed nails, T-bar mounting slots with locking holes, tabs for joist positioning. Retrofit mounting option allows for installation from below ceiling by use of compact driver box. No risk damaging LED or bezel assembly during installation, these are installed during last steps. Fixture and driver are easily removed for servicing after install without damaging drywall.

MOUNTING DIMENSIONS	CEILING THICKNESS	CEILING CUTOUT	New Construction Bar Hangers (included)	Mounting Length: 14-3/4" to 26"
Trim	1/8" to 1-1/4"	3-1/4" square	Extension Kit p/n: K20266 (ordered separately, 1 per fixture)	Extends a pair of Bar Hangers Total Mounting Length: 29" to 48"
Trimless	3/8" to 1-3/4"	3-1/2" square		
Millwork (Trimless)	5/8" to 1-3/4"	3-9/32" square		

LISTINGS

- ETLus Listed to UL1598, cETL Listed to CSA C22.2 #250.0
- IP65 with lens - Suitable for wet locations with lens - Suitable for damp locations without lens
- Non-conductive, Lexan dead-front construction
- Made in the USA - meets the requirements of the Buy American provision within the ARRA

RATINGS / CERTIFICATIONS	NC	RET	IC	ICAT	CP
Type non-IC	✓	✓			
Type IC			✓	✓	✓
Chicago Plenum (CCEA)					✓
Suitable for air handling plenums				✓	✓
Reduced airflow (with lens) ASTM E283	✓	✓	✓	✓	✓

LED INFO

- SDCM = 1X2 MacAdam Ellipse, Duv +/- 0.001, Lumen Maintenance: L₉₀ > 55,000 hrs

XICATO XTM MODULE - ORDERING CODE

SERIES	NU3	
TYPE	QD QDT QDTMW	square downlight square downlight trimless square downlight trimless millwork
LED	XTM19	XICATO XTM 19mm
DELIVERED LUMENS	07LM 10LM 13LM 20LM 30LM 40LM ²	610 lm 870 lm 1130 lm 1740 lm 2700 lm 3400 lm
CCT	27K 30K 35K 40K	2700K 3000K 3500K 4000K
CRI	83 90 98 ²	83 CRI 90 CRI 98 CRI
REFLECTOR & LM MULTIPLIER	HE60 HE80 S55 D65 WH80	60° high efficiency diffused lens (0.96) 80° high efficiency diffused lens (0.98) 55° specular with clear lens (1.00) 65° diffused with clear lens (0.98) 80° brilliant white with clear lens (0.99)
NO LENS OPTION	NL ⁴	no lens
VOLTAGE	120 UNV	120V 120V-277V
DIMMING	DIM10 ⁵ DIM10Z ⁵ DALI ⁶ DALIZ ⁵ DMXZ LUT ⁷ LUTP ⁷ ELV ⁶	eldoLED flicker free 0-10V dimming to 1% eldoLED flicker free 0-10V dimming to 0% eldoLED flicker free DALI dimming to 1% eldoLED flicker free DALI dimming to 0% DMX dim to zero Lutron Hi-lume Ecosystem dimming to 1%, Soft-on & Fade-to-Black Lutron Hi-lume Premier Ecosystem dimming to 0.1%, Soft-on & Fade-to-Black leading & trailing edge dimming (Triac/ELV)
MOUNTING OPTIONS	NC IC ¹ ICAT ¹ CP ¹ RET	new construction with ceiling fitting plate insulation contact housing insulation contact/airtight housing chicago plenum housing retrofit, no ceiling fitting plate
TRIM COLOR	BK WH MC BZ WT	black white matte chrome bronze wheat <small>Not applicable to trimless option. Do not include in trimless ordering code.</small>
BEZEL COLOR	BK WH MC BZ WT	black white matte chrome bronze wheat
ELECTRICAL OPTIONS	EM7 EM12 ³	emergency battery backup, 90 minutes at 7W to LED emergency battery backup, 90 minutes at 12W to LED

ORDERING CODE _____

Follow the steps to specify your fixture, example:
NU3 - QD - XTM19 - 13LM - 35K - 98 - HE60 - 120 - DIM10 - NC - WH - WH - EM7

XTM19 (LED)	POWER		
	DELIVERED LM	W (83 CRI)	W (90 CRI)
610	8	10	11
870	11	14	15
1130	14	19	21
1740	20	25	27
2700	35	38	42
3400	46	N/A	N/A

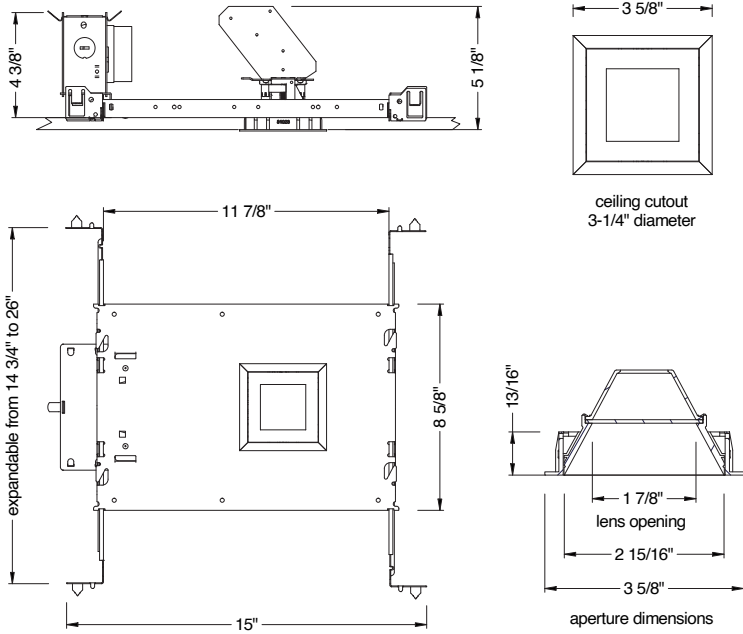
Power Factor ≥ 0.9

NOTES

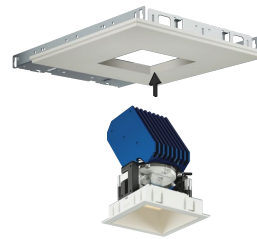
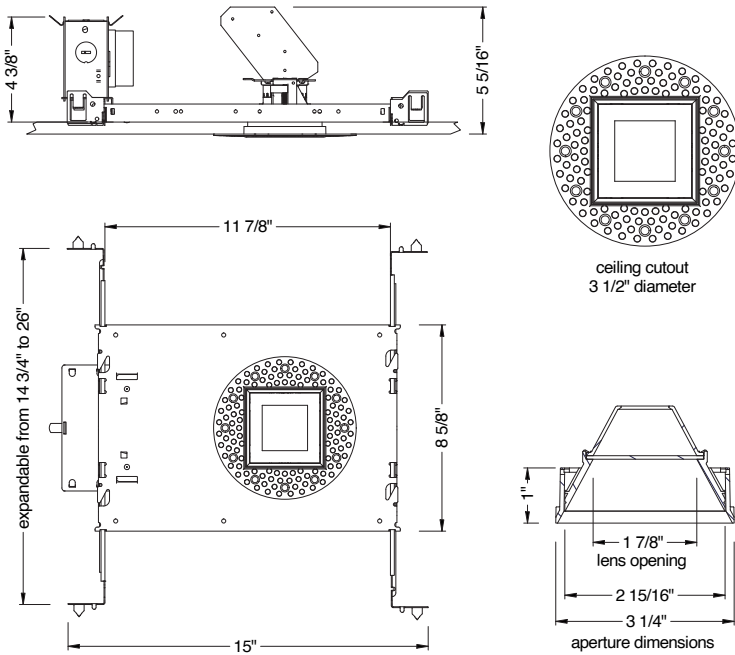
1. IC/ICAT/CP not available for 30LM and 40LM in 83CRI, 90CRI and 98CRI. Not available for 20LM in 98CRI.
2. 40LM not available in 90CRI and 98CRI.
3. EM12 not available for 83CRI and 90CRI in 07LM, 10LM and 98CRI in 07LM.
4. No lens option available for S55, D65 or WH80 and is damp location rated.
5. Driver uses logarithmic dimming curve as standard. For linear dimming curve add "LIN" after dimming code, i.e. DIM10LIN.
6. Triac/ELV dimming not available in 07LM. Dimmable to < 10% in 10LM, 13LM, 120V only. Dimmable to < 1% in 20LM, 30LM and 40LM.
7. LUT/LUTP not available in 20LM, 30LM and 40LM.

MOUNTING OPTIONS

NC - NEW CONSTRUCTION TRIM

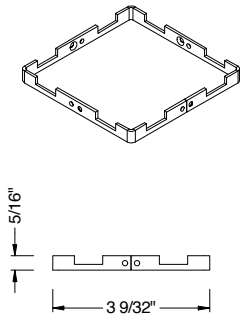


NC - NEW CONSTRUCTION TRIMLESS



MOUNTING OPTIONS (CONTINUED)

QDTMW – MILLWORK TRIMLESS



Millwork Mounting Bracket

NOTES

- 1 Ceiling cutout 3-9/32" x 3-9/32".
- 2 Millwork Mounting Bracket & Mounting Screws are included with each Luminaire.
- 3 One Plastic Spacer and two C-Clamps are included with each order.
- 4 Refer to Installation Instructions for further details.



1. Insert Millwork Mounting Bracket using the included Plastic Spacer for proper depth positioning.



2. Use the included C-Clamps to temporarily hold the Plastic Spacer in position. Fasten the included wood screws into the Mounting Bracket using a right-angle impact driver (supplied by others).



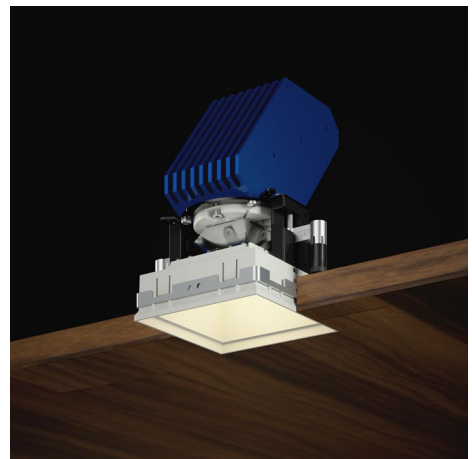
3. Remove Plastic Spacer.



4. Install Luminaire.

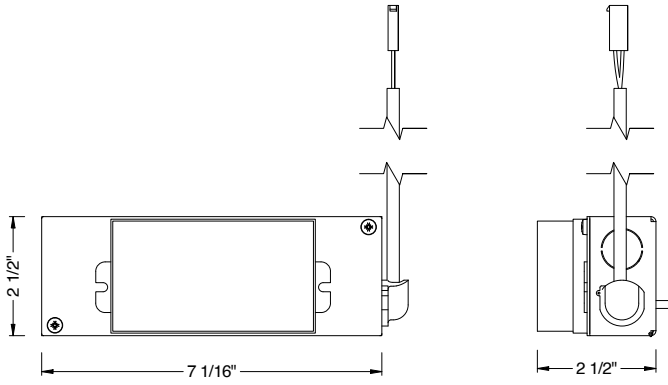


5. Insert Bezel to finish the installation.

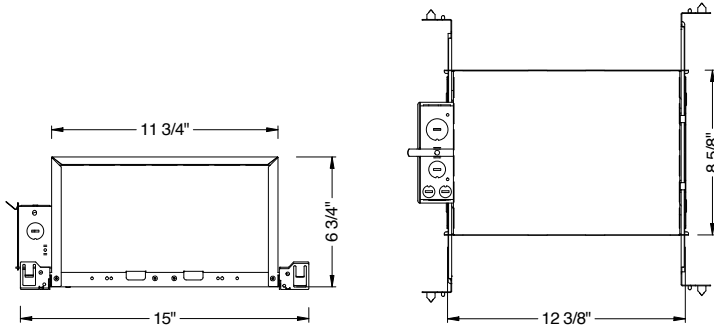


MOUNTING OPTIONS (CONTINUED)

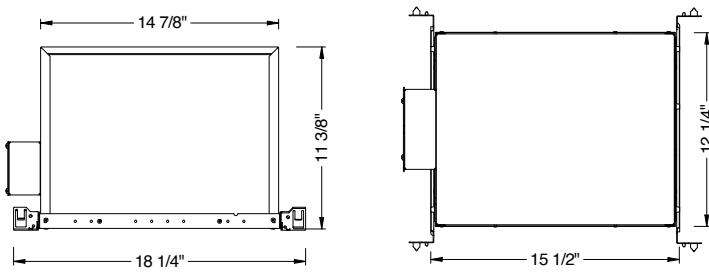
RET - RETROFIT TRIM/TRIMLESS



IC - INSULATION CONTACT HOUSING TRIM/TRIMLESS



CP - CHICAGO PLENUM ICAT - INSULATION CONTACT / AIR TIGHT TRIM/TRIMLESS





ENERGY STAR - ORDERING CODE

SERIES	NU3	
TYPE	QD square downlight QDT square downlight trimless QDTMW square downlight trimless millwork	
LED	XTM19 XICATO XTM 19mm	
DELIVERED LUMENS	10LM 870 lm 13LM 1130 lm	
CCT	27K 2700K 30K 3000K 35K 3500K 40K 4000K	
CRI	83 83 CRI 90 90 CRI	
REFLECTOR & LM MULTIPLIER	HE60 60° high efficiency diffused lens (0.96) HE80 80° high efficiency diffused lens (0.98) S55 55° specular with clear lens (0.97) WH80 80° brilliant white with clear lens (0.99)	
VOLTAGE	120 120V 277 277V	
DIMMING	DIM10 eldoLED flicker free 0-10V dimming to 1%	
MOUNTING OPTIONS	NC new construction with ceiling fitting plate IC insulation contact housing ICAT insulation contact/airtight housing RET retrofit, no ceiling fitting plate	
TRIM COLOR	WH white Not applicable to trimless option. Do not include in trimless ordering code.	
BEZEL COLOR	WH white	
ENERGY STAR	ES energy star	

ORDERING CODE

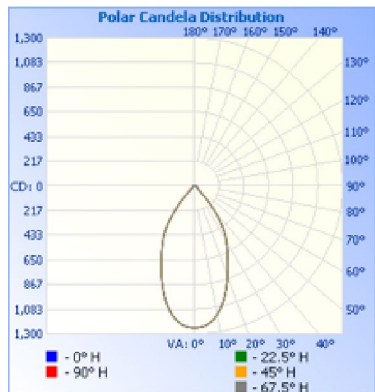
Follow the steps to specify your fixture, example:
NU3 - QD - XTM19 - 13LM - 27K - 90 - HE60 - 120 - DIM10 - IC - WH - WH - ES

Zonal Lumen Summary				Zonal Lumen Summary	
Zone	Lumens	%Lamp	%Fixt	Zone	Lumens
0-20	377.31	N.A.	34.40	0-10	110.37
0-30	684.78	N.A.	62.50	10-20	266.95
0-40	932.67	N.A.	85.10	20-30	307.46
0-60	1053.44	N.A.	96.10	30-40	247.89
0-80	1089.82	N.A.	99.50	40-50	88.46
0-90	1093.01	N.A.	99.80	50-60	32.31
10-90	982.64	N.A.	89.70	60-70	24.03
20-40	555.35	N.A.	50.70	70-80	12.35
20-50	643.82	N.A.	58.80	80-90	3.19
40-70	144.80	N.A.	13.20	90-100	0.50
60-80	36.37	N.A.	3.30	100-110	0.44
70-80	12.35	N.A.	1.10	110-120	0.41
80-90	3.19	N.A.	0.30	120-130	0.37
90-110	0.94	N.A.	0.10	130-140	0.32
90-120	1.35	N.A.	0.10	140-150	0.26
90-130	1.73	N.A.	0.20	150-160	0.19
90-150	2.31	N.A.	0.20	160-170	0.12
90-180	2.66	N.A.	0.20	170-180	0.04
110-180	1.72	N.A.	0.20		
0-180	1095.67	N.A.	100.00		

Total Luminaire Efficiency = N.A.%

Luminance Data (cd/sq.m)

Angle In Degrees	Average 0-Deg	Average 45-Deg	Average 90-Deg
45	14670	14670	14670
55	6117	6117	6117
65	5779	5779	5779
75	4407	4407	4407
85	3077	3077	3077



Illuminance at a Distance

Center Beam Fc	Beam Width
1.7ft	424 fc 1.8 ft
3.3ft	113 fc 3.4 ft
5.0ft	49.0 fc 5.2 ft
6.7ft	27.3 fc 6.9 ft
8.3ft	17.8 fc 8.6 ft
10.0ft	12.3 fc 10.3 ft

■ Beam Spread: 54.6°