

alphabet

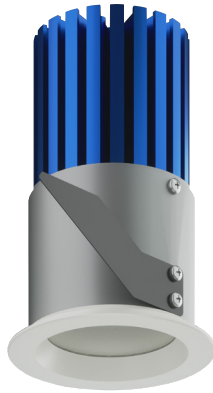
NU2

2" Round Wall Wash XICATO

XICATO



eldoLED[®]
your product | our drive



DESCRIPTION

The NU2RW 2" recessed wall wash by ALPHABET offers multiple cutting edge LED technologies, premium performance, thoughtful construction and pleasing aesthetics. Offered standard with premium dimming using EldoLED 1% flicker free drivers 120V-277V universal voltage. A minimalistic look is achieved with an ultrathin 1/16" flange. Color choices of trim are offered for a customized look. An asymmetric reflector with a highly-efficient BrightView angle-bending lens produces excellent wall washing with no scalloping.

HOUSING

- Small fixture housing and driver box assembly allows for both remodel and new construction applications. The thermally-advanced, anodized heat sink uses 6063 aluminum alloy. A 90-minute constant-power IOTA emergency battery backup is available.

MOUNTING

- A simple mounting system allows for quick and secure installation with LED and driver serviceability from below the ceiling. The LED assembly uses two electrocoated spring steel wings that securely grip onto variable ceiling thicknesses. Integrated bar hangers feature integral toothed nails, T-bar mounting slots with locking holes, tabs for joist positioning. Retrofit mounting option allows for installation from below ceiling by use of compact driver box.

MOUNTING DIMENSIONS	CEILING THICKNESS	CEILING CUTOUT	New Construction Bar Hangers (included)	Mounting Length: 14-3/4" to 26"
Trim	1/2" to 1-1/4"	2-7/8" diameter	Extension Kit p/n: K20266 (ordered separately, 1 per fixture)	Extends a pair of Bar Hangers Total Mounting Length: 29" to 48"

LISTING

- ETLus Listed to UL1598, cETL Listed to CSA C22.2 #250.0
- IP65 with lens - Suitable for wet locations with lens - Suitable for damp locations without lens

RATINGS / CERTIFICATIONS	NC	RET	IC	ICAT	CP
Type non-IC	✓	✓			
Type IC			✓	✓	✓
Chicago Plenum (CCEA)					✓
Suitable for air handling plenums	✓			✓	✓
Reduced airflow (with lens) ASTM E283	✓	✓	✓	✓	✓

LED INFO

- SDCM = 1X2 MacAdam Ellipse, Duv +/- 0.001, Lumen Maintenance: L₉₀ > 55,000 hrs

PROJECT INFORMATION			
JOB NAME		TYPE	
ORDERING CODE			

XICATO XTM MODULE - ORDERING CODE

SERIES	624		
TYPE	RW	round wall wash	
LED	XTM19	XICATO XTM 19mm	
DELIVERED LUMENS	07LM 10LM 13LM	580 lm 780 lm 1040 lm	
CCT	27K 30K 35K 40K	2700K 3000K 3500K 4000K	
CRI	83 98 ¹	83 CRI 98 CRI	
REFLECTOR	WW	wall wash with diffused angle bending lens	
VOLTAGE	120 UNV	120V 120V-277V	
DIMMING	DIM10 DIM10Z DALI DALIZ LUT LUTP ELV ²	eldoLED flicker free 0-10V dimming to 1% eldoLED flicker free 0-10V dimming to 0% eldoLED flicker free DALI dimming to 1% eldoLED flicker free DALI dimming to 0% Lutron Hi-lume Ecosystem dimming to 1%, Soft-on & Fade-to-Black Lutron Hi-lume Premier Ecosystem dimming to 0.1%, Soft-on & Fade-to-Black leading & trailing edge dimming (Triac/ELV)	
MOUNTING OPTIONS	NC IC ICAT CP RET	new construction with ceiling fitting plate insulation contact housing insulation contact/airtight housing chicago plenum housing retrofit, no ceiling fitting plate	
TRIM COLOR	BK WH MC BZ WT	black white matte chrome bronze wheat	
ELECTRICAL OPTIONS	EM7	emergency battery backup, 90 minutes at 7W to LED	

ORDERING CODE

Follow the steps to specify your fixture, example:

624 - RW - XTM19 - 13LM - 35K - 98 - WW - 120 - DIM10 - NC - WH - EM7

XTM19 (LED)	POWER	
DELIVERED LM	W (83 CRI)	W (98 CRI)
580	8	9
780	10	12
1040	15	N/A

Power Factor ≥ 0.9

NOTES

1. 98CRI not available for 13LM.
2. Triac/ELV dimming to <10% in 120V only.

*eldoLED uses logarithmic dimming curve as standard. For linear dimming curve add "LIN" after dimming code, i.e. DIM10LIN.

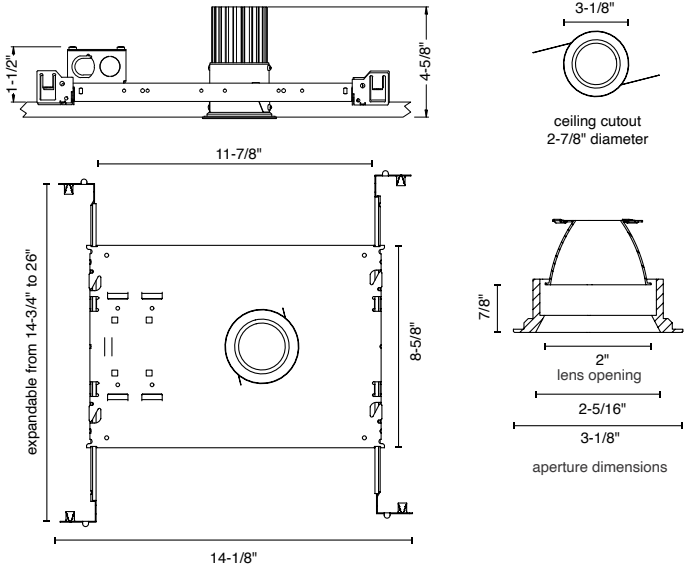
alphabet

PROJECT INFORMATION

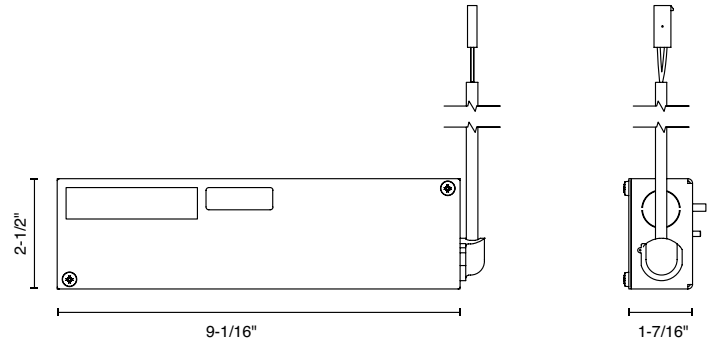
JOB NAME		TYPE	
ORDERING CODE			

MOUNTING OPTIONS

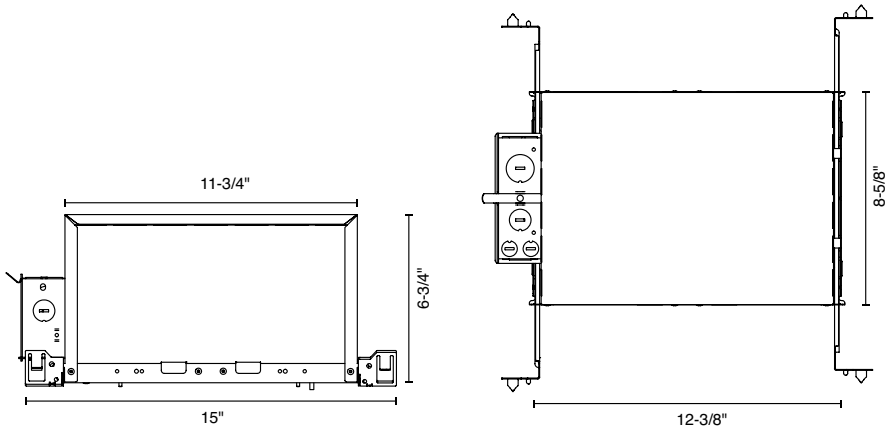
NC - NEW CONSTRUCTION



RET - RETROFIT



IC - INSULATION CONTACT HOUSING



CP - CHICAGO PLENUM

ICAT - INSULATION CONTACT / AIR TIGHT

