

JOB NAME _____

CONTACT _____

ORDERING CODE _____


LM-79

NU2"

Round Downlight Pinhole Warm Dim



DESCRIPTION

The NU2RD-WD downlight with pinhole trim for extreme glare control by ALPHABET offers economical and efficient dim-to-warm LED technology from Luminus. It comprises of premium performance, thoughtful construction and pleasing aesthetics. Offered standard with premium dimming using EldoLED 1% flicker free drivers 120V-277V universal voltage. Several beam angles are available. A minimalistic look is achieved with an ultrathin 1/16" trim that is only 5/16" wide.

HOUSING

Electrocoated 16-gauge cold-rolled steel provides enhanced structural reinforcement and rust prevention. Superior, UL-certified, injection-molded commercial-grade Lexan™ (PC) is used for the frame and regressed bezel trim. Lexan provides unmatched durability and impact resistance, and is tested for UV resistance and water exposure in outdoor applications. The thermally-advanced, anodized heat sink uses 6063 aluminum alloy. A 90-minute constant-power IOTA emergency battery backup is available.

MOUNTING

An advanced mounting system allows for quick and secure installation with LED and driver serviceability from below the ceiling. The LED assembly uses die-cast aluminum mounting clamp grips (MCG) that swing out to tighten onto variable ceiling thicknesses. Integrated rubber feet on each MCG provide a non-slip vibration-resistant installation. The hidden MCG system is accessible from below ceiling by removing the snap-in lens/bezel assembly with either the included suction cup or a screwdriver blade. Integrated bar hangers feature integral toothed nails, T-bar mounting slots with locking holes, tabs for joist positioning. Retrofit mounting option allows for installation from below ceiling by use of compact driver box. No risk damaging LED or bezel assembly during installation, these are installed during last steps. Fixture and driver are easily removed for servicing after install without damaging drywall.

MOUNTING DIMENSIONS	CEILING THICKNESS	CEILING CUTOUT
Trim	1/8" to 1-5/8"	4-3/8" diameter

New Construction Bar Hangers (included)	Mounting Length: 14-3/4" to 26"
Extension Kit p/n: K20266 (ordered separately, 1 per fixture)	Extends a pair of Bar Hangers Total Mounting Length: 29" to 48"

LISTINGS

- ETLus Listed to UL1598, cETL Listed to CSA C22.2 #250.0
- Suitable for damp locations
- Non-conductive, Lexan dead-front construction
- Made in the USA - meets the requirements of the Buy American provision within the ARRA

RATINGS / CERTIFICATIONS	NC	RET
Type non-IC	✓	✓
Type IC		
Chicago Plenum (CCEA)		
Suitable for air handling plenums		

LED INFO

- Luminus Dim-to-warm COB:
- 97 CRI: SDCM = 3-step MacAdam Ellipse; Lumen Maintenance: L70 > 54,000 hrs

ORDERING CODE

SERIES	NU2	
TYPE	RDPH	round downlight, pinhole
LED	WD	warm dim (Luminus)
DELIVERED LUMENS	16LM	1210 lm Standard Configuration: S40
CCT	3018	3000K, dim to 1800K
CRI	97	97 CRI
REFLECTOR & LM MULTIPLIER	S30 S40	30° specular (0.87) 40° specular (1.00)
VOLTAGE	120 UNV	120V 120V-277V
DIMMING	DIM10 DIM10Z DALI DALIZ DMXZ LUT ELV1 ELV11	eldoLED flicker free 0-10V dimming to 1% eldoLED flicker free 0-10V dimming to 0% eldoLED flicker free DALI dimming to 1% eldoLED flicker free DALI dimming to 0% DMX dim to zero Lutron Hi-lume Ecosystem dimming to 1%, Soft-on & Fade-to-Black leading & trailing edge (Triac/ELV) dimming to < 10% leading & trailing edge (Triac/ELV) dimming to 1%
MOUNTING OPTIONS	NC RET	new construction with ceiling fitting plate retrofit, no ceiling fitting plate
TRIM COLOR	BK WH	black, with black optical cavity white, with black optical cavity
ELECTRICAL OPTIONS	EM7 EM12	emergency battery backup, 90 minutes at 7W to LED emergency battery backup, 90 minutes at 12W to LED

ORDERING CODE

Follow the steps to specify your fixture, example:

NU2 - RDPH - WD - 16LM - 3018 - 97 - S40 - 120 - DIM10 - NC - WH - EM7

LUMINUS (LED)	POWER	CCT AT LIGHT LEVEL (%LF) ²	
		%LF	16LM
DELIVERED LM	W (97CRI)	100%	3000
		50%	3000
		25%	2800
		10%	2200
		5%	1800

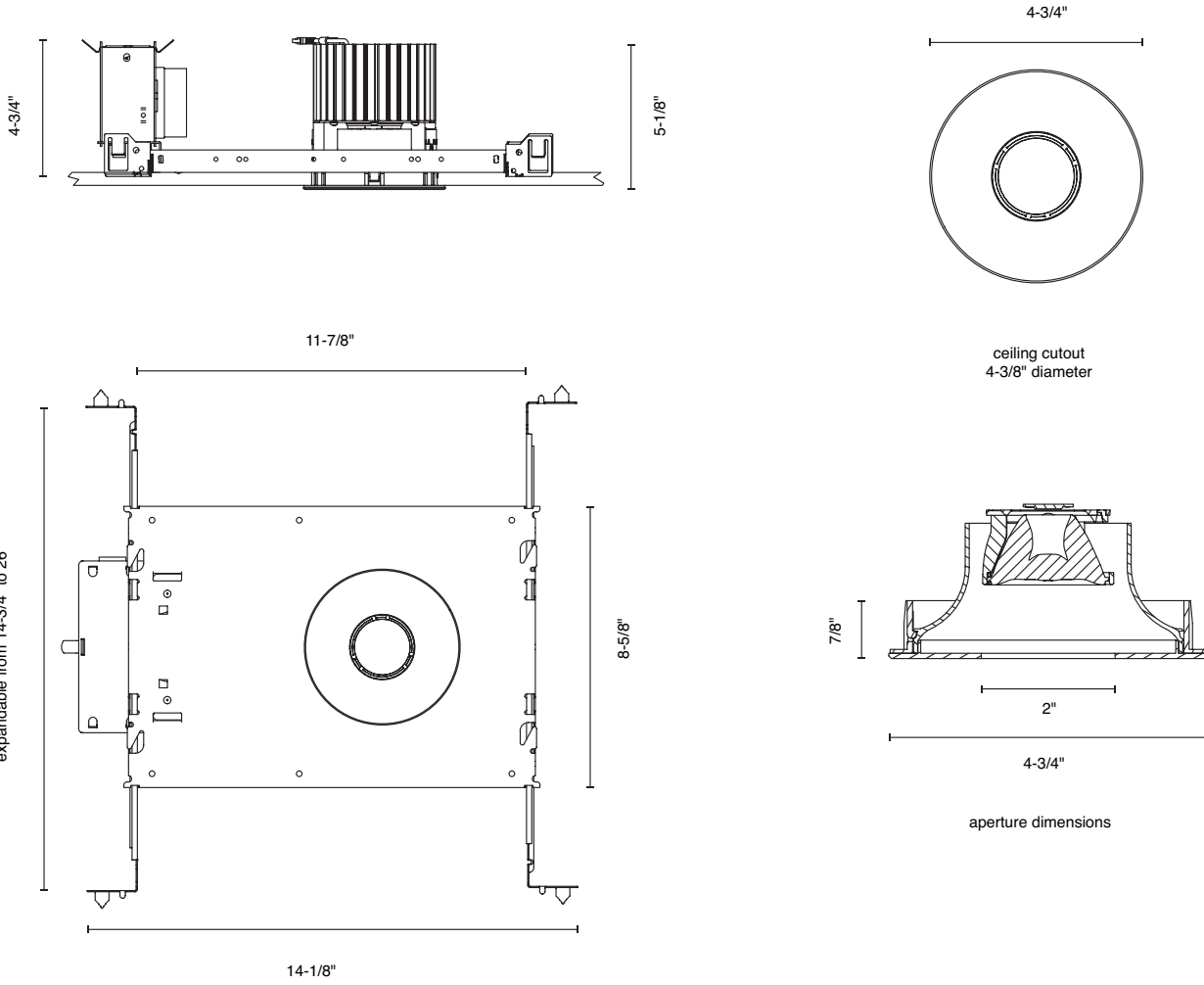
Power Factor ≥ 0.9

NOTES

1. Triac/ELV dimming available in 120V only.
2. Values shown are for reference only. Actual CCT may vary.

MOUNTING OPTIONS

NC - NEW CONSTRUCTION



RET - RETROFIT

