

JOB NAME _____

CONTACT _____

ORDERING CODE _____



LM-79

NU2" Round Downlight Pinhole

COB



eldoLED
your product | our drive



DESCRIPTION

The NU2RD downlight with pinhole trim for extreme glare control by ALPHABET offers economical and efficient LED technology from Nichia. It comprises of premium performance, thoughtful construction and pleasing aesthetics. Offered standard with premium dimming using EldoLED 1% flicker free drivers 120V-277V universal voltage. Several beam angles are available. A minimalistic look is achieved with an ultrathin 1/16" trim that is only 5/16" wide.

HOUSING

Electrocoated 16-gauge cold-rolled steel provides enhanced structural reinforcement and rust prevention. Superior, UL-certified, injection-molded commercial-grade Lexan™ (PC) is used for the frame and regressed bezel trim. Lexan provides unmatched durability and impact resistance, and is tested for UV resistance and water exposure in outdoor applications. The thermally-advanced, anodized heat sink uses 6063 aluminum alloy. A 90-minute constant-power IOTA emergency battery backup is available.

MOUNTING

An advanced mounting system allows for quick and secure installation with LED and driver serviceability from below the ceiling. The LED assembly uses die-cast aluminum mounting clamp grips (MCG) that swing out to tighten onto variable ceiling thicknesses. Integrated rubber feet on each MCG provide a non-slip vibration-resistant installation. The hidden MCG system is accessible from below ceiling by removing the snap-in lens/bezel assembly with either the included suction cup or a screwdriver blade. Integrated bar hangers feature integral toothed nails, T-bar mounting slots with locking holes, tabs for joist positioning. Retrofit mounting option allows for installation from below ceiling by use of compact driver box. No risk damaging LED or bezel assembly during installation, these are installed during last steps. Fixture and driver are easily removed for servicing after install without damaging drywall.

MOUNTING DIMENSIONS	CEILING THICKNESS	CEILING CUTOUT
Trim	1/8" to 1-5/8"	4-3/8" diameter

New Construction Bar Hangers (included)	Mounting Length: 14-3/4" to 26"
Extension Kit p/n: K20266 (ordered separately, 1 per fixture)	Extends a pair of Bar Hangers Total Mounting Length: 29" to 48"

LISTINGS

- ETLus Listed to UL1598, cETL Listed to CSA C22.2 #250.0
- Suitable for damp locations
- Non-conductive, Lexan dead-front construction
- Made in the USA - meets the requirements of the Buy American provision within the ARRA

RATINGS / CERTIFICATIONS	NC	RET	IC	ICAT	CP
Type non-IC	✓	✓			
Type IC			✓	✓	✓
Chicago Plenum (CCEA)					✓
Suitable for air handling plenums				✓	✓

LED INFO

- Nichia NFC:
- 90 CRI: SDCM = 2-step MacAdam Ellipse; Lumen Maintenance: L₇₀ > 55,000 hrs

ORDERING CODE

SERIES	NU2				
TYPE	RDPH	round downlight, pinhole			
LED	SW	standard white (Nichia NFC)			
DELIVERED LUMENS	10LM 15LM 20LM	790 lm 1180 lm 1810 lm	Calculated Delivered Lumens = [Delivered Lumen Value] x [CCT Multiplier] x [Reflector Multiplier] Standard Configuration: 3000K O20		
CCT	27K 30K 35K 40K	2700K 3000K 3500K 4000K	CCT	2700K	3000K
			CCT MULTIPLIER FOR LUMEN OUTPUT	0.97	1.00
CRI	90	90 CRI	3500K	1.04	4000K
REFLECTOR & LM MULTIPLIER	L10 O20 O25 O35	10° optical lens (0.60) 20° total internal reflection lens (1.00) 25° total internal reflection lens (0.81) 35° total internal reflection lens (0.78)			
VOLTAGE	120 UNV	120V 120V-277V			
DIMMING	DIM10 ¹ DIM10Z ¹ DALI ¹ DALIZ ¹ DMXZ LTE ² LUT LUTP ³ ELV ² ELV4 ²	eldoLED flicker free 0-10V dimming to 1% eldoLED flicker free 0-10V dimming to 0% eldoLED flicker free DALI dimming to 1% eldoLED flicker free DALI dimming to 0% DMX dim to zero Lutron Hi-lume 2-Wire (Triac) dimming to 1% Lutron Hi-lume Ecosystem dimming to 1%, Soft-on & Fade-to-Black Lutron Hi-lume Premier Ecosystem dimming to 0.1%, Soft-on & Fade-to-Black leading & trailing edge (Triac/ELV) dimming to < 10% leading & trailing edge (Triac/ELV) dimming to 1%			
MOUNTING OPTIONS	NC IC ICAT CP RET	new construction with ceiling fitting plate insulation contact housing insulation contact/airtight housing chicago plenum housing retrofit, no ceiling fitting plate			
TRIM COLOR	BK WH	black, with black optical cavity white, with black optical cavity			
ELECTRICAL OPTIONS	EM7 EM12	emergency battery backup, 90 minutes at 7W to LED emergency battery backup, 90 minutes at 12W to LED			

ORDERING CODE

Follow the steps to specify your fixture, example:

NU2 - RDPH - SW - 20LM - 30K - 90 - O20 - 120 - DIM10 - NC - WH - EM7

NICHIA (LED)	POWER
DELIVERED LM	W (90CRI)
790	10
1180	15
1810	26

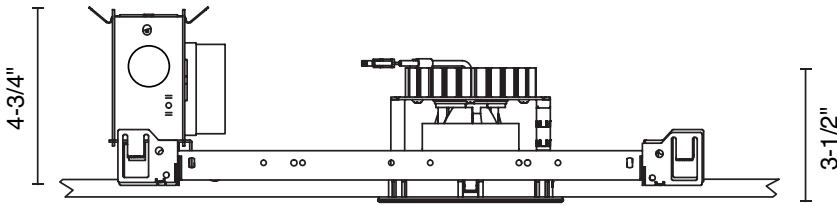
Power Factor ≥ 0.9

NOTES

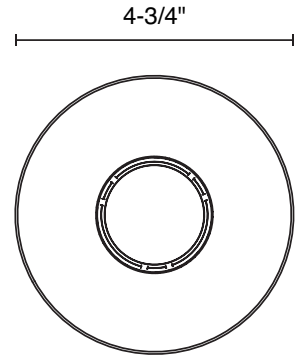
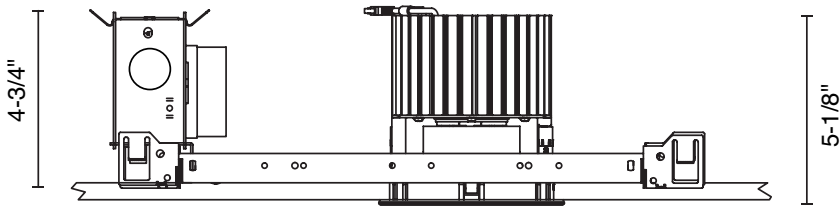
1. Driver uses logarithmic dimming curve as standard. For linear dimming curve add "LIN" after dimming code, i.e. DIM10LIN.
2. Triac/ELV dimming and LTE available in 120V only.
3. LUTP not available in 20LM.

MOUNTING OPTIONS

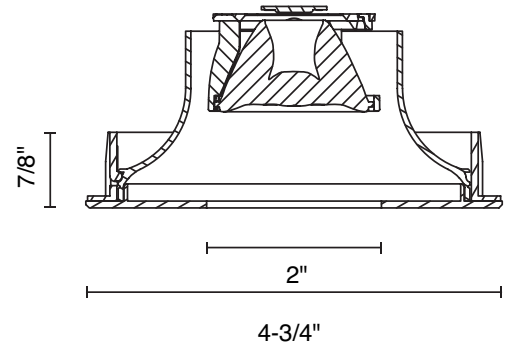
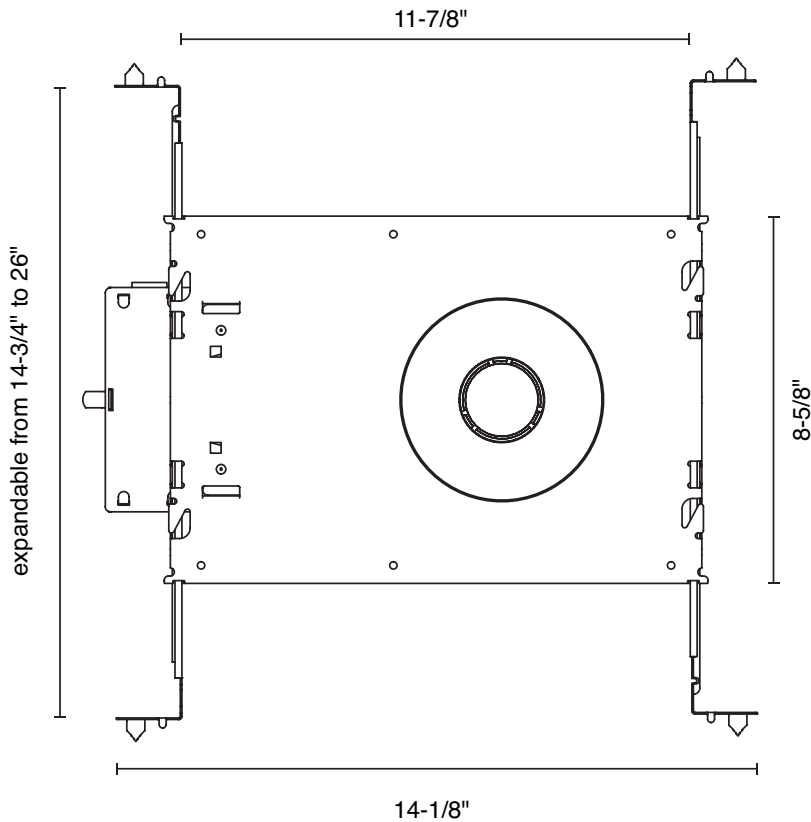
NC - NEW CONSTRUCTION LOW LUMEN OPTION



HIGH LUMEN OPTION



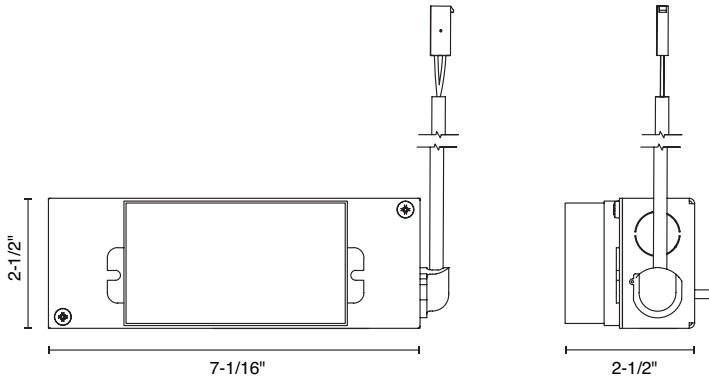
ceiling cutout
4-3/8" diameter



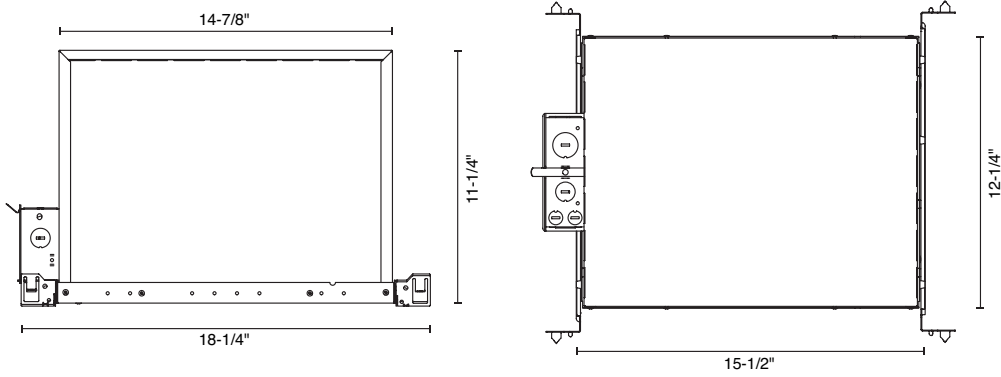
aperture dimensions

MOUNTING OPTIONS (CONTINUED)

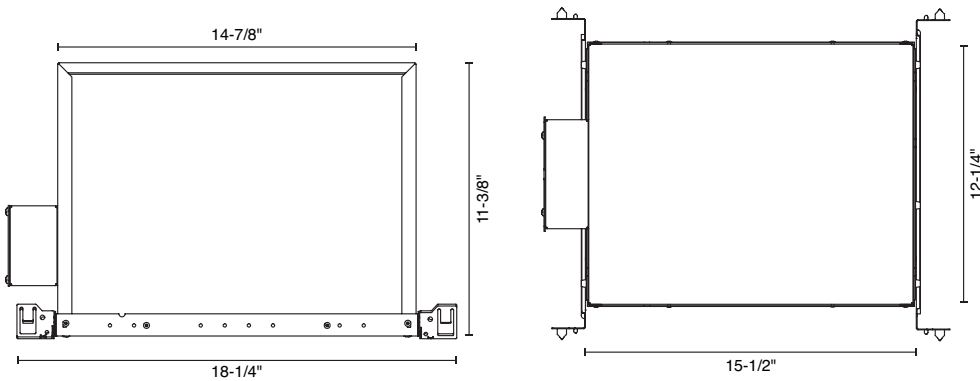
RET - RETROFIT



IC¹ - INSULATION CONTACT HOUSING



CP - CHICAGO PLENUM ICAT - INSULATION CONTACT / AIR TIGHT



NOTES

¹ Consult factory for smaller IC Housings when selecting lower lumen packages.