

NU2

2" Round Adjustable XICATO

XICATO



eldoLED
your product | our drive



DESCRIPTION

The NU2RA 2" recessed adjustable by ALPHABET offers multiple cutting edge LED technologies, premium performance, thoughtful construction and pleasing aesthetics. Offered standard with premium dimming using EldoLED 1% flicker free drivers 120V-277V universal voltage. A minimalistic look is achieved with an ultrathin 1/16" flange. Color choices of both trim and bezel are offered for a customized look. An adjustable system allows tilt adjustments from 0° to 30°.

HOUSING

- Small fixture housing and driver box assembly allows for both remodel and new construction applications. The thermally-advanced, anodized heat sink uses 6063 aluminum alloy. A 90-minute constant-power IOTA emergency battery backup is available.

MOUNTING

- A simple mounting system allows for quick and secure installation with LED and driver serviceability from below the ceiling. The LED assembly uses two electrocoated spring steel wings that securely grip onto variable ceiling thicknesses. Integrated bar hangers feature integral toothed nails, T-bar mounting slots with locking holes, tabs for joint positioning. Retrofit mounting option allows for installation from below ceiling by use of compact driver box.

MOUNTING DIMENSIONS	CEILING THICKNESS	CEILING CUTOUT	New Construction Bar Hangers (included)	Mounting Length: 14-3/4" to 26"
Trim	1/2" to 1-1/4"	2-7/8" diameter	Extension Kit p/n: K20266 (ordered separately, 1 per fixture)	Extends a pair of Bar Hangers Total Mounting Length: 29" to 48"

LISTING

- ETLus Listed to UL1598, cETL Listed to CSA C22.2 #250.0

RATINGS / CERTIFICATIONS	NC	RET	IC	ICAT	CP
Type non-IC	✓	✓			
Type IC			✓	✓	✓
Chicago Plenum (CCEA)					✓
Suitable for air handling plenums	✓			✓	✓
Reduced airflow (with lens) ASTM E283				✓	✓

LED INFO

- SDCM = 1X2 MacAdam Ellipse, Duv +/- 0.001, Lumen Maintenance: L₉₀ > 55,000 hrs

PROJECT INFORMATION		
JOB NAME		TYPE
ORDERING CODE		

XICATO XTM MODULE - ORDERING CODE

LM-79

SERIES	624	
TYPE	RA	round adjustable
LED	XTM19	Xicato XTM 19mm
DELIVERED LUMENS	07LM 10LM 13LM	580 lm 785 lm 1060 lm
CCT	27K 30K 35K 40K	2700K 3000K 3500K 4000K
CRI	83 98 ¹	83 CRI 98 CRI
REFLECTOR & LM MULTIPLIER	D50 D60 S35 S55	50° diffused (0.93) 60° diffused (0.91) 35° specular (0.95) 55° specular (1.00) 15° narrow beam angle, see page 2 for details.
VOLTAGE	120 UNV	120V 120V-277V
DIMMING	DIM10 ³ DIM10Z ³ DALI ² DALIZ ² LUT LUTP ELV ²	eldoLED flicker free 0-10V dimming to 1% eldoLED flicker free 0-10V dimming to 0% eldoLED flicker free DALI dimming to 1% eldoLED flicker free DALI dimming to 0% Lutron Hi-lume Ecosystem dimming to 1%, Soft-on & Fade-to-Black Lutron Hi-lume Premier Ecosystem dimming to 0.1%, Soft-on & Fade-to-Black leading & trailing edge dimming (Triac/ELV)
MOUNTING OPTIONS	NC IC ICAT CP RET	new construction with ceiling fitting plate insulation contact housing insulation contact/airtight housing chicago plenum housing retrofit, no ceiling fitting plate
TRIM COLOR	BK WH BZ MC WT	black white bronze matte chrome wheat
BEZEL COLOR	BK WH MC BZ WT	black white matte chrome bronze wheat
ELECTRICAL OPTIONS	EM7	emergency battery backup, 90 minutes at 7 watts to LED

ORDERING CODE

Follow the steps to specify your fixture, example:

624 - RA - XTM19 - 13LM - 35K - 98 - D50 - 120 - DIM10 - NC - WH - WH - EM7

XTM19 (LED)	POWER	
	W (83 CRI)	W (98 CRI)
580	7	10
785	9	13
1060	13	N/A

Power Factor ≥ 0.9

NOTES

- 98CRI not available for 13LM.
- Triac/ELV dimming to <10% in 120V only.
- Driver uses logarithmic dimming curve as standard. For linear dimming curve add "LIN" after dimming code, i.e. DIM10LIN.

alphabet

PROJECT INFORMATION		
JOB NAME		TYPE
ORDERING CODE		

15° NARROW BEAM - ORDERING CODE

SERIES	624	
TYPE	RA	round adjustable
LED	XTM09	Xicato XTM 9mm
DELIVERED LUMENS	07LM 10LM 13LM	730 lm 995 lm 1290 lm
CCT	27K 30K 35K 40K	2700K 3000K 3500K 4000K
CRI	83 98 ¹	83 CRI 98 CRI
REFLECTOR & LM MULTIPLIER	S15	15° specular
VOLTAGE	120 UNV	120V 120V-277V
DIMMING	DIM10 ³ DIM10Z ² DALI ³ DALIZ ³ LUT ⁵ LUTP ⁵ ELV ⁴	eldoLED flicker free 0-10V dimming to 1% eldoLED flicker free 0-10V dimming to 0% eldoLED flicker free DALI dimming to 1% eldoLED flicker free DALI dimming to 0% Lutron Hi-lume EcoSystem dimming to 1%, Soft-on & Fade-to-Black Lutron Hi-lume Premier EcoSystem dimming to 0.1%, Soft-on & Fade-to-Black leading & trailing edge dimming (Triac/ELV)
MOUNTING OPTIONS	NC IC ICAT CP RET	new construction with ceiling fitting plate insulation contact housing insulation contact/airtight housing chicago plenum housing retrofit, no ceiling fitting plate
TRIM COLOR	BK WH BZ MC WT	black white bronze matte chrome wheat
BEZEL COLOR	BK WH MC BZ WT	black white matte chrome bronze wheat
ELECTRICAL OPTIONS	EM7 EM12 ²	emergency battery backup, 90 minutes at 7 watts to LED emergency battery backup, 90 minutes at 12 watts to LED

ORDERING CODE

Follow the steps to specify your fixture, example:

624 - RA - XTM09 - 13LM - 30K - 83 - S15 - 120 - DIM10 - NC - WH - WH - EM7

XTM09 (LED)	POWER	
	W (83 CRI)	W (98 CRI)
DELIVERED LM		
730	12	14
995	17	20
1290	24	N/A

Power Factor ≥ 0.9

NOTES

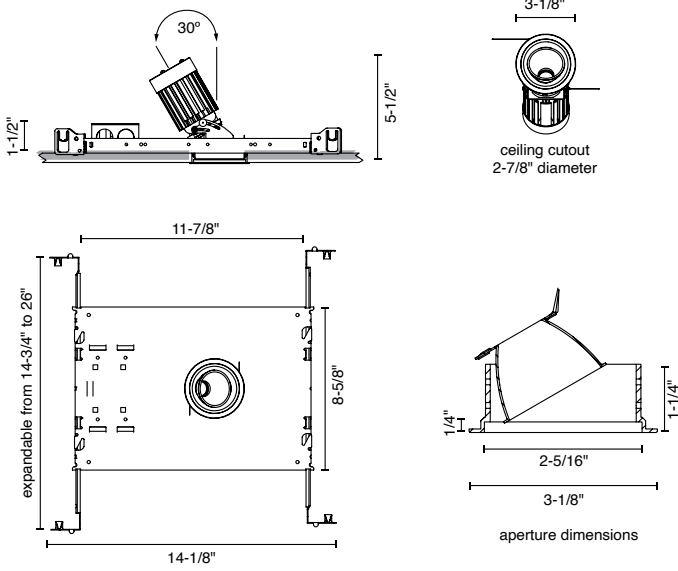
- 98CRI not available for 13LM.
- EM12 not available for 83CRI in 07LM or 10LM.
- Driver uses logarithmic dimming curve as standard. For linear dimming curve add "LIN" after dimming code, i.e. DIM10LIN.
- Triac/ELV dimming to < 10% in 120V only.
- LUT/LUTP not available in 13LM.

alphabet

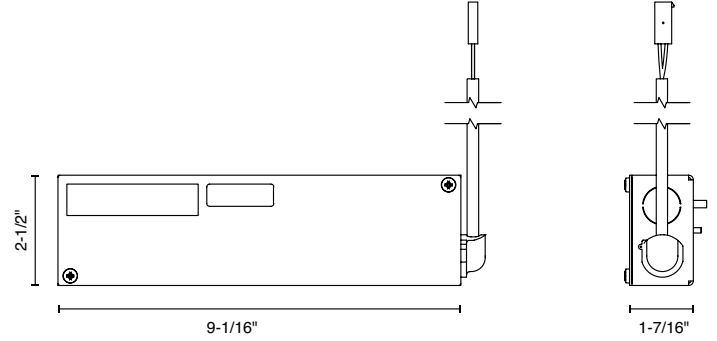
PROJECT INFORMATION		
JOB NAME		TYPE
ORDERING CODE		

Mounting Options

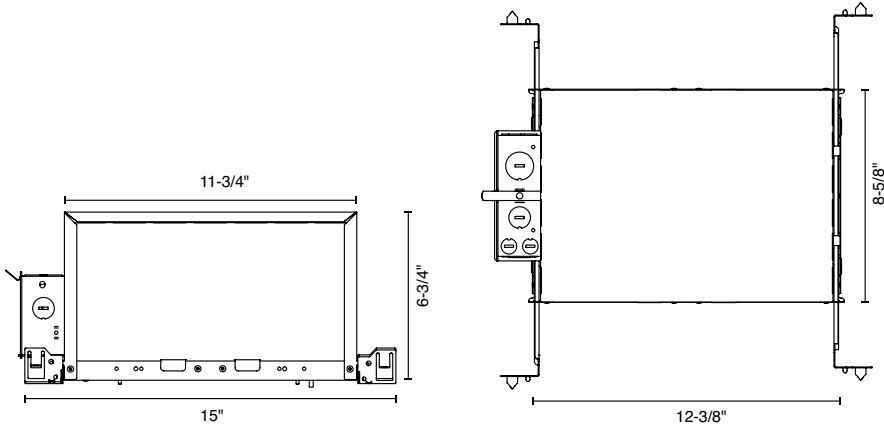
NC - NEW CONSTRUCTION



RET - RETROFIT



IC - INSULATION CONTACT HOUSING



CP - CHICAGO PLENUM ICAT - INSULATION CONTACT / AIR TIGHT

