

# alphabet

PROJECT INFORMATION		
JOB NAME		TYPE
ORDERING CODE		

## NU2

### 2" Round Adjustable Standard White



AT  
airtight

PR  
plenum rated



Trim

35° - 60° BEAM		
(Note: Specifications are subject to change without notice)		
14mm COB PERFORMANCE DATA		
LED LIGHT ENGINE	NOMINAL DELIVERED LUMENS	SYSTEM WATTAGE
07LM	580LM @30K/80CRI	7W
10LM	785LM @30K/80CRI	9W
13LM	1060LM @30K/80CRI	13W
07LM	490LM @30K/90CRI	7W
10LM	660LM @30K/90CRI	9W
13LM	895LM @30K/90CRI	13W
Notes	Delivered lumens based on S35 optic with no lens, (see page 2)	



eldoLED  
your dimmer | our drive

CASAMBI



#### FEATURES

- 1/4" bezel regress with 3/32" micro flange
- 35° - 60° optical beam control
- Microban® antimicrobial finish available on all exposed painted surfaces

#### DIMMING AND CONTROLS

- eldoLED flicker free 0-10V dimming to 0% and 1%
- eldoLED flicker free DALI dimming to 0% and 1%
- Lutron Hi-lumen (Eco System) dimming to 0.1% and 1%
- Leading & trailing edge (Triac/ELV) dimming to 1%
- Casambi bluetooth dimming to 1.0%
- NLight control interface dimming to 0%

#### CONSTRUCTION

- High-grade die-cast and cold forged aluminum alloy assembly that has superior thermal and corrosion resistance properties
- Electrocoated 16-gauge cold-rolled steel construction
- Accommodates ceiling thickness from 1/2" to 1-1/4"

#### LED

- 90 CRI: SDCM = 2-step MacAdam Ellipse, Lumen Maintenance: L<sub>70</sub> > 66,000 hrs
- 80 CRI: SDCM = 2-step MacAdam Ellipse, Lumen Maintenance: L<sub>70</sub> > 66,000 hrs

#### LISTING

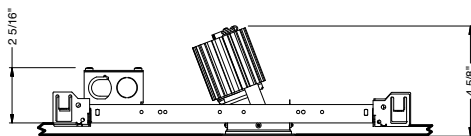
- ULus Listed to UL1598 & UL2108; cUL Listed to CSA C22.2 #250.0
- Suitable for damp locations
- 5 Year Limited warranty

#### ELECTRICAL

- 120V-277V, 120 only Triac / ELV
- Power factor ≥ 0.9
- 2kV driver input surge protection
- Remote emergency test switch
- 7W and 10W (T20 CEC) EM 90min battery
- Max. ambient installation temperature 95°F (35°C)

#### FIXTURE HEIGHT

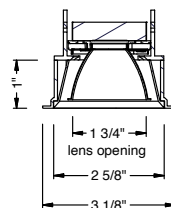
07LM - 13LM LUMENS



#### TRIMMED



ceiling cutout  
2-7/8" diameter  
ceiling thickness  
1/2" to 1-1/4"



# alphabet

PROJECT INFORMATION		
JOB NAME		TYPE
ORDERING CODE		

ORDERING CODE	
<b>SERIES</b>	NU2 NU2
<b>TYPE</b>	RA round adjustable
<b>LED</b>	SW standard white
<b>DELIVERED LUMENS</b>	07LM 580 lm
	10LM 785 lm
	13LM 1060 lm
Standard Configuration: 3000K 80CRI S35 Calculated Delivered Lumens = [Delivered Lumen Value] x [CCT Multiplier] x [Reflector Multiplier]	
<b>CCT</b>	27K 2700K
	30K 3000K
	35K 3500K
	40K 4000K
<b>CRI</b>	80 80 CRI
	90 90 CRI
<b>OPTIC &amp; LM MULTIPLIER</b> SEE PAGE 4	S35 35° specular (1.00)
	S55 55° specular (0.98)
	D50 50° diffused (0.93)
	D60 60° diffused (0.91)
<b>TRIM COLOR</b> SEE PAGE 3	BK black
	WH white
	MC matte chrome
	BZ bronze
	WT wheat
	CC <sup>1</sup> custom color, consult factory for details
Antimicrobial finish, add <b>AM</b> to black, white or matte chrome i.e. BKAM.	
<b>BEZEL COLOR</b> SEE PAGE 3	BK black (0.98)
	WH white (1.00)
	MC matte chrome (0.99)
	BZ bronze (0.98)
	WT wheat (0.99)
	CC <sup>1</sup> custom color, consult factory for details
Antimicrobial finish, add <b>AM</b> to black, white or matte chrome i.e. BKAM.	

ORDERING CODE	
<b>MOUNTING OPTIONS</b> SEE PAGE 5, 6	NC new construction with ceiling fitting plate,
	IC insulation contact housing,
	ICAT insulation contact/airtight housing,
	CP chicago plenum housing,
RET retrofit, no ceiling fitting plate,	
<b>VOLTAGE</b>	120 120V
	UNV 120V-277V
<b>DIMMING</b>	DIM10 eldoLED flicker free 0-10V dimming to 1%
	DIM10Z eldoLED flicker free 0-10V dimming to 0%
	DALI eldoLED flicker free DALI 2 dimming to 1%
	DALIZ eldoLED flicker free DALI 2 dimming to 0%
	LUT Lutron Hi-lume Ecosystem dimming to 1%, Soft-on & Fade-to-Black
	LUTP Lutron Hi-lume Premier Ecosystem dimming to 0.1%, Soft-on & Fade-to-Black
	ELV1 <sup>2</sup> leading & trailing edge (Triac/ELV) dimming to 1%
	NLT <sup>3</sup> nLight control interface: standard Cat-5/RJ45 connection (female), dim to off
CAS Casambi Bluetooth control with flicker free 1% dimming	
<b>ELECTRICAL OPTIONS</b>	EM7 emergency battery backup, 90 minutes at 7W to LED
	EM10CA20 emergency battery backup, 90 minutes at 10W to LED, CA title 20

ADDITIONAL MOUNTING INFO	
New Construction Bar Hangers (included)	Mounting Length: 14-3/4" to 26"
Extension Kit p/n: K20266 (ordered separately, 1 per fixture)	Extends a pair of Bar Hangers Total Mounting Length: 29" to 48"

YOUR COMPLETED ORDERING CODE
Follow the steps to specify your fixture, example: <b>NU2 - RA - SW - 13LM - 30K - 90 - D50 - WH - WH - NC - 120 - DIM10 - EM7</b>

## NOTES

1. Custom set up fee plus minimum quantity required per color
2. ELV1 (120V) not available in 07LM.
3. For servicing access above ceiling is required.

\* EldoLED uses logarithmic dimming curve as standard. For linear dimming curve, add "LIN" after dimming code, i.e. DIM10LIN.

# alphabet

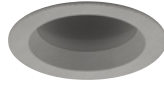
PROJECT INFORMATION		
JOB NAME		TYPE
ORDERING CODE		

## TRIM OPTIONS

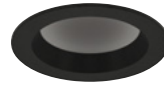
### TRIM/BEZEL COLORS



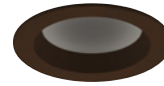
WH



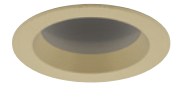
MC



BK



BZ



WT

## OPTICAL OPTIONS

- UGR calculation based on CIE 117-1995; room size: 4H X 8H, reflectance: 70/50/20;
- UGR calculation based on 10LM fixtures, unless otherwise noted.

NL

No Lens



OPTIC	BEAM ANGLE	UGR
S35	49	17.7
S55	63	21.1
D50	36	20.3
D60	54	22.4

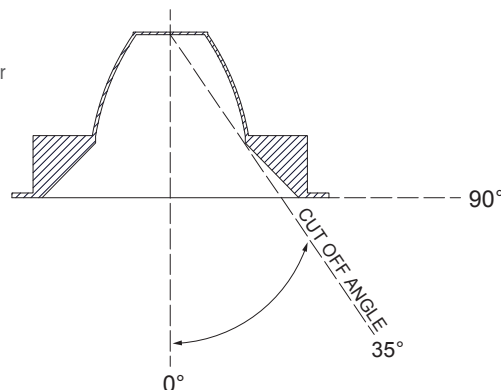
## GLARE CONTROL

### CUT-OFF ANGLE

Visual comfort is achieved with a lower cut-off angle due to improved glare control. The smaller the cut-off angle, the easier it is on the eye.

Alphabet downlights have been thoughtfully engineered to eliminate glare while still delivering functional illumination.

- Cutoff angle of NL and CL is 35 degrees;



# alphabet

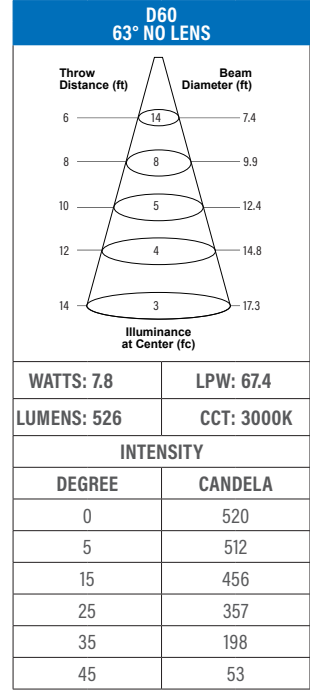
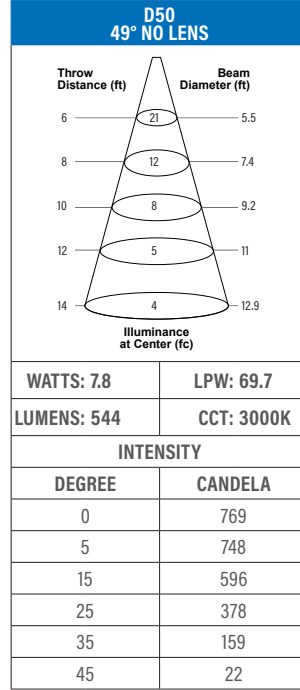
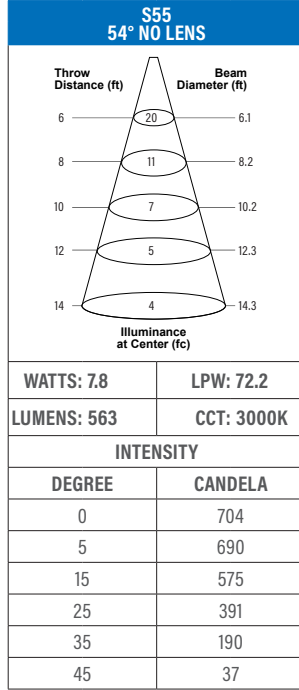
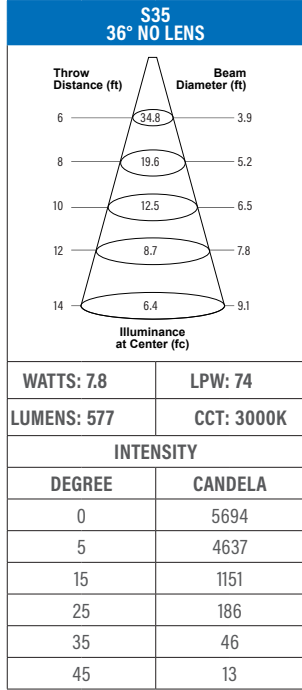
PROJECT INFORMATION		
JOB NAME		TYPE
ORDERING CODE		

## PHOTOMETRIC DATA

### 07LM MULTIPLIERS

	80CRI	90CRI
2700K	0.96	0.81
3000K	1	0.85
3500K	1.03	0.88
4000K	1.06	0.91

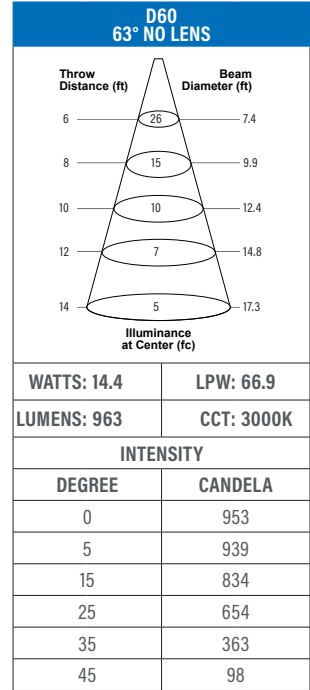
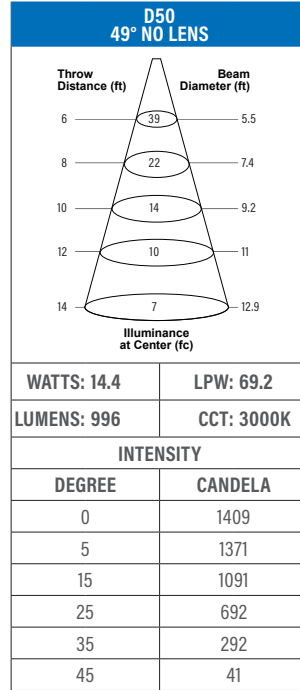
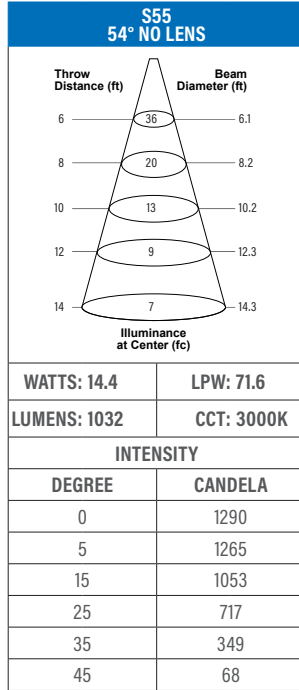
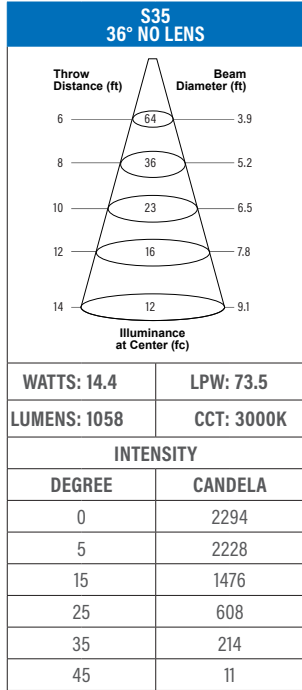
FC Formula = CBCP / Distance<sup>2</sup>



### 13LM MULTIPLIERS

	80CRI	90CRI
2700K	0.96	0.81
3000K	1	0.85
3500K	1.03	0.88
4000K	1.06	0.91

FC Formula = CBCP / Distance<sup>2</sup>



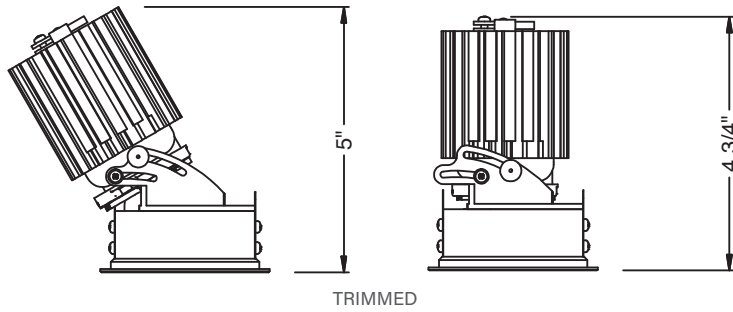
# alphabet

PROJECT INFORMATION		
JOB NAME		TYPE
ORDERING CODE		

## MOUNTING OPTIONS

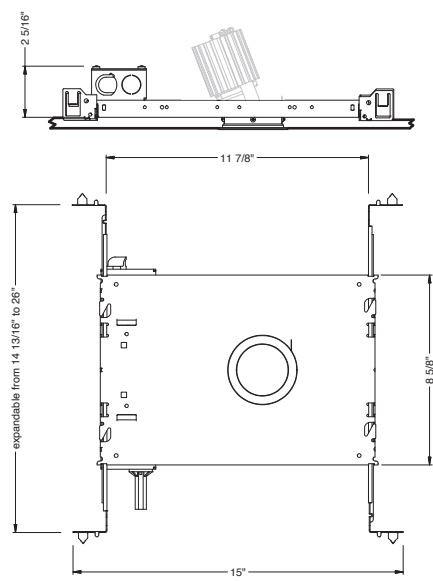
### FIXTURE HEIGHT

07LM - 13LM LUMENS



### NC - NEW CONSTRUCTION

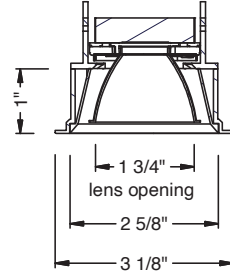
#### TRIM



#### TRIM



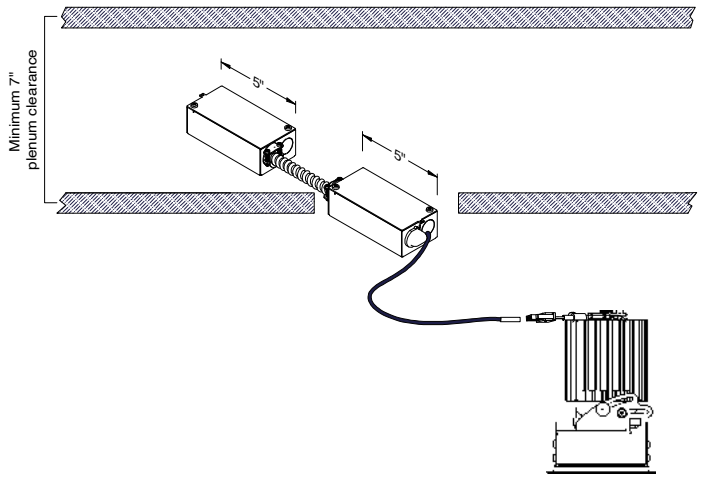
ceiling cutout  
2-7/8" diameter  
ceiling thickness  
1/2" to 1-1/4"



PROJECT INFORMATION			
JOB NAME		TYPE	
ORDERING CODE			

## MOUNTING OPTIONS

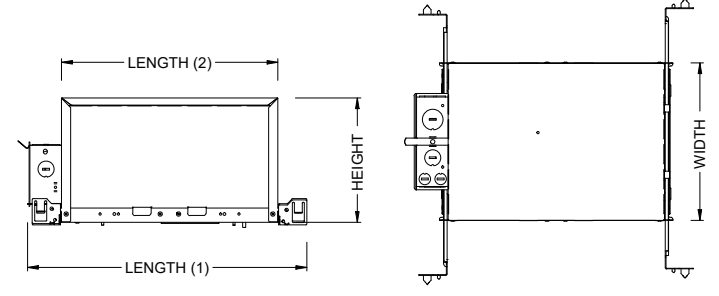
### RET - RETRO TRIM/TRIMLESS



RATINGS / CERTIFICATIONS	NC	RET	IC	ICAT	CP
TYPE NON-IC	✓	✓			
TYPE IC			✓	✓	✓
CHICAGO PLENUM (CCEA)					✓
SUITABLE FOR AIR HANDLING PLENUMS	✓			✓	✓
REDUCED AIRFLOW (WITH LENS) ASTM E283				✓	✓

CEILING THICKNESS	
FIXTURE TYPE	MOUNTING TYPE
	STANDARD CEILING THICKNESS
TRIM	0.5" to 1.25"

### IC - INSULATION CONTACT HOUSING ICAT - INSULATION CONTACT / AIR TIGHT CP - CHICAGO PLENUM



BOX SIZE	L 1	L 2	W	H
A	15 - 7/16"	11 - 3/4"	8 - 1/2"	6 - 3/4"

BOX TYPE / LUMEN OUTPUT - STANDARD BEAMS (35° - 60°)			
LUMEN OUTPUT	BOX - A		
	CP	IC	ICAT
07LM	✓	✓	✓
10LM	✓	✓	✓
13LM	✓	✓	✓

PROJECT INFORMATION		
JOB NAME		TYPE
ORDERING CODE		

## BATTERY OPTIONS

### EMERGENCY BATTERY

IOTA's ILB Battery Backups are UL Listed LED emergency drivers that allow the same LED fixture to be used for both normal and emergency operation. In the event of a power failure, the ILB switches to the emergency mode and operates the existing fixture for 90 minutes. The unit contains a battery, charger, and converter circuit in a single can. The Constant Power design of the ILB maintains the output wattage to the LED array even as the system voltage diminishes. UL 924 Listed for U.S. and Canada. UL 1310 Certified, Output Class 2 Compliant. Includes single-piece TBTS test switch and charge indicator accessory kit. For use with switched and unswitched fixtures, and includes Two-wire universal AC input. Meets or exceeds all National Electric Code and Life Safety Code Emergency Lighting Requirements. Rated for use in Plenum, Damp Location, Recessed Type IC, and Enclosed and Gasketed Luminaires.

### REMOTE TEST SWITCH

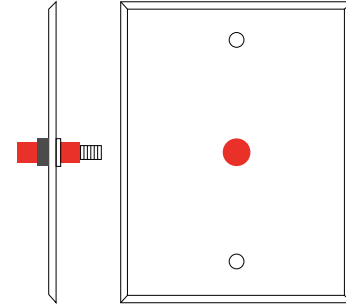
The Remote Test Switch may be mounted adjacent to the LED Fixture by others.

### EMERGENCY BATTERY ACCESS

Above ceiling access is recommended for ease of service, but LED Fixture Sizes of 4" and Larger are capable of below ceiling access. IC/ICAT/CP Box and ITS option require an access panel in the ceiling (or other form of access) adjacent to the installation location of the Emergency Battery.

### REMOTE LOCATION

Maximum remote mounting distance of the emergency driver shall be 50 feet. Remote location wiring provided by others. Follow all Local and National Electric/Building Codes.

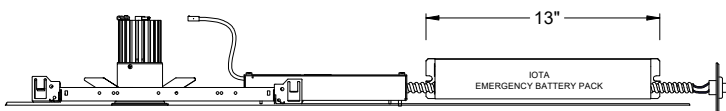


Remote Test Switch

EM MODE OUTPUT (DELIVERED LUMENS)		
LUMEN ORDERING CODE	EM7	EM10
ALL OPTIONS (07LM TO 13LM)	580LM	1060LM
Notes: Based on 30K, 80CRI		

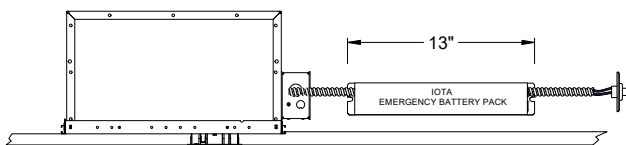
## NC - NEW CONSTRUCTION WITH EM BATTERY (REMOTE TEST SWITCH)

NC - NEW CONSTRUCTION WITH EM BATTERY (REMOTE TEST SWITCH)

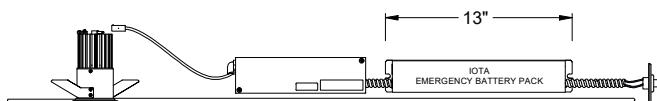


## IC / ICAT / CP - INSULATION CONTACT HOUSING WITH EM BATTERY (REMOTE TEST SWITCH)

WITH EM BATTERY (REMOTE TEST SWITCH)

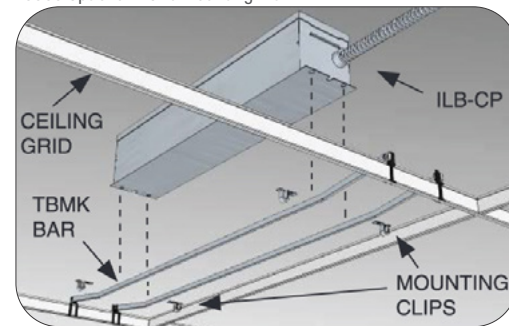


## RET - RETROFIT WITH EM BATTERY (REMOTE TEST SWITCH)



### Accessory

76066 Optional T-Grid Mounting Kit<sup>1</sup>



1. Can be used with any of the Emergency Battery Backups. Must be ordered as a separate line item.