

Job Name:

Contact:

Ordering Code:

Fixture Type:

# Emergency Battery Back Up

## Description



Iota Engineering's UL Classified LED emergency driver allows the same LED fixture to be used for both normal and emergency operation. In the event of a power failure, the driver switches to the emergency mode and operates the existing fixture at 7 or 12 watts of constant power for 90 minutes. The Constant Power design of the driver maintains the output wattage to the LED array even as the system voltage diminishes. The unit contains a battery, charger, and converter circuit all in a single can. For use with switched or unswitched fixtures. Long life high temperature recyclable Ni-Cad battery in galvanized steel case. Includes single-piece TBTS test switch and charge indicator accessory kit. 5-Year warranty.

## Specifications

Iota Part Number  
Input Voltage (Universal):  
Input Rating (120/277):  
Output Power:  
Emergency Operation:  
Operating Temp: Battery:

## EM7/EM7ITS

ILB-CP07  
120-277VAC, 50/60Hz  
3.5 Watts (max)  
7 Watts (constant)  
90 minutes  
0° to 55° C  
High Temp Nickel-Cadmium  
24 Hour Recharge  
7-10 Year Life Expectancy

## EM12/EM12ITS

ILB-CP12  
120-277VAC, 50/60Hz  
3.7 Watts (max)  
12 Watts (constant)  
90 minutes  
0° to 55° C  
High Temp Nickel-Cadmium 24  
24 Hour Recharge  
7-10 Year Life Expectancy

## Mounting

Battery backup comes pre-wired to the fixture's junction box with 24inch flexible conduit. The battery backup must be mounted in the ceiling independently from the fixture for all fixture mounting options NC/IC/ICAT/CP/RET. It is recommended to have above ceiling access for maintenance of the emergency driver. Optional T-grid mounting kit available (p/n 76066).

## Test Switch Mounting

- Standard (EM7/EM12): Dual flex provided in driver for wiring to both the fixture and remote test switch.
- Integrated (EM7ITS/EM12ITS): Additional enclosure provided with single flex with test switch mounted in fixture.

## Listings

- UL Classified for Field Installation
- UL 1310 Certified, Output Class 2 Compliant
- Meets or exceeds all National Electrical Code and Life Safety Code Emergency Lighting Requirements
- Listed for use in damp locations and in enclosed and gasketed fixtures.

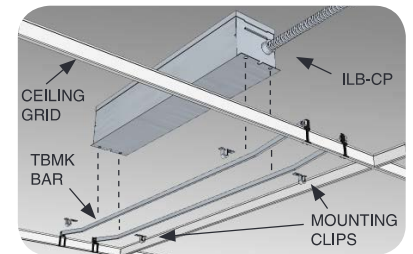
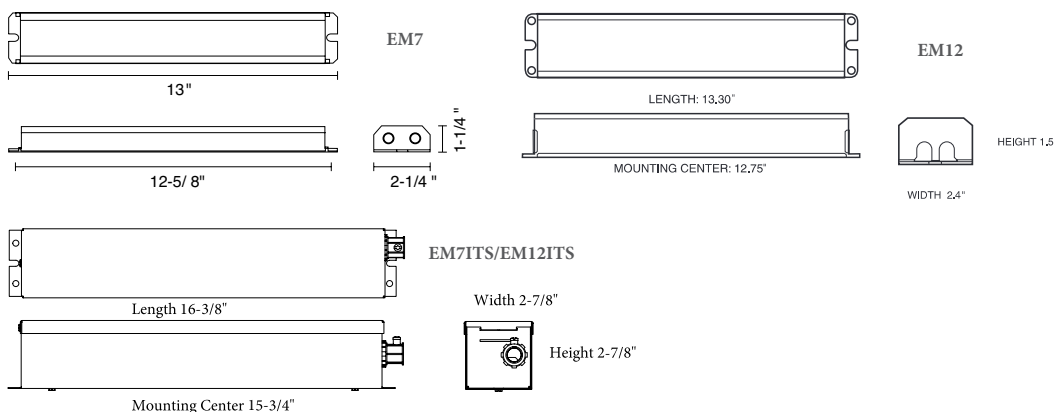
## Ordering Codes

Ordering code to be used in catalog string of individual fixture. Please refer to fixture spec sheet for availability of Emergency Battery Backup.

Code	Type
EM7	Emergency Battery Backup, 90 minutes at 7 Watts to LED
EM7ITS	Emergency Battery Backup, 90 minutes at 7 Watts to LED with Integrated Test Switch
EM12	Emergency Battery Backup, 90 minutes at 12 Watts to LED
EM12ITS	Emergency Battery Backup, 90 minutes at 12 Watts to LED with Integrated Test Switch

## Accessory

**76066** Optional T-Grid Mounting Kit<sup>2</sup>



2. Can be used with any of the Emergency Battery Backups. Must be ordered as a separate line item.

**NU2A**

XTM19	7W EM BACKUP		12W EM BACKUP		BIOS	7W EM BACKUP		12W EM BACKUP	
DELIVERED LM	83 CRI	98 CRI	83 CRI	98 CRI	DELIVERED LM	90 CRI		90 CRI	
07LM	751	608	N/A	920	08LM	485		747	
10LM	751	608	N/A	920					
13LM	751	608	N/A	N/A					

**NU2D**

XTM19	7W EM BACKUP		12W EM BACKUP		BIOS	7W EM BACKUP		12W EM BACKUP	
DELIVERED LM	83 CRI	98 CRI	83 CRI	98 CRI	DELIVERED LM	90 CRI		90 CRI	
07LM	682	553	N/A	836	08LM	440		679	
10LM	682	553	N/A	836					
13LM	682	553	N/A	N/A					

**NU2W**

XTM19	7W EM BACKUP		12W EM BACKUP		BIOS	7W EM BACKUP		12W EM BACKUP	
DELIVERED LM	83 CRI	98 CRI	83 CRI	98 CRI	DELIVERED LM	90 CRI		90 CRI	
07LM	708	574	N/A	868	08LM	457		705	
10LM	708	574	N/A	868					
13LM	708	574	N/A	N/A					

**NU3A**

XTM19	7W EM BACKUP		12W EM BACKUP		BIOS	7W EM BACKUP		12W EM BACKUP	
DELIVERED LM	83 CRI	98 CRI	83 CRI	98 CRI	DELIVERED LM	90 CRI		90 CRI	
07LM	635	514	N/A	778	08LM	410		632	
10LM	635	514	N/A	778					
13LM	635	514	N/A	N/A					

**NU3QA**

XTM19	7W EM BACKUP		12W EM BACKUP		BIOS	7W EM BACKUP		12W EM BACKUP	
DELIVERED LM	83 CRI	98 CRI	83 CRI	98 CRI	DELIVERED LM	90 CRI		90 CRI	
07LM	653	529	N/A	800	08LM	421		649	
10LM	653	529	N/A	800					
13LM	653	529	N/A	N/A					

**NU3D**

XTM19	7W EM BACKUP		12W EM BACKUP		BIOS	7W EM BACKUP		12W EM BACKUP	
DELIVERED LM	83 CRI	98 CRI	83 CRI	98 CRI	DELIVERED LM	90 CRI		90 CRI	
07LM	676	548	N/A	829	08LM	436		673	
10LM	676	548	N/A	829	11LM	436		673	
13LM	676	548	N/A	829					
20LM	719	579	1067	840					
27LM	979	N/A	1356	N/A					

**NU3QD**

XTM19	7W EM BACKUP		12W EM BACKUP		BIOS	7W EM BACKUP		12W EM BACKUP	
DELIVERED LM	83 CRI	98 CRI	83 CRI	98 CRI	DELIVERED LM	90 CRI		90 CRI	
07LM	725	588	N/A	889	08LM	468		722	
10LM	725	588	N/A	889	11LM	468		722	
13LM	725	588	N/A	889					
20LM	771	621	1144	901					
27LM	1050	N/A	1455	N/A					

**NU3W**

XTM19	7W EM BACKUP		12W EM BACKUP		BIOS	7W EM BACKUP		12W EM BACKUP	
DELIVERED LM	83 CRI	98 CRI	83 CRI	98 CRI	DELIVERED LM	90 CRI		90 CRI	
07LM	674	546	N/A	826	08LM	435		671	
10LM	674	546	N/A	826	11LM	435		671	
13LM	674	546	N/A	826					
20LM	717	577	1063	837					
27LM	975	N/A	1352	N/A					

**NU3QW**

XTM19	7W EM BACKUP		12W EM BACKUP		BIOS	7W EM BACKUP		12W EM BACKUP	
DELIVERED LM	83 CRI	98 CRI	83 CRI	98 CRI	DELIVERED LM	90 CRI		90 CRI	
07LM	656	531	N/A	803	08LM	423		652	
10LM	656	531	N/A	803	11LM	423		652	
13LM	656	531	N/A	803					
20LM	697	561	1034	814					
27LM	949	N/A	1315	N/A					

**NU4A**

XTM19	7W EM BACKUP		12W EM BACKUP		BIOS	7W EM BACKUP		12W EM BACKUP	
DELIVERED LM	83 CRI	98 CRI	83 CRI	98 CRI	DELIVERED LM	90 CRI		90 CRI	
07LM	715	580	N/A	877	08LM	462		712	
10LM	715	580	N/A	877	11LM	462		712	
13LM	715	580	N/A	877					
20LM	761	612	1128	N/A					
27LM	1035	N/A	1434	N/A					

**NU4QA**

XTM19	7W EM BACKUP		12W EM BACKUP		BIOS	7W EM BACKUP		12W EM BACKUP	
DELIVERED LM	83 CRI	98 CRI	83 CRI	98 CRI	DELIVERED LM	90 CRI		90 CRI	
07LM	729	591	N/A	893	08LM	470		725	
10LM	729	591	N/A	893	11LM	470		725	
13LM	729	591	N/A	893					
20LM	775	624	1150	N/A					
27LM	1054	N/A	1461	N/A					

**NU4D**

XTM19	7W EM BACKUP		12W EM BACKUP		BIOS	7W EM BACKUP		12W EM BACKUP	
	DELIVERED LM	83 CRI	98 CRI	83 CRI		98 CRI	DELIVERED LM	90 CRI	90 CRI
07LM	722	585	N/A	884	08LM	466		718	
10LM	722	585	N/A	884	11LM	466		718	
13LM	722	585	N/A	884	16LM	466		718	
20LM	767	618	1138	896					
30LM	867	N/A	1244	N/A					
40LM	931	N/A	1316	N/A					

**NU4QD**

XTM19	7W EM BACKUP		12W EM BACKUP		BIOS	7W EM BACKUP		12W EM BACKUP	
	DELIVERED LM	83 CRI	98 CRI	83 CRI		98 CRI	DELIVERED LM	90 CRI	90 CRI
07LM	715	579	N/A	876	08LM	461		711	
10LM	715	579	N/A	876	11LM	461		711	
13LM	715	579	N/A	876	16LM	461		711	
20LM	760	612	1127	888					
30LM	858	N/A	1232	N/A					
40LM	922	N/A	1304	N/A					

**NU4W**

XTM19	7W EM BACKUP		12W EM BACKUP		BIOS	7W EM BACKUP		12W EM BACKUP	
	DELIVERED LM	83 CRI	98 CRI	83 CRI		98 CRI	DELIVERED LM	90 CRI	90 CRI
07LM	699	566	N/A	857	08LM	451		695	
10LM	699	566	N/A	857	11LM	451		695	
13LM	699	566	N/A	857	16LM	451		695	
20LM	743	598	1103	868					
30LM	840	N/A	1205	N/A					
40LM	902	N/A	1275	N/A					

**NU4QW**

XTM19	7W EM BACKUP		12W EM BACKUP		BIOS	7W EM BACKUP		12W EM BACKUP	
	DELIVERED LM	83 CRI	98 CRI	83 CRI		98 CRI	DELIVERED LM	90 CRI	90 CRI
07LM	682	553	N/A	836	08LM	440		678	
10LM	682	553	N/A	836	11LM	440		678	
13LM	682	553	N/A	836	16LM	440		678	
20LM	725	584	1076	847					
30LM	819	N/A	1175	N/A					
40LM	880	N/A	1244	N/A					

**NU6A**

XTM19	7W EM BACKUP		12W EM BACKUP		BIOS	7W EM BACKUP		12W EM BACKUP	
	DELIVERED LM	83 CRI	98 CRI	83 CRI		98 CRI	DELIVERED LM	90 CRI	90 CRI
07LM	743	602	N/A	911	08LM	480		739	
10LM	743	602	N/A	911	11LM	480		739	
13LM	743	602	N/A	911	16LM	480		739	
20LM	790	636	1172	923					
30LM	893	N/A	1281	1158					
40LM	959	N/A	1356	N/A					

**NU6QA**

XTM19	7W EM BACKUP		12W EM BACKUP		BIOS	7W EM BACKUP		12W EM BACKUP	
	DELIVERED LM	83 CRI	98 CRI	83 CRI		98 CRI	DELIVERED LM	90 CRI	90 CRI
07LM	745	604	N/A	913	08LM	481		742	
10LM	745	604	N/A	913	11LM	481		742	
13LM	745	604	N/A	913	16LM	481		742	
20LM	793	638	1176	926					
30LM	895	N/A	1285	1161					
40LM	962	N/A	1360	N/A					

**NU6D**

XTM19	7W EM BACKUP		12W EM BACKUP		BIOS	7W EM BACKUP		12W EM BACKUP	
	DELIVERED LM	83 CRI	98 CRI	83 CRI		98 CRI	DELIVERED LM	90 CRI	90 CRI
07LM	710	576	N/A	871	08LM	458		707	
10LM	710	576	N/A	871	11LM	458		707	
13LM	710	576	N/A	871	16LM	458		707	
20LM	755	608	1121	883	21LM	458		707	
30LM	853	790	1225	1107					
40LM	917	N/A	1296	N/A					
50LM	1028	N/A	1425	N/A					

**NU6QD**

XTM19	7W EM BACKUP		12W EM BACKUP		BIOS	7W EM BACKUP		12W EM BACKUP	
	DELIVERED LM	83 CRI	98 CRI	83 CRI		98 CRI	DELIVERED LM	90 CRI	90 CRI
07LM	784	635	N/A	960	08LM	506		780	
10LM	784	635	N/A	960	11LM	506		780	
13LM	784	635	N/A	960	16LM	506		780	
20LM	833	671	1236	973	21LM	506		780	
30LM	941	871	1350	1221					
40LM	1011	N/A	1429	N/A					
50LM	1134	N/A	1572	N/A					

**NU6W**

XTM19	7W EM BACKUP		12W EM BACKUP		BIOS	7W EM BACKUP		12W EM BACKUP	
	DELIVERED LM	83 CRI	98 CRI	83 CRI		98 CRI	DELIVERED LM	90 CRI	90 CRI
07LM	659	534	N/A	807	08LM	425		656	
10LM	659	534	N/A	807	11LM	425		656	
13LM	659	534	N/A	807	16LM	425		656	
20LM	701	564	1039	818	21LM	425		656	
30LM	791	733	1136	1027					
40LM	850	N/A	1202	N/A					
50LM	953	N/A	1321	N/A					

**NU6QW**

XTM19	7W EM BACKUP		12W EM BACKUP		BIOS	7W EM BACKUP		12W EM BACKUP	
	DELIVERED LM	83 CRI	98 CRI	83 CRI		98 CRI	DELIVERED LM	90 CRI	90 CRI
07LM	695	563	N/A	852	08LM	449		692	
10LM	695	563	N/A	852	11LM	449		692	
13LM	695	563	N/A	852	16LM	449		692	
20LM	739	595	1097	864	21LM	449		692	
30LM	835	773	1198	1083					
40LM	897	N/A	1268	N/A					
50LM	1006	N/A	1394	N/A					

**NU4A PRIME**

XTM19	7W EM BACKUP		12W EM BACKUP		BIOS	7W EM BACKUP		12W EM BACKUP	
	DELIVERED LM	83 CRI	98 CRI	83 CRI		98 CRI	DELIVERED LM	90 CRI	90 CRI
07LM	722	585	N/A	884	08LM	466	718		
10LM	722	585	N/A	884	11LM	466	718		
13LM	722	585	N/A	884	16LM	466	718		
20LM	767	618	1138	896					
30LM	867	N/A	1244	N/A					
40LM	931	N/A	1316	N/A					

**NU6W PRIME**

XTM19	7W EM BACKUP		12W EM BACKUP		BIOS	7W EM BACKUP		12W EM BACKUP	
	DELIVERED LM	83 CRI	98 CRI	83 CRI		98 CRI	DELIVERED LM	90 CRI	90 CRI
07LM	710	576	N/A	871	08LM	458	707		
10LM	710	576	N/A	871	11LM	458	707		
13LM	710	576	N/A	871	16LM	458	707		
20LM	755	608	1121	883	21LM	458	707		
30LM	853	790	1225	1107					
40LM	917	N/A	1296	N/A					
50LM	1028	N/A	1425	N/A					

**NU4D PRIME**

XTM19	7W EM BACKUP		12W EM BACKUP		BIOS	7W EM BACKUP		12W EM BACKUP	
	DELIVERED LM	83 CRI	98 CRI	83 CRI		98 CRI	DELIVERED LM	90 CRI	90 CRI
07LM	722	585	N/A	884	08LM	466	718		
10LM	722	585	N/A	884	11LM	466	718		
13LM	722	585	N/A	884	16LM	466	718		
20LM	767	618	1138	896					
30LM	867	N/A	1244	N/A					
40LM	931	N/A	1316	N/A					

**NU4W PRIME**

XTM19	7W EM BACKUP		12W EM BACKUP		BIOS	7W EM BACKUP		12W EM BACKUP	
	DELIVERED LM	83 CRI	98 CRI	83 CRI		98 CRI	DELIVERED LM	90 CRI	90 CRI
07LM	722	585	N/A	884	08LM	466	718		
10LM	722	585	N/A	884	11LM	466	718		
13LM	722	585	N/A	884	16LM	466	718		
20LM	767	618	1138	896					
30LM	867	N/A	1244	N/A					
40LM	931	N/A	1316	N/A					

**NU6A PRIME**

XTM19	7W EM BACKUP		12W EM BACKUP		BIOS	7W EM BACKUP		12W EM BACKUP	
	DELIVERED LM	83 CRI	98 CRI	83 CRI		98 CRI	DELIVERED LM	90 CRI	90 CRI
07LM	710	576	N/A	871	08LM	458	707		
10LM	710	576	N/A	871	11LM	458	707		
13LM	710	576	N/A	871	16LM	458	707		
20LM	755	608	1121	883	21LM	458	707		
30LM	853	790	1225	1107					
40LM	917	N/A	1296	N/A					
50LM	1028	N/A	1425	N/A					

**NU6D PRIME**

XTM19	7W EM BACKUP		12W EM BACKUP		BIOS	7W EM BACKUP		12W EM BACKUP	
	DELIVERED LM	83 CRI	98 CRI	83 CRI		98 CRI	DELIVERED LM	90 CRI	90 CRI
07LM	710	576	N/A	871	08LM	458	707		
10LM	710	576	N/A	871	11LM	458	707		
13LM	710	576	N/A	871	16LM	458	707		
20LM	755	608	1121	883	21LM	458	707		
30LM	853	790	1225	1107					
40LM	917	N/A	1296	N/A					
50LM	1028	N/A	1425	N/A					