

alphabet

PROJECT INFORMATION		
JOB NAME		TYPE
ORDERING CODE		

BETA6

6" Cylinder Standard White



30° - 70° BEAM (Note: Specifications are subject to change without notice)		
14mm COB PERFORMANCE DATA		
LED LIGHT ENGINE	NOMINAL DELIVERED LUMENS	SYSTEM WATTAGE
10LM	980LM @30K/80CRI	9W
15LM	1200LM @30K/80CRI	11W
20LM	1650LM @30K/80CRI	15W
25LM	2110LM @30K/80CRI	18W
30LM	2650LM @30K/80CRI	23W
35LM	3120LM @30K/80CRI	28W
40LM	3710LM @30K/80CRI	35W
45LM	4090LM @30K/80CRI	40W
10LM	830LM @30K/90CRI	9W
15LM	1020LM @30K/90CRI	11W
20LM	1410LM @30K/90CRI	15W
25LM	1790LM @30K/90CRI	18W
30LM	2250LM @30K/90CRI	23W
35LM	2650LM @30K/90CRI	28W
40LM	3150LM @30K/90CRI	35W
45LM	3480LM @30K/90CRI	40W
Notes	Delivered lumens based on HE60, 3000K (see page 2)	

10° BEAM (Note: Specifications are subject to change without notice)		
9mm COB PERFORMANCE DATA		
LED LIGHT ENGINE	NOMINAL DELIVERED LUMENS	SYSTEM WATTAGE
10LM	930LM @30K/80CRI	9W
15LM	1380LM @30K/80CRI	12W
20LM	1740LM @30K/80CRI	17W
25LM	2160LM @30K/80CRI	21W
30LM	2710LM @30K/80CRI	28W
35LM	3090LM @30K/80CRI	34W
40LM	3580LM @30K/80CRI	41W
10LM	810LM @30K/90CRI	9W
15LM	1190LM @30K/90CRI	12W
20LM	1510LM @30K/90CRI	17W
25LM	1870LM @30K/90CRI	21W
30LM	2350LM @30K/90CRI	28W
35LM	2680LM @30K/90CRI	34W
40LM	3100LM @30K/90CRI	41W
Notes	Delivered lumens based on S10, no Lens, 3000K (see page 2)	

eldoLED
your project | our drive



CASAMBI

FEATURES

- Seamless extrusion with powder coated finish for clean aesthetics
- Thermally optimized for longevity
- 30° - 70° beam spread
- UGR < 19
- Micro slim canopy option at 1/4" depth, diameter of stem 3/8" IP
- Multiple mounting, glare control options, trims and finishes available

DIMMING AND CONTROLS

- eldoLED flicker free 0-10V dimming to 1% and 0%
- eldoLED flicker free DALI dimming to 1% and 0%
- DMX dim to zero
- Lutron Hi-lumen 2-Wire (Triac and Eco System) dimming to 0.1% and 1%
- Leading & trailing edge (Triac/ELV) dimming to 1%
- Casambi bluetooth dimming to 0.1%

CONSTRUCTION

- Extruded aluminum housing
- Lexan™ (PC) Optimal connectivity for wireless control signal
- Machined aluminum canopy
- SVT pendant cord

LED

- 90 CRI: SDCM = 2-step MacAdam Ellipse, Lumen Maintenance: L₇₀ > 66,000 hrs
- 80 CRI: SDCM = 2-step MacAdam Ellipse, Lumen Maintenance: L₇₀ > 66,000 hrs

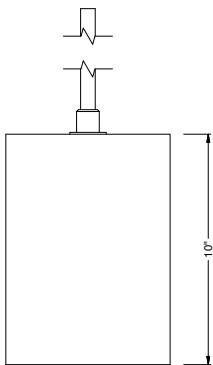
LISTING

- ULus Listed to UL1598 & UL2108; cUL Listed to CSA C22.2 #250.0
- Suitable for dry and damp locations
- 5 Year Limited warranty

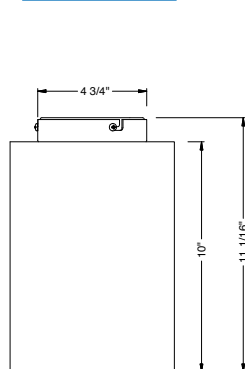
ELECTRICAL

- 120V-277V, 120 only Triac / ELV
- Power factory ≥ 0.9
- 2kV driver input surge protection
- Remote emergency test switch
- 7 W, 10W (T20 CEC) and 12W EM 90min battery

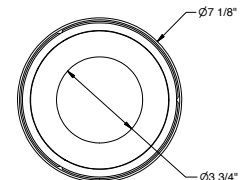
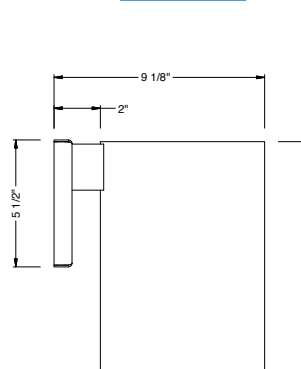
PENDANT



SURFACE MOUNT



WALL MOUNT



alphabet

PROJECT INFORMATION		
JOB NAME		TYPE
ORDERING CODE		

30° - 70° ORDERING CODE

SERIES	BETA	BETA
TYPE	6R	6" round
LED	SW	standard white
DELIVERED LUMENS	10LM	980 lm
	15LM	1200 lm
	20LM	1650 lm
	25LM	2110 lm
	30LM	2650 lm
	35LM	3120 lm
	40LM	3710 lm
	45LM	4090 lm
Standard Configuration: 3000K 80CRI HE60		
Calculated Delivered Lumens = [Delivered Lumen Value] x [CCT Multiplier]		
CCT	27K	2700K
	30K	3000K
	35K	3500K
	40K	4000K
CRI	80	80 CRI
	90	90 CRI
OPTIC & LM MULTIPLIER	HE40	40° high efficiency diffused lens (0.99)
	HE60	60° high efficiency diffused lens (1.00)
	HE80	80° high efficiency diffused lens (0.96)
	SS30	30° semi-specular with clear lens (0.89)
	SS40	40° semi-specular with clear lens (0.90)
	SS60	60° semi-specular with clear lens (0.92)
	D40	40° diffused with clear lens (0.86)
	D60	60° diffused with clear lens (0.90)
	WH70	70° brilliant white with clear lens (0.99)
10° narrow beam angle, see page 2 for details.		
ACCESSORY	HCL ¹	honeycomb louver
BEZEL LENS	NL ²	no lens
FINISH	BK	black (0.98)
	WH	white (1.00)
	MC	matte chrome (0.99)
BEZEL COLOR	BK	black (0.98)
	WH	white (1.00)
	MC	matte chrome (0.99)
	BZ	bronze (0.98)
	WT	wheat (0.99)

30° - 70° ORDERING CODE

MOUNTING OPTIONS SEE PAGE 7	W	wall mount
	S	surface mount
	JCOV-S	conduit junction box cover with knockouts, surface
	AC6	aircraft cable canopy with power cord, 6ft
	AC8	aircraft cable canopy with power cord, 8ft
	AC10	aircraft cable canopy with power cord, 10ft
	AC12	aircraft cable canopy with power cord, 12ft
	RP	rigid pendant 4' stem with swivel stem/canopy
	RP5	rigid pendant 5' stem with swivel stem/canopy
	RP6	rigid pendant 6' stem with swivel stem/canopy
	RP8	rigid pendant 8' stem with swivel stem/canopy
	RP10	rigid pendant 10' stem with swivel stem/canopy
	RPF2	rigid pendant 2' with fixed stem/canopy
RPF3	rigid pendant 3' with fixed stem/canopy	
RPF4	rigid pendant 4' with fixed stem/canopy	
RPF6	rigid pendant 6' with fixed stem/canopy	
JCOV-XX ³	conduit junction box cover with knockouts, complete XX code with desired pendant mount	
VOLTAGE	120	120V
	UNV	120V-277V
DIMMING	DIM10	eldoLED flicker free 0-10V dimming to 1%
	DIM10Z	eldoLED flicker free 0-10V dimming to 0%
	DALI	eldoLED flicker free DALI dimming to 1%
	DALIZ	eldoLED flicker free DALI dimming to 0%
	DMXZ ⁴	DMX dim to zero
	LTE ^{5,6}	Lutron Hi-lume 2-Wire (Triac) dimming to 1%
	LUT ⁶	Lutron Hi-lume Ecosystem dimming to 1%, Soft-on & Fade-to-Black
	LUTP ⁷	Lutron Hi-lume Premier Ecosystem dimming to 0.1%, Soft-on & Fade-to-Black
ELECTRICAL OPTIONS	ELV1 ^{5,6}	leading & trailing edge (Triac/ELV) dimming to 1%
	CAS	Casambi Bluetooth control with flicker free 1% dimming
	EM7	remote emergency battery backup, 90 minutes at 7 watts to LED
	EM12	remote emergency battery backup, 90 minutes at 12 watts to LED
	EM10CA20	remote emergency battery backup, 90 minutes at 10W to LED, CA title 20

YOUR COMPLETED ORDERING CODE

Follow the steps to specify your fixture, example:
BETA - 6R - SW - 30LM - 35K - 80 - HE80 - WH - WH - P - UNV - DIM10 - EM7

NOTES

- HCL not available with lens. Multiplier: Delivered Lumens (0.78) / Beam Spread (0.80).
- NL option available for SS30/SS40/SS60/D40/D60/WH70.
- JCOV available with RPF mounting.
- DMX not available with AC mounting.
- ELV1/LTE available in 120V.
- ELV1/LTE/LUT not available in 45LM.
- LUTP not available in 25LM/30LM/35LM/40LM/45LM.

*Slim canopy with rigid stem connection shall be used in jurisdictions that DO NOT require light fixtures to freely swing in lateral directions, complying with local and national building codes.

*RP mounting with swivel is recommended to be installed on a 4in square or 4in deep regress 2-1/8" octagonal junction box.

*EldoLED uses logarithmic dimming curve as standard. For linear dimming curve, add "LIN" after dimming code, i.e., DIM10LIN.

alphabet

PROJECT INFORMATION		
JOB NAME		TYPE
ORDERING CODE		

10° NARROW BEAM - ORDERING CODE

SERIES	BETA	BETA									
TYPE	6R	6" round									
LED	SW	standard white									
DELIVERED LUMENS	10LM	930 lm									
	15LM	1380 lm									
	20LM	1740 lm									
	25LM	2160 lm									
	30LM	2710 lm									
	35LM	3090 lm									
	40LM	3580 lm									
Standard Configuration: 3000K 80CRI											
Calculated Delivered Lumens = [Delivered Lumen Value] x [CCT Multiplier]											
CCT	27K	2700K	CCT	2700K	3000K	3500K	4000K				
	30K	3000K	CRI	80+	90+	80+	90+	80+	90+		
	35K	3500K	CCT MULTIPLIER FOR LUMEN OUTPUT	0.96	0.81	1	0.85	1.03	0.88	1.06	0.91
	40K	4000K									
CRI	80	80 CRI									
	90	90 CRI									
OPTIC & LM MULTIPLIER	S10	10° specular with clear lens									
ACCESSORY	HCL ¹	honeycomb louver									
BEZEL LENS	NL	no lens									
FINISH	BK	black									
	WH	white									
	MC	matte chrome									
BEZEL COLOR	BK	black	(0.98)								
	WH	white	(1.00)								
	MC	matte chrome	(0.99)								
	BZ	bronze	(0.98)								
	WT	wheat	(0.99)								

10° NARROW BEAM - ORDERING CODE

MOUNTING OPTIONS SEE PAGE 7	W	wall mount
	S	surface mount
	JCOV-S	conduit junction box cover with knockouts, surface
	AC6	aircraft cable canopy with power cord, 6ft
	AC8	aircraft cable canopy with power cord, 8ft
	AC10	aircraft cable canopy with power cord, 10ft
	AC12	aircraft cable canopy with power cord, 12ft
	RP	rigid pendant 4' stem with swivel stem/canopy
	RP5	rigid pendant 5' stem with swivel stem/canopy
	RP6	rigid pendant 6' stem with swivel stem/canopy
	RP8	rigid pendant 8' stem with swivel stem/canopy
	RP10	rigid pendant 10' stem with swivel stem/canopy
	RPF3	rigid pendant 3' with fixed stem/canopy
RPF4	rigid pendant 4' with fixed stem/canopy	
RPF6	rigid pendant 6' with fixed stem/canopy	
RPF2	rigid pendant 2' with fixed stem/canopy	
JCOV-XX²	conduit junction box cover with knockouts, complete XX code with desired pendant mount	
VOLTAGE	120	120V
	UNV	120V-277V
DIMMING	DIM10	eldoLED flicker free 0-10V dimming to 1%
	DIM10Z	eldoLED flicker free 0-10V dimming to 0%
	DALI	eldoLED flicker free DALI dimming to 1%
	DALIZ	eldoLED flicker free DALI dimming to 0%
	DMX³	DMX dim to zero
	LTE^{4,5}	Lutron Hi-lume 2-Wire (Triac) dimming to 1%
	LUT⁵	Lutron Hi-lume Ecosystem dimming to 1%, Soft-on & Fade-to-Black
	LUTP⁶	Lutron Hi-lume Premier Ecosystem dimming to 0.1%, Soft-on & Fade-to-Black
ELVI^{4,5}	leading & trailing edge (Triac/ELV) dimming to 1%	
CAS	Casambi Bluetooth control with flicker free 1% dimming	
ELECTRICAL OPTIONS	EM7	remote emergency battery backup, 90 minutes at 7 watts to LED
	EM12	remote emergency battery backup, 90 minutes at 12 watts to LED
	EM10CA20	remote emergency battery backup, 90 minutes at 10W to LED, CA title 20

YOUR COMPLETED ORDERING CODE

Follow the steps to specify your fixture, example:
BETA - 6R - SW - 30LM - 35K - 80 - S10 - WH - WH - P - UNV - DIM10 - EM7

NOTES

- HCL not available with lens. Multiplier: Delivered Lumens (0.78) / Beam Spread (0.80).
- JCOV available with RPF mounting.
- DMX not available with AC mounting.
- ELVI/LTE available in 120V.
- ELVI/LTE/LUT not available in 45LM.
- LUTP not available in 25LM/30LM/35LM/40LM/45LM.

*Slim canopy with rigid stem connection shall be used in jurisdictions that DO NOT require light fixtures to freely swing in lateral directions, complying with local and national building codes.

*RP mounting with swivel is recommended to be installed on a 4in square or 4in deep regress 2-1/8" octagonal junction box.

*EldoLED uses logarithmic dimming curve as standard. For linear dimming curve, add "LIN" after dimming code, i.e., DIM10LIN.

alphabet

PROJECT INFORMATION		
JOB NAME		TYPE
ORDERING CODE		

TRIM OPTIONS

TRIM/BEZEL COLORS



OPTICAL OPTIONS

- UGR calculation based on CIE 117-1995; room size: 4H X 8H, reflectance: 70/50/20;
- UGR calculation based on 15LM fixtures.



OPTIC	BEAM ANGLE	UGR
S10	9	11.9
SS30	33	11.8
SS40	36	13.8
SS50	48	14.2
D30	32	11
D60	61	15.6
WH75	75	18.5



OPTIC	BEAM ANGLE	UGR
HE40	40	15.9
HE60	58	18.4
HE80	82	20.8

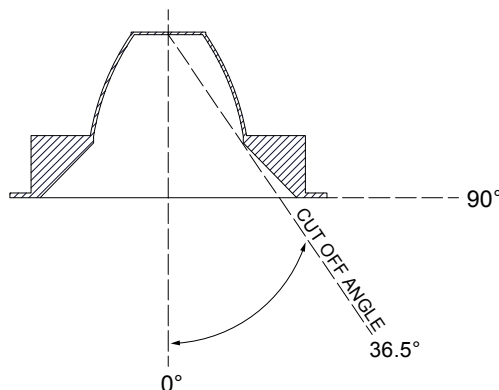
GLARE CONTROL

CUT-OFF ANGLE

Visual comfort is achieved with a lower cut-off angle due to improved glare control. The smaller the cut-off angle, the easier it is on the eye.

Alphabet downlights have been thoughtfully engineered to eliminate glare while still delivering functional illumination.

- Cutoff angle of NL and CL is 36.5 degrees



alphabet

PROJECT INFORMATION		
JOB NAME		TYPE
ORDERING CODE		

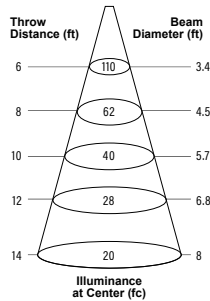
PHOTOMETRIC DATA

20LM CCT MULTIPLIERS

	80CRI	90CRI
2700K	0.96	0.81
3000K	1	0.85
3500K	1.03	0.88
4000K	1.06	0.91

FC Formula = CBCP / Distance²

D30 32° DIFFUSED WITH CLEAR LENS



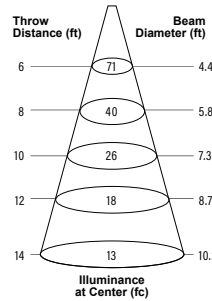
WATTS: 14.3 LPW: 113.3

LUMENS: 1620 CCT: 3000K

INTENSITY

DEGREE	CANDELA
0	3978
5	3698
15	2127
25	943
35	332
45	33

HE40 40° HIGH EFFICIENCY DIFFUSED LENS



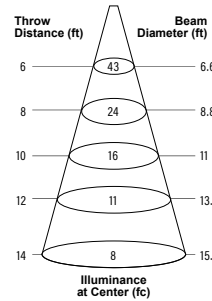
WATTS: 14.3 LPW: 115.1

LUMENS: 1646 CCT: 3000K

INTENSITY

DEGREE	CANDELA
0	2566
5	2450
15	1714
25	916
35	454
45	207

HE60 58° HIGH EFFICIENCY DIFFUSED LENS



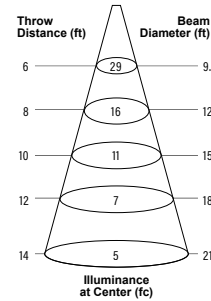
WATTS: 14.3 LPW: 115.7

LUMENS: 1654 CCT: 3000K

INTENSITY

DEGREE	CANDELA
0	1566
5	1533
15	1294
25	928
35	574
45	303

WH75 75° BRILLIANT WHITE WITH CLEAR LENS



WATTS: 14.3 LPW: 108.3

LUMENS: 1549 CCT: 3000K

INTENSITY

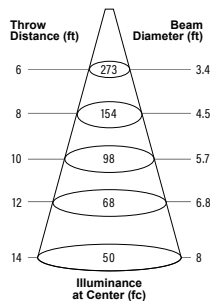
DEGREE	CANDELA
0	1056
5	1049
15	1004
25	928
35	691
45	248

45LM CCT MULTIPLIERS

	80CRI	90CRI
2700K	0.96	0.81
3000K	1	0.85
3500K	1.03	0.88
4000K	1.06	0.91

FC Formula = CBCP / Distance²

D30 32° DIFFUSED WITH CLEAR LENS



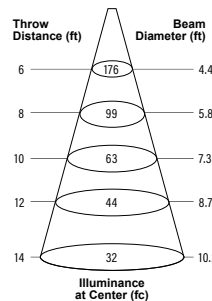
WATTS: 39.9 LPW: 100.4

LUMENS: 4007 CCT: 3000K

INTENSITY

DEGREE	CANDELA
0	9842
5	9150
15	5262
25	2334
35	822
45	83

HE40 40° HIGH EFFICIENCY DIFFUSED LENS



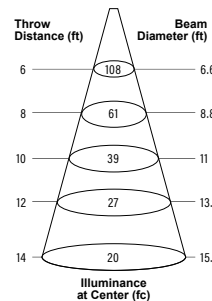
WATTS: 39.9 LPW: 102.1

LUMENS: 4073 CCT: 3000K

INTENSITY

DEGREE	CANDELA
0	6348
5	6062
15	4241
25	2266
35	1122
45	512

HE60 58° HIGH EFFICIENCY DIFFUSED LENS



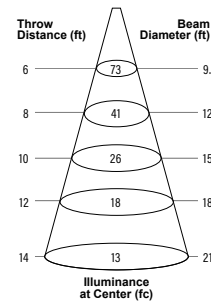
WATTS: 39.9 LPW: 102.6

LUMENS: 4092 CCT: 3000K

INTENSITY

DEGREE	CANDELA
0	3874
5	3792
15	3203
25	2296
35	1421
45	749

WH75 75° BRILLIANT WHITE WITH CLEAR LENS



WATTS: 39.9 LPW: 96.1

LUMENS: 3833 CCT: 3000K

INTENSITY

DEGREE	CANDELA
0	2612
5	2595
15	2483
25	2295
35	1710
45	614

alphabet

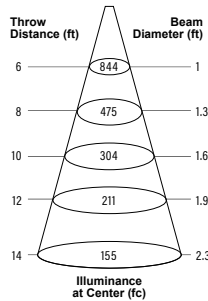
PROJECT INFORMATION		
JOB NAME		TYPE
ORDERING CODE		

PHOTOMETRIC DATA

20LM CCT MULTIPLIERS

	80CRI	90CRI
2700K	0.96	0.81
3000K	1	0.85
3500K	1.03	0.88
4000K	1.06	0.91
FC Formula = CBCP / Distance ²		

S10-NL 9° SPECULAR WITH NO LENS



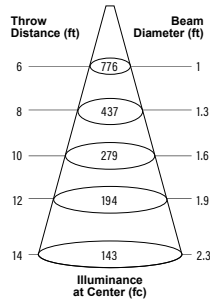
WATTS: 16.3 LPW: 106.7

LUMENS: 1739 CCT: 3000K

INTENSITY

DEGREE	CANDELA
0	30376
5	13562
15	771
25	628
35	485
45	11

S10 9° SPECULAR WITH CLEAR LENS



WATTS: 16.3 LPW: 98.2

LUMENS: 1600 CCT: 3000K

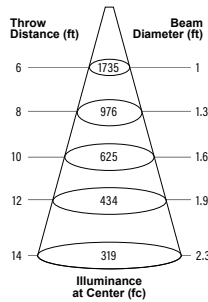
INTENSITY

DEGREE	CANDELA
0	27944
5	12477
15	709
25	578
35	446
45	10

40LM CCT MULTIPLIERS

	80CRI	90CRI
2700K	0.96	0.81
3000K	1	0.85
3500K	1.03	0.88
4000K	1.06	0.91
FC Formula = CBCP / Distance ²		

S10-NL 9° SPECULAR WITH NO LENS



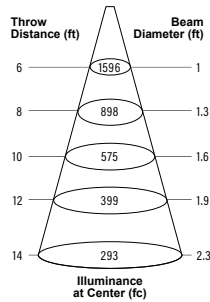
WATTS: 40.8 LPW: 87.7

LUMENS: 3576 CCT: 3000K

INTENSITY

DEGREE	CANDELA
0	62460
5	27887
15	1586
25	1292
35	998
45	22

S10 9° SPECULAR WITH CLEAR LENS



WATTS: 40.8 LPW: 80.6

LUMENS: 3290 CCT: 3000K

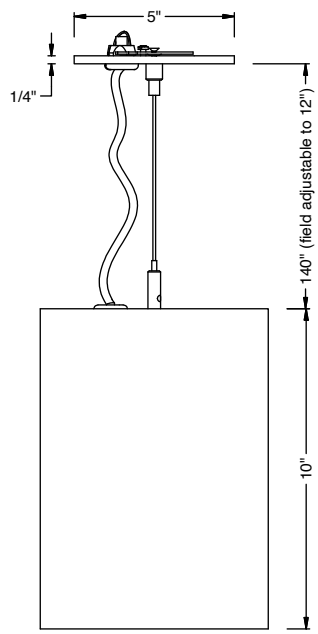
INTENSITY

DEGREE	CANDELA
0	57461
5	25655
15	1459
25	1189
35	918
45	20

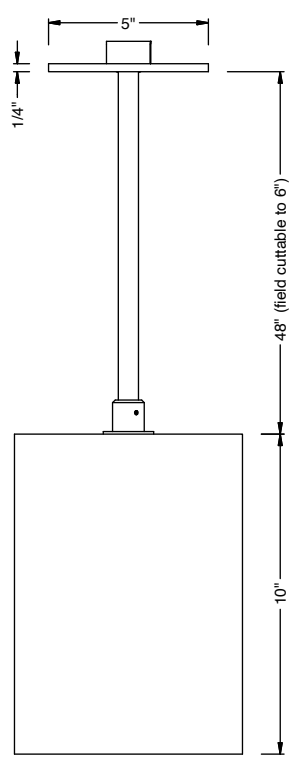
alphabet

PROJECT INFORMATION		
JOB NAME		TYPE
ORDERING CODE		

MOUNTING OPTIONS

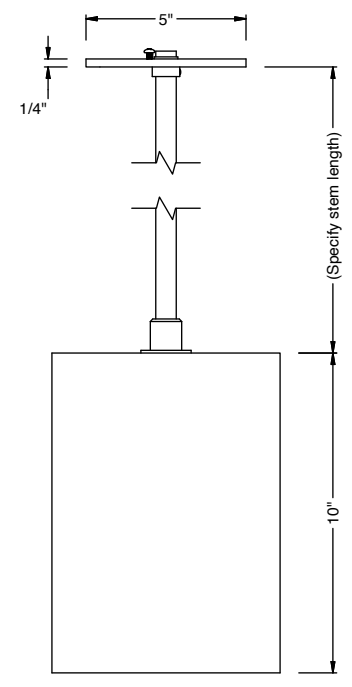
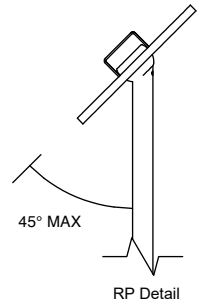


PENDING
DIM10 / ELV1 / LUTP / DALI / CAS

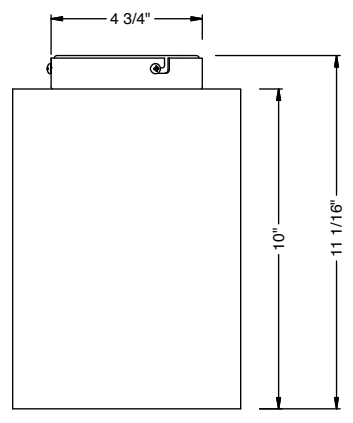
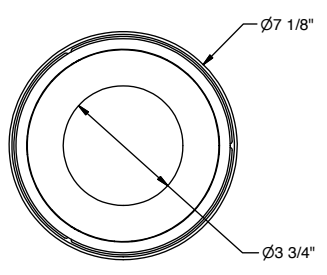


RP SWIVEL
DIM10 / ELV1 / LUTP / DALI / DMX / CAS

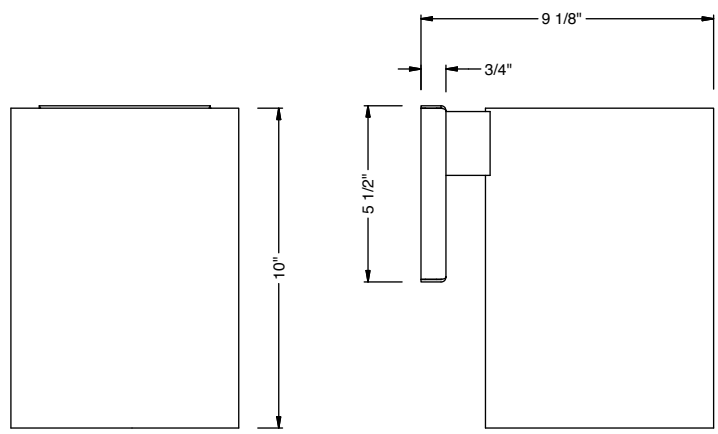
- H
 RP 48-3/8" (field adjustable to 6")
 RP5 60-3/8" (field adjustable to 6")
 RP6 72-3/8" (field adjustable to 6")
 RP8 96-3/8" (field adjustable to 54")
 RP10 120-3/8" (field adjustable to 66")



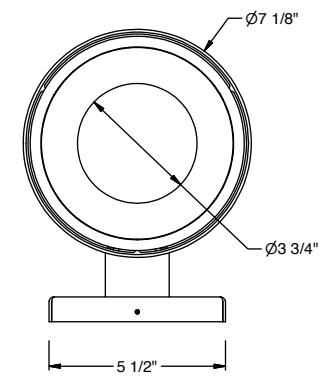
RP FIXED
DIM10 / ELV1 / LUTP / DALI / DMX / CAS



SURFACE
DIM10 / ELV1 / LUTP / DALI / DMX



WALL MOUNT
DIM10 / ELV1 / LUTP / DALI / DMX



PROJECT INFORMATION		
JOB NAME		TYPE
ORDERING CODE		

BATTERY OPTIONS

EMERGENCY BATTERY

IOTA's ILB battery backups are UL Listed LED emergency drivers that allow the same LED fixture to be used for both normal and emergency operation. In the event of a power failure, the ILB switches to the emergency mode and operates the existing fixture for 90 minutes. The unit contains a battery, charger, and converter circuit in a single can. The constant power design of the ILB maintains the output wattage to the LED array even as the system voltage diminishes. UL 924 Listed for U.S. and Canada. UL 1310 Certified, output class 2 compliant. Includes single-piece TBTS test switch and charge indicator accessory kit. For use with switched and unswitched fixtures, and includes two-wire universal AC input. Meets or exceeds all National Electric Code and Life Safety Code Emergency Lighting requirements. Rated for use in plenum, damp location, recessed type IC, and enclosed and gasketed luminaires.

REMOTE TEST SWITCH

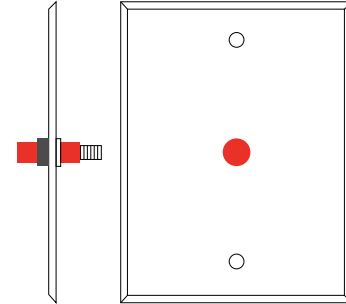
The remote test switch may be mounted adjacent to the LED Fixture by others.

EMERGENCY BATTERY ACCESS

Above ceiling access is recommended for ease of service.

REMOTE LOCATION

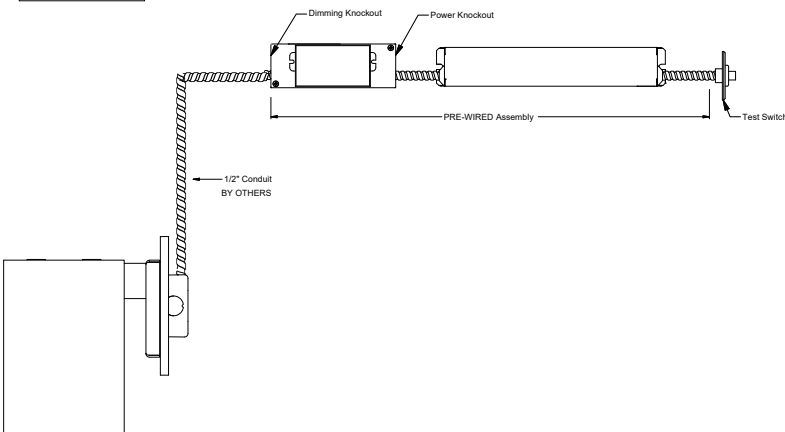
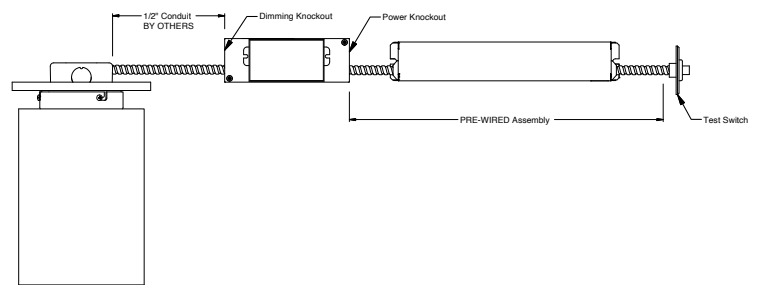
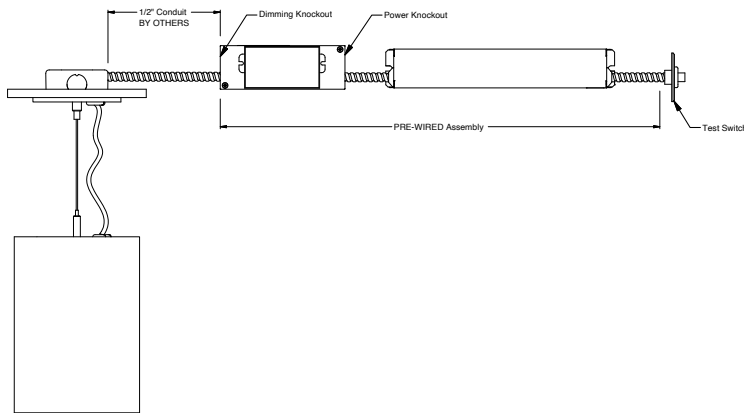
Maximum remote mounting distance of the emergency driver shall be 50 feet. Remote location wiring provided by others. Follow all local and national electric/building codes.



Remote Test Switch

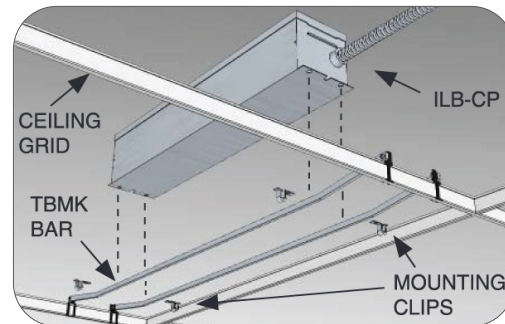
EM MODE OUTPUT (DELIVERED LUMENS)			
LUMEN ORDERING CODE	EM7	EM10	EM12
ALL OPTIONS (10LM TO 50LM)	880LM	1280LM	1480LM
Notes: Based on 30K, 80CRI			

REMOTE BATTERY



Accessory

76066 Optional T-Grid Mounting Kit¹



1. Can be used with any of the Emergency Battery Backups. Must be ordered as a separate line item.