

BETA

6" Cylinder Tunable White



PROJECT INFORMATION		
JOB NAME		TYPE
ORDERING CODE		

35° - 85° BEAM (Note: Specifications are subject to change without notice)		
18mm LUMINUS COB PERFORMANCE DATA		
LED LIGHT ENGINE	NOMINAL DELIVERED LUMENS	SYSTEM WATTAGE
10LM	941LM @35K/95CRI	13W
15LM	1341LM @35K/95CRI	18W
20LM	1832LM @35K/95CRI	23W
Notes	Delivered lumens based on HE60, 3500K (see page 2)	



CASAMBI

35° - 80° BEAM (Note: Specifications are subject to change without notice)		
18mm NICHIA COB PERFORMANCE DATA		
LED LIGHT ENGINE	NOMINAL DELIVERED LUMENS	SYSTEM WATTAGE
10LM	1050LM @35K/80CRI	12W
15LM	1300LM @35K/80CRI	15W
20LM	1600LM @35K/80CRI	18W
25LM	2400LM @35K/80CRI	28W
35LM	3200LM @35K/80CRI	41W
Notes	Delivered lumens based on HE50, 3500K (see page 2)	

FEATURES

- Seamless extrusion with powder coated finish for clean aesthetics
- Thermally optimized for longevity
- 35° - 85° beam spread
- UGR < 19
- Multiple mounting, glare control options, trims and finishes available
- Micro slim canopy option at 1/4" depth, diameter of stem 3/8" IP

DIMMING AND CONTROLS

- eldoLED flicker free 0-10V dimming to 0%
- eldoLED flicker free DALI dimming to 0%
- Casambi Bluetooth dimming to 0%

CONSTRUCTION

- Extruded aluminum housing
- Lexan™ (PC) Optimal connectivity for wireless control signal
- Machined aluminum canopy
- SVT pendant cord

LED

- Luminus tunable white COB: 95 CRI, R9 > 70: SDCM = 4-step MacAdam Ellipse; Lumen Maintenance: L₇₀ > 54,000 hrs
- Nichia tunable white COB: 80 CRI, R9 > 0: SDCM = 3-step MacAdam Ellipse; Lumen Maintenance: L₉₀ > 33,000 hrs

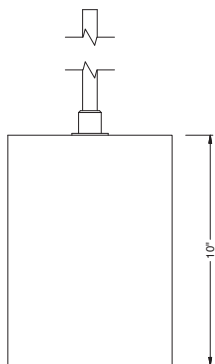
LISTING

- ULus Listed to UL1598 & UL2108; cUL Listed to CSA C22.2 #250.0
- Suitable for dry and damp locations
- Made in the USA - meets the requirements of the Buy American provision within the ARRA
- 5 Year Limited warranty

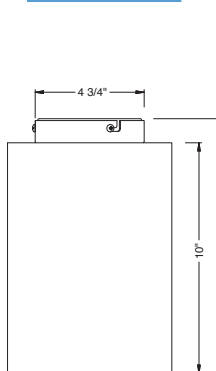
ELECTRICAL

- 120V-277V
- Power factory ≥ 0.9
- 2kV driver input surge protection
- Battery Backup not offered. Emergency Generator/Inverter/Controls-Override Device supplied by others.

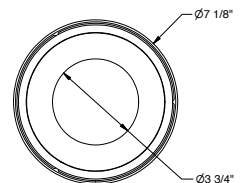
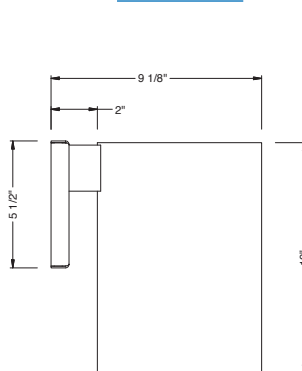
PENDANT



SURFACE MOUNT



WALL MOUNT



PROJECT INFORMATION		
JOB NAME		TYPE
ORDERING CODE		

ORDERING CODE																										
SERIES	BETA	BETA																								
TYPE	6R	6" round																								
LED	TW	tunable white (Luminus)																								
DELIVERED LUMENS	10LM	941 lm																								
	15LM	1341 lm																								
	20LM	1832 lm																								
Standard Configuration: 3500K HE60																										
Calculated Delivered Lumens = [Delivered Lumen Value] x [CCT Multiplier] x [Reflector Multiplier]																										
CCT	2765	2700K to 6500K tunable white																								
		<table border="1"> <thead> <tr> <th>CCT</th> <th>2700K</th> <th>3000K</th> <th>3500K</th> <th>4000K</th> <th>5000K</th> <th>5700K</th> <th>6500K</th> </tr> </thead> <tbody> <tr> <td>CCT MULTIPLIER FOR LUMEN OUTPUT</td> <td>0.91</td> <td>0.98</td> <td>1</td> <td>0.99</td> <td>1</td> <td>1.01</td> <td>1.02</td> </tr> <tr> <td>EML RATIO</td> <td>0.49</td> <td>0.57</td> <td>0.68</td> <td>0.79</td> <td>0.96</td> <td>1.04</td> <td>1.12</td> </tr> </tbody> </table>	CCT	2700K	3000K	3500K	4000K	5000K	5700K	6500K	CCT MULTIPLIER FOR LUMEN OUTPUT	0.91	0.98	1	0.99	1	1.01	1.02	EML RATIO	0.49	0.57	0.68	0.79	0.96	1.04	1.12
	CCT	2700K	3000K	3500K	4000K	5000K	5700K	6500K																		
	CCT MULTIPLIER FOR LUMEN OUTPUT	0.91	0.98	1	0.99	1	1.01	1.02																		
	EML RATIO	0.49	0.57	0.68	0.79	0.96	1.04	1.12																		
1840	1800K to 4000K tunable white																									
	<table border="1"> <thead> <tr> <th>CCT</th> <th>1800K</th> <th>2000K</th> <th>2400K</th> <th>2700K</th> <th>3000K</th> <th>3500K</th> <th>4000K</th> </tr> </thead> <tbody> <tr> <td>CCT MULTIPLIER FOR LUMEN OUTPUT</td> <td>0.67</td> <td>0.74</td> <td>0.8</td> <td>0.85</td> <td>0.88</td> <td>0.95</td> <td>1.01</td> </tr> <tr> <td>EML RATIO</td> <td>0.21</td> <td>0.33</td> <td>0.45</td> <td>0.53</td> <td>0.59</td> <td>0.67</td> <td>0.73</td> </tr> </tbody> </table>	CCT	1800K	2000K	2400K	2700K	3000K	3500K	4000K	CCT MULTIPLIER FOR LUMEN OUTPUT	0.67	0.74	0.8	0.85	0.88	0.95	1.01	EML RATIO	0.21	0.33	0.45	0.53	0.59	0.67	0.73	
CCT	1800K	2000K	2400K	2700K	3000K	3500K	4000K																			
CCT MULTIPLIER FOR LUMEN OUTPUT	0.67	0.74	0.8	0.85	0.88	0.95	1.01																			
EML RATIO	0.21	0.33	0.45	0.53	0.59	0.67	0.73																			
CRI	95	95 CRI max at 3500K, 90 CRI at 6500K																								
OPTIC & LM MULTIPLIER	HE35	35° high efficiency diffused lens (0.99)																								
	HE60	60° high efficiency diffused lens (1.00)																								
	HE85	85° high efficiency diffused lens (0.88)																								
	D40	40° diffused with clear lens (0.92)																								
	D60	60° diffused with clear lens (0.93)																								
	WH80	80° brilliant white with clear lens (0.96)																								
ACCESSORY	HCL¹	honeycomb louver																								
FINISH	BK	black																								
	WH	white																								
	MC	matte chrome																								
BEZEL COLOR	BK	black (0.98)																								
	WH	white (1.00)																								
	MC	matte chrome (0.99)																								
	BZ	bronze (0.98)																								
	WT	wheat (0.99)																								

ORDERING CODE		
MOUNTING OPTIONS SEE PAGE 9	W	wall mount
	S	surface mount
	JCOV-S	conduit junction box cover with knockouts, surface
	AC6³	aircraft cable canopy with power cord, 6ft
	AC8³	aircraft cable canopy with power cord, 8ft
	AC10³	aircraft cable canopy with power cord, 10ft
	AC12³	aircraft cable canopy with power cord, 12ft
	RP	rigid pendant 4' stem with swivel stem/canopy
	RP5	rigid pendant 5' stem with swivel stem/canopy
	RP6	rigid pendant 6' stem with swivel stem/canopy
	RP8	rigid pendant 8' stem with swivel stem/canopy
	RP10	rigid pendant 10' stem with swivel stem/canopy
	RPF2	rigid pendant 2' with fixed stem/canopy
	RPF3	rigid pendant 3' with fixed stem/canopy
RPF4	rigid pendant 4' with fixed stem/canopy	
RPF6	rigid pendant 6' with fixed stem/canopy	
JCOV-XX²	conduit junction box cover with knockouts, complete XX code with desired pendant mount	
VOLTAGE	I20	120V
	UNV	120V-277V
DIMMING	DIM10Z⁴	eldoLED flicker free 0-10V dimming to 0%
	DALIZ	eldoLED flicker free DALI dimming to 0%
	CAS	Casambi Bluetooth control with flicker free 1% dimming

YOUR COMPLETED ORDERING CODE	
Follow the steps to specify your fixture, example:	
BETA - 6R - TW - 20LM - 2765 - 95 - HE60 - WH - WH - S - UNV - DIM10Z	

NOTES

- HCL not available with lens. Multiplier: Delivered Lumens (0.78) / Beam Spread (0.80).
- JCOV available with RPF mounting.
- AC mounting only available with casambi dimming control.
- Requires 2 wall controllers (see wiring diagram).

*EML = equivalent melanopic lux, to calculate EML, multiply the measured photopic lux by the EML Ratio for the given CCT.

*Slim canopy with rigid stem connection shall be used in jurisdictions that DO NOT require light fixtures to freely swing in lateral directions, complying with local and national building codes.

*RP mounting with swivel is recommended to be installed on a 4in square or 4in deep regress 2-1/8" octagonal junction box.

*EldoLED uses logarithmic dimming curve as standard. For linear dimming curve, add "LIN" after dimming code, i.e., DIM10LIN.

PROJECT INFORMATION		
JOB NAME		TYPE
ORDERING CODE		

NICHIA TUNABLE WHITE - ORDERING CODE																				
SERIES	BETA	BETA																		
TYPE	6R	6" round																		
LED	TW	tunable white (Nichia)																		
DELIVERED LUMENS	13LM	1050 lm																		
	15LM	1300 lm																		
	20LM	1600 lm																		
	25LM	2400 lm																		
	35LM	3200 lm																		
Standard Configuration: 3500K HE50																				
Calculated Delivered Lumens = [Delivered Lumen Value] x [CCT Multiplier] x [Reflector Multiplier]																				
CCT	2750	2700K to 5000K tunable white																		
		<table border="1"> <thead> <tr> <th>CCT</th> <th>2700K</th> <th>3000K</th> <th>3500K</th> <th>4000K</th> <th>5000K</th> </tr> </thead> <tbody> <tr> <td>CCT MULTIPLIER FOR LUMEN OUTPUT</td> <td>0.85</td> <td>0.88</td> <td>0.95</td> <td>1.01</td> <td>1.02</td> </tr> <tr> <td>EML RATIO</td> <td>0.53</td> <td>0.59</td> <td>0.67</td> <td>0.73</td> <td>0.8</td> </tr> </tbody> </table>	CCT	2700K	3000K	3500K	4000K	5000K	CCT MULTIPLIER FOR LUMEN OUTPUT	0.85	0.88	0.95	1.01	1.02	EML RATIO	0.53	0.59	0.67	0.73	0.8
	CCT	2700K	3000K	3500K	4000K	5000K														
CCT MULTIPLIER FOR LUMEN OUTPUT	0.85	0.88	0.95	1.01	1.02															
EML RATIO	0.53	0.59	0.67	0.73	0.8															
CRI	80	80 CRI																		
OPTIC & LM MULTIPLIER	HE35	35° high efficiency diffused lens (0.99)																		
	HE50	50° high efficiency diffused lens (1.00)																		
	HE80	80° high efficiency diffused lens (0.92)																		
	SS20	20° semi-specular with clear lens (0.91)																		
	SS30	30° semi-specular with clear lens (0.91)																		
	D50	50° diffused with clear lens (0.90)																		
	WH70	70° brilliant white with clear lens (0.96)																		
ACCESSORY	HCL ¹	honeycomb louver																		
FINISH	BK	black																		
	WH	white																		
	MC	matte chrome																		
BEZEL COLOR	BK	black (0.98)																		
	WH	white (1.00)																		
	MC	matte chrome (0.99)																		
	BZ	bronze (0.98)																		
	WT	wheat (0.99)																		

NICHIA TUNABLE WHITE - ORDERING CODE		
MOUNTING OPTIONS SEE PAGE 9	W	wall mount
	S	surface mount
	JCOV-S	conduit junction box cover with knockouts, surface
	AC6 ³	aircraft cable canopy with power cord, 6ft
	AC8 ³	aircraft cable canopy with power cord, 8ft
	AC10 ³	aircraft cable canopy with power cord, 10ft
	AC12 ³	aircraft cable canopy with power cord, 12ft
	RP	rigid pendant 4' stem with swivel stem/canopy
	RP5	rigid pendant 5' stem with swivel stem/canopy
	RP6	rigid pendant 6' stem with swivel stem/canopy
	RP8	rigid pendant 8' stem with swivel stem/canopy
	RP10	rigid pendant 10' stem with swivel stem/canopy
	RPF2	rigid pendant 2' with fixed stem/canopy
	RPF3	rigid pendant 3' with fixed stem/canopy
RPF4	rigid pendant 4' with fixed stem/canopy	
RPF6	rigid pendant 6' with fixed stem/canopy	
JCOV-XX ²	conduit junction box cover with knockouts, complete XX code with desired pendant mount	
VOLTAGE	I20	120V
	UNV	120V-277V
DIMMING	DIM10Z ⁴	eldoLED flicker free 0-10V dimming to 0%
	DALIZ	eldoLED flicker free DALI dimming to 0%
	CAS	Casambi Bluetooth control with flicker free 1% dimming

YOUR COMPLETED ORDERING CODE	
Follow the steps to specify your fixture, example:	
BETA - 6R - TW - 20LM - 2750 - 80 - HE80 - WH - WH - S - UNV - DIM10Z	

NOTES

- HCL not available with lens. Multiplier: Delivered Lumens (0.78) / Beam Spread (0.80).
- JCOV available with RPF mounting.
- AC mounting only available with casambi dimming control.
- Requires 2 wall controllers (see wiring diagram).

*EML = equivalent melanopic lux, to calculate EML, multiply the measured photopic lux by the EML Ratio for the given CCT.

*Slim canopy with rigid stem connection shall be used in jurisdictions that DO NOT require light fixtures to freely swing in lateral directions, complying with local and national building codes.

*RP mounting with swivel is recommended to be installed on a 4in square or 4in deep regress 2-1/8" octagonal junction box.

*EldoLED uses logarithmic dimming curve as standard. For linear dimming curve, add "LIN" after dimming code, i.e., DIM10LIN.

PROJECT INFORMATION		
JOB NAME		TYPE
ORDERING CODE		

TRIM OPTIONS

TRIM/BEZEL COLORS



LUMINUS OPTICAL OPTIONS

- UGR calculation based on CIE 117-1995; room size: 4H X 8H, reflectance: 70/50/20;
- UGR calculation based on 15LM fixtures, unless otherwise noted.



CL
Clear Lens

OPTIC	BEAM ANGLE	UGR
D40	40	12.2
D60	58	15.6
WH80	78	19.3



DL
Diffused Lens

OPTIC	BEAM ANGLE	UGR
HE35	36	16.6
HE60	59	18.7
HE85	84	21.3

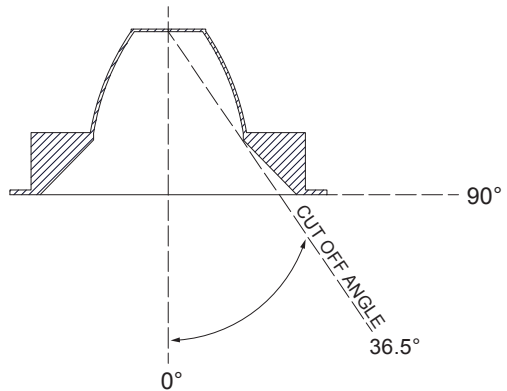
GLARE CONTROL

CUT-OFF ANGLE

Visual comfort is achieved with a lower cut-off angle due to improved glare control. The smaller the cut-off angle, the easier it is on the eye.

Alphabet downlights have been thoughtfully engineered to eliminate glare while still delivering functional illumination.

- Cutoff angle of NL and CL is 36.5 degrees;



PROJECT INFORMATION		
JOB NAME		TYPE
ORDERING CODE		

TRIM OPTIONS

TRIM/BEZEL COLORS



NICHIA OPTICAL OPTIONS

- UGR calculation based on CIE 117-1995; room size: 4H X 8H, reflectance: 70/50/20;
- UGR calculation based on 15LM fixtures, unless otherwise noted.



CL
Clear Lens

OPTIC	BEAM ANGLE	UGR
SS20	22	11
SS30	30	14.1
D50	50	15.5
WH70	73	18.7



DL
Diffused Lens

OPTIC	BEAM ANGLE	UGR
HE35	37	15.3
HE50	52	17.9
HE80	77	20.7

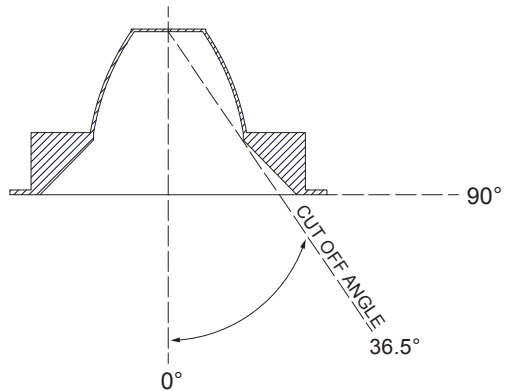
GLARE CONTROL

CUT-OFF ANGLE

Visual comfort is achieved with a lower cut-off angle due to improved glare control. The smaller the cut-off angle, the easier it is on the eye.

Alphabet downlights have been thoughtfully engineered to eliminate glare while still delivering functional illumination.

- Cutoff angle of NL and CL is 36.5 degrees;



PROJECT INFORMATION		
JOB NAME		TYPE
ORDERING CODE		

LUMINUS PHOTOMETRIC DATA

10LM CCT MULTIPLIERS		
	80CRI	90CRI
2700K	0.96	0.81
3000K	1	0.85
3500K	1.03	0.88
4000K	1.06	0.91
FC Formula = CBCP / Distance ²		

D40 40° DIFFUSED WITH CLEAR LENS	
Throw Distance (ft)	Beam Diameter (ft)
6	4.4
8	5.9
10	7.3
12	8.8
14	10.3
Illuminance at Center (fc)	
44	
25	
16	
11	
8	
WATTS: 12.5	LPW: 69.2
LUMENS: 865	CCT: 3000K
INTENSITY	
DEGREE	CANDELA
0	1585
5	1504
15	1036
25	605
35	196
45	28

HE35 36° HIGH EFFICIENCY DIFFUSED LENS	
Throw Distance (ft)	Beam Diameter (ft)
6	3.9
8	5.2
10	6.5
12	7.9
14	9.2
Illuminance at Center (fc)	
47	
27	
17	
12	
9	
12.5 LPW:	74.6 93.7
932 CCT:	3000K 3000K
INTENSITY	
DEGREE	CANDELA
0	1702
5	1602
15	1038
25	503
35	205
45	85

HE60 59° HIGH EFFICIENCY DIFFUSED LENS	
Throw Distance (ft)	Beam Diameter (ft)
6	6.8
8	9
10	11.3
12	13.6
14	15.8
Illuminance at Center (fc)	
24	
14	
9	
6	
4	
WATTS: 12.5	LPW: 75.3
LUMENS: 942	CCT: 3000K
INTENSITY	
DEGREE	CANDELA
0	873
5	856
15	731
25	530
35	328
45	174

WH80 78° BRILLIANT WHITE WITH CLEAR LENS	
Throw Distance (ft)	Beam Diameter (ft)
6	9.7
8	12.9
10	16.1
12	19.3
14	22.5
Illuminance at Center (fc)	
16	
9	
6	
4	
3	
WATTS: 12.5	LPW: 72.1
LUMENS: 901	CCT: 3000K
INTENSITY	
DEGREE	CANDELA
0	573
5	572
15	555
25	519
35	406
45	157

20LM CCT MULTIPLIERS		
	80CRI	90CRI
2700K	0.96	0.81
3000K	1	0.85
3500K	1.03	0.88
4000K	1.06	0.91
FC Formula = CBCP / Distance ²		

D40 40° DIFFUSED WITH CLEAR LENS	
Throw Distance (ft)	Beam Diameter (ft)
6	4.4
8	5.9
10	7.3
12	8.8
14	10.3
Illuminance at Center (fc)	
86	
48	
31	
21	
16	
WATTS: 23	LPW: 73.2
LUMENS: 1684	CCT: 3000K
INTENSITY	
DEGREE	CANDELA
0	3086
5	2927
15	2018
25	1177
35	382
45	54

HE35 36° HIGH EFFICIENCY DIFFUSED LENS	
Throw Distance (ft)	Beam Diameter (ft)
6	3.9
8	5.2
10	6.5
12	7.9
14	9.2
Illuminance at Center (fc)	
92	
52	
33	
23	
17	
WATTS: 23	LPW: 78.9
LUMENS: 1815	CCT: 3000K
INTENSITY	
DEGREE	CANDELA
0	3314
5	3119
15	2021
25	979
35	399
45	165

HE60 59° HIGH EFFICIENCY DIFFUSED LENS	
Throw Distance (ft)	Beam Diameter (ft)
6	6.8
8	9
10	11.3
12	13.6
14	15.8
Illuminance at Center (fc)	
47	
27	
17	
12	
9	
WATTS: 23	LPW: 79.7
LUMENS: 1833	CCT: 3000K
INTENSITY	
DEGREE	CANDELA
0	1700
5	1667
15	1423
25	1032
35	640
45	338

WH80 78° BRILLIANT WHITE WITH CLEAR LENS	
Throw Distance (ft)	Beam Diameter (ft)
6	9.7
8	12.9
10	16.1
12	19.3
14	22.5
Illuminance at Center (fc)	
31	
17	
11	
8	
6	
WATTS: 23	LPW: 76.3
LUMENS: 1754	CCT: 3000K
INTENSITY	
DEGREE	CANDELA
0	1115
5	1113
15	1080
25	1011
35	791
45	305

PROJECT INFORMATION		
JOB NAME		TYPE
ORDERING CODE		

NICHIA PHOTOMETRIC DATA

15LM CCT MULTIPLIERS		
	80CRI	90CRI
2700K	0.96	0.81
3000K	1	0.85
3500K	1.03	0.88
4000K	1.06	0.91
FC Formula = CBCP / Distance ²		

HE35 37° HIGH EFFICIENCY DIFFUSED LENS	
Throw Distance (ft)	Beam Diameter (ft)
6	4
8	5.3
10	6.7
12	8
14	9.3
Illuminance at Center (fc)	
66	
37	
24	
16	
12	
WATTS: 15	LPW: 88.1
LUMENS: 1321	CCT: 3000K
INTENSITY	
DEGREE	CANDELA
0	2370
5	2259
15	1494
25	709
35	326
45	140

HE50 52° HIGH EFFICIENCY DIFFUSED LENS	
Throw Distance (ft)	Beam Diameter (ft)
6	5.8
8	7.7
10	9.7
12	11.6
14	13.5
Illuminance at Center (fc)	
41	
23	
15	
10	
7	
WATTS: 15	LPW: 88.5
LUMENS: 1328	CCT: 3000K
INTENSITY	
DEGREE	CANDELA
0	1458
5	1417
15	1136
25	756
35	444
45	217

SS20 22° SEMI-SPECULAR WITH CLEAR LENS	
Throw Distance (ft)	Beam Diameter (ft)
6	2.4
8	3.2
10	4
12	4.7
14	5.5
Illuminance at Center (fc)	
118	
66	
42	
30	
22	
WATTS: 15	LPW: 80.1
LUMENS: 1202	CCT: 3000K
INTENSITY	
DEGREE	CANDELA
0	4250
5	3652
15	1420
25	649
35	247
45	22

WH70 73° BRILLIANT WHITE WITH CLEAR LENS	
Throw Distance (ft)	Beam Diameter (ft)
6	8.8
8	11.8
10	14.7
12	17.7
14	20.6
Illuminance at Center (fc)	
28	
16	
10	
7	
5	
WATTS: 15	LPW: 85.2
LUMENS: 1278	CCT: 3000K
INTENSITY	
DEGREE	CANDELA
0	1014
5	1000
15	871
25	746
35	580
45	189

35LMCCT MULTIPLIERS		
	80CRI	90CRI
2700K	0.96	0.81
3000K	1	0.85
3500K	1.03	0.88
4000K	1.06	0.91
FC Formula = CBCP / Distance ²		

HE35 37° HIGH EFFICIENCY DIFFUSED LENS	
Throw Distance (ft)	Beam Diameter (ft)
6	4
8	5.3
10	6.7
12	8
14	9.3
Illuminance at Center (fc)	
177	
99	
64	
44	
32	
WATTS: 40.3	LPW: 87.9
LUMENS: 3542	CCT: 3000K
INTENSITY	
DEGREE	CANDELA
0	6355
5	6056
15	4007
25	1902
35	874
45	376

HE50 52° HIGH EFFICIENCY DIFFUSED LENS	
Throw Distance (ft)	Beam Diameter (ft)
6	5.8
8	7.7
10	9.7
12	11.6
14	13.5
Illuminance at Center (fc)	
109	
61	
39	
27	
20	
WATTS: 40.3	LPW: 88.3
LUMENS: 3560	CCT: 3000K
INTENSITY	
DEGREE	CANDELA
0	3911
5	3800
15	3046
25	2027
35	1191
45	583

SS20 22° SEMI-SPECULAR WITH CLEAR LENS	
Throw Distance (ft)	Beam Diameter (ft)
6	2.4
8	3.2
10	4
12	4.7
14	5.5
Illuminance at Center (fc)	
317	
178	
114	
79	
58	
WATTS: 40.3	LPW: 80
LUMENS: 3224	CCT: 3000K
INTENSITY	
DEGREE	CANDELA
0	11395
5	9792
15	3808
25	1739
35	662
45	59

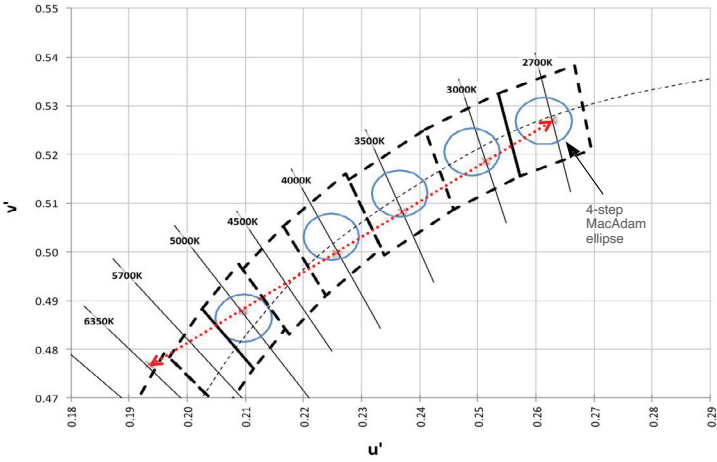
WH70 73° BRILLIANT WHITE WITH CLEAR LENS	
Throw Distance (ft)	Beam Diameter (ft)
6	8.8
8	11.8
10	14.7
12	17.7
14	20.6
Illuminance at Center (fc)	
76	
43	
27	
19	
14	
WATTS: 40.3	LPW: 85
LUMENS: 3426	CCT: 3000K
INTENSITY	
DEGREE	CANDELA
0	2720
5	2682
15	2337
25	2001
35	1557
45	507

PROJECT INFORMATION		
JOB NAME		TYPE
ORDERING CODE		

TUNABLE WHITE

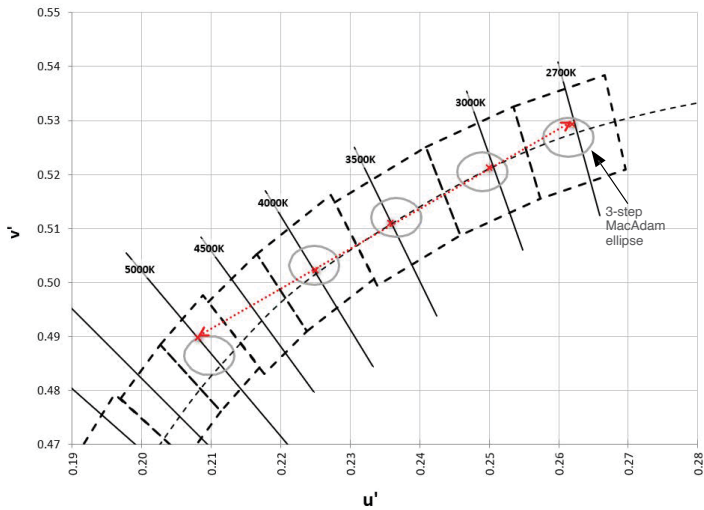
LUMINUS 95CRI

Chromaticity Coordinates (CIE 1976) & CCT range



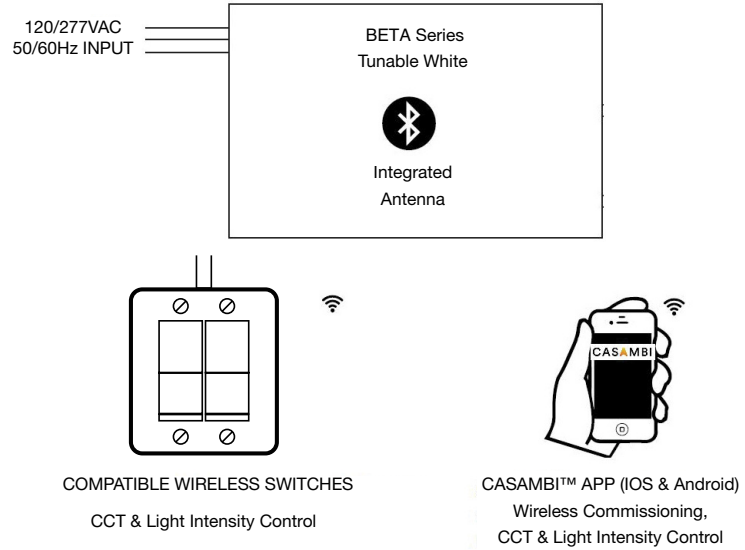
NICHIA 80CRI

Chromaticity Coordinates (CIE 1976) & CCT range

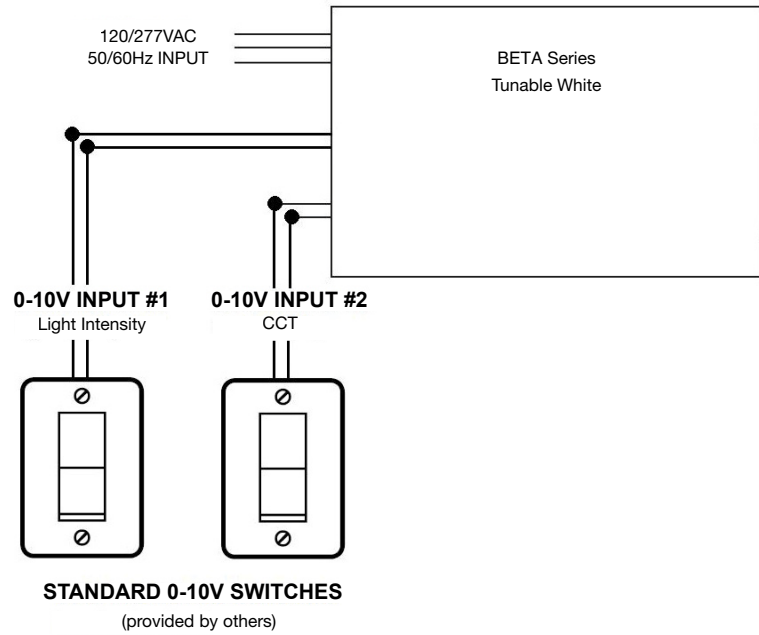


WIRING DIAGRAMS

“CAS” CASAMBI CONTROLS



“DIM10Z” HARDWIRED 0-10V CONTROL

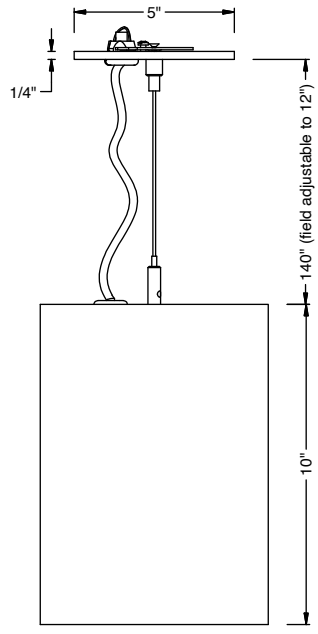


NOTES

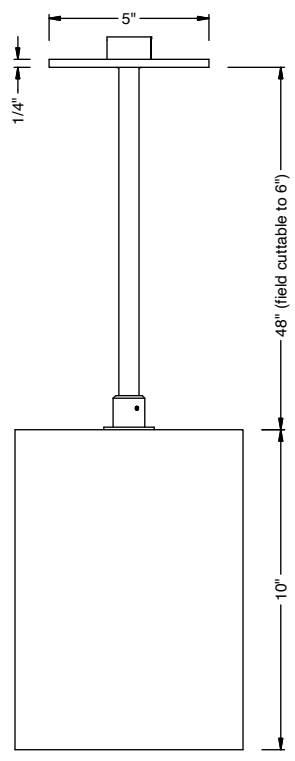
- 1 Consult factory to order compatible wireless switches.

PROJECT INFORMATION		
JOB NAME		TYPE
ORDERING CODE		

MOUNTING OPTIONS

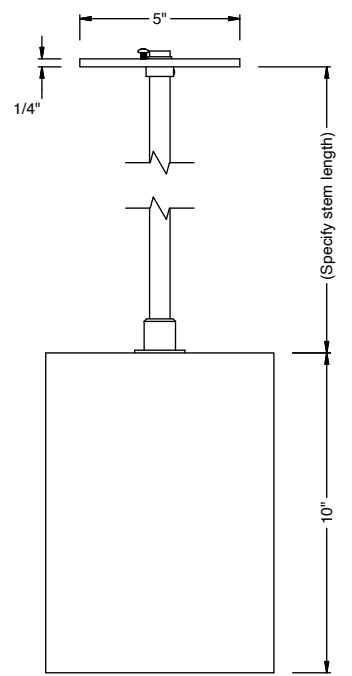
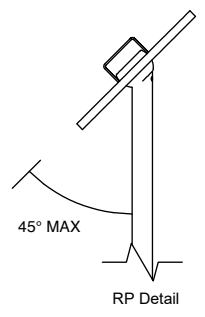


PENDING CAS

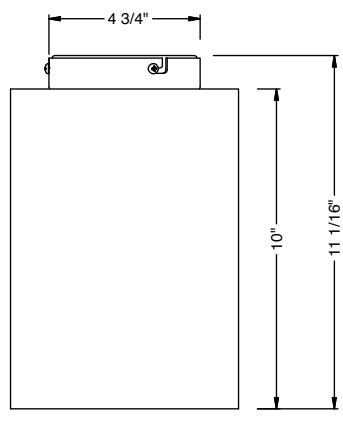
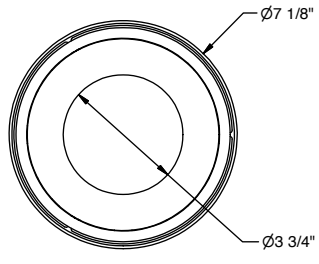


**RP SWIVEL
DIM10 / DALI / CAS**

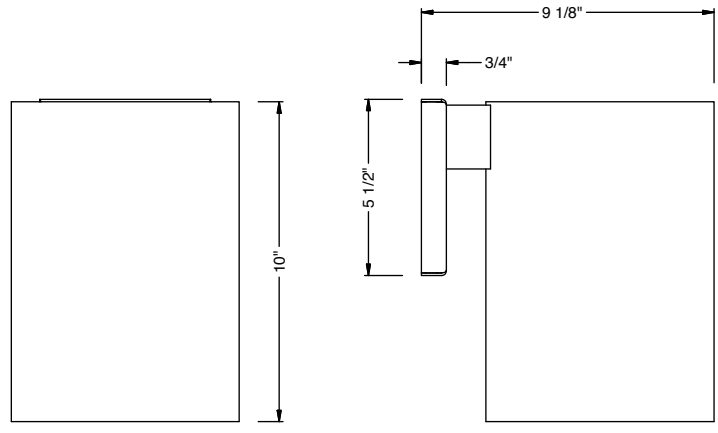
- H 48-3/8" (field adjustable to 6")
- RP 60-3/8" (field adjustable to 6")
- RP5 72-3/8" (field adjustable to 6")
- RP6 96-3/8" (field adjustable to 54")
- RP10 120-3/8" (field adjustable to 66")



**RP FIXED
DIM10 / DALI / CAS**



**SURFACE
DIM10 / DALI / CAS**



**WALL MOUNT
DIM10 / DALI / DMX**

