

BETA6ARP Architectural Round Pendant

WARNING - PLEASE READ ALL INSTRUCTIONS PRIOR TO INSTALLATION



READ AND FOLLOW ALL WARNINGS AND INSTRUCTIONS BEFORE INSTALLING OR MAINTAINING THIS PRODUCT.

TURN OFF POWER PRIOR TO ANY WORK ON THE SYSTEM OR PRODUCT

DO NOT INSTALL DAMAGED PRODUCT.

Installing, wiring and maintenance must be done by qualified persons or a certified electrician in accordance with all local and National Electrical codes.

Warranty is voided in case of unauthorized modifications and/ or improper use.

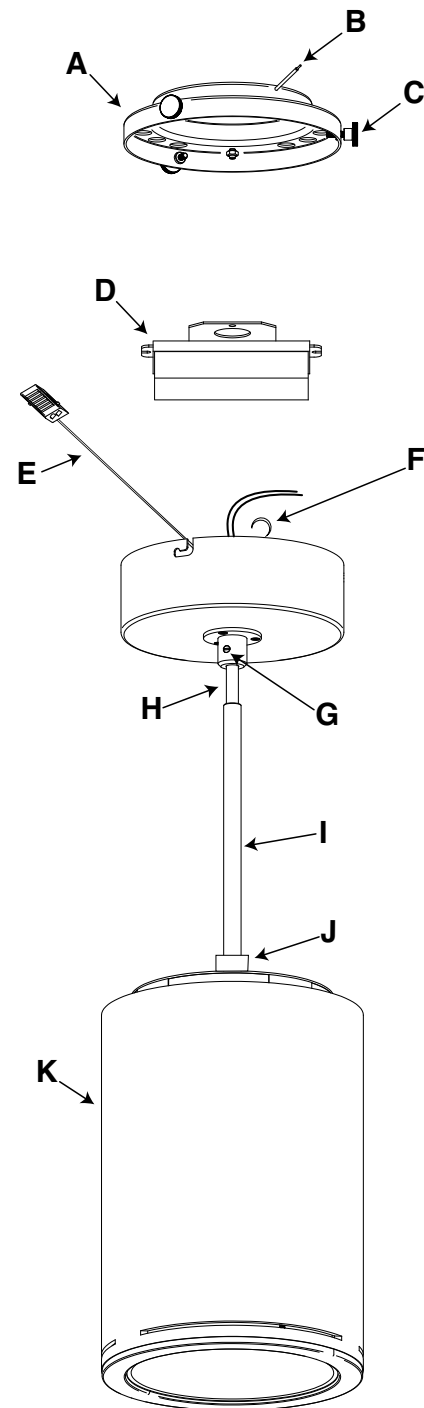
Save these instructions. Use as reference when service or maintenance is performed.

CAUTION - Do not install any fixture assembly closer than 6 inches from any combustible material.

Suitable for dry and damp locations.

INSTRUCTIONS FOR USE

- 1 De-energize circuit before installation.
- 2 Remove canopy from canopy back plate by loosening thumb screws twisting counter clockwise.
- 3 Remove driver mounting plate from canopy back plate.
- 4 Feed building wires through canopy back plate and attach canopy back plate to a J-Box (J-Box and mounting hardware supplied by others) for use with 3-1/2" and 4" octagonal or square recessed junction boxes with 2-3/4" mounting hole spacing (appropriate device ring cover may be required and to be supplied by others).
- 5 Properly ground canopy back plate assembly in accordance with local and national electrical codes.
- 6 Reinstall driver mounting plate to canopy back plate.
- 7 Connect line, neutral, and ground wires to building electrical supply. If site supports optional 0-10V dimming, connect lighting dimming controls using + (purple) and - (gray). Use only 0-10V compatible dimming control systems (provided by others). Isolate wires individually if not in use.
- 8 Feed fixture cable through rod and thread rod into fixture threaded flange.
- 9 Insert cord through canopy flange. Slide strain relief over cord and crimp to desired length. Tighten set screw into final position. Cut excess cord if necessary.
- 10 Raise canopy and fixture to secure safety cable to driver mounting plate.
- 11 Connect LED fixtures wires. Black to black (-) and red to white(+).
- 12 Attach canopy by aligning grooves, twisting into place, and tightening thumb screws.
- 13 Energize circuit and test for proper operation.



- A Canopy Back Plate
- B Ground
- C Thumbscrews (3)
- D Driver Mounting Plate
- E Safety Cable
- F Crimp Strain Relief
- G Set Screw
- H Fixture Cable
- I Threaded Rod
- J Threaded Flange
- K Fixture



WARNING



- To avoid possible electrical shock, before installing light fixtures, disconnect power by turning off the circuit breakers both to the outlet box and to its associated wall switch location if you cannot lock the circuit breakers in the off position, securely fasten a prominent warning device, such as a tag to the service panel.
- Verify that supply voltage is correct by comparing it with the luminaire label information.
- Make all electrical and grounded connections in the accordance with the National Electrical Code (NEC) and any applicable local code requirements.
- Allow sufficient time for fixture and / or driver to cool before servicing and performing maintenance.



CAUTION



- All wiring must be in accordance with national and local electrical codes and ANSI/NFPA 70. If you are unfamiliar with wiring you should use qualified electrician.
- PPE Personal Protective Equipment such as gloves and safety glasses should be used at all times when installing, maintaining or servicing.
- Risk of fire. Keep combustible material away from fixtures.



ADVERTENCIA



- Para evitar un posible choque, antes de instalar luminarias, desconecte la alimentación apagando los interruptores de circuito y ubicación del interruptor de pared. Si no se pueden bloquear los interruptores en la posición de apagado, sujetar un dispositivo de advertencia en el panel de servicio.
- Compruebe que la tensión de alimentación es correcta comparándola con la información de etiqueta de la luminaria.
- Hacer todas las conexiones eléctricas y puesta a tierra de acuerdo con el código eléctrico nacional (NEC) y los requisitos del código local aplicable.
- Permitir suficiente tiempo para el luminario y el controlador para enfriar antes de enpesar el servicios y mantenimiento.



PRECAUCION



- Todo el cableado debe hacerse de conformidad con los códigos eléctricos nacionales y locales y ANSI/NFPA 70. Si no está familiarizado con el cableado, se debe utilizar a un electricista.
- Equipo de protección personal como guantes y lentes de seguridad se debe utilizar al instalar, mantener o reparar.
- Riesgo de incendio. Mantenga los materiales combustibles lejos de los liminario.



AVERTISSEMENT



- Pour éviter les chocs, avant d'installer des appareils d'éclairage, coupez l'alimentation en désactivant les disjoncteurs et l'emplacement du commutateur mural. Si vous ne pouvez pas verrouiller les disjoncteurs en position d'arrêt, fixer un avertissement sur le panneau de service.
- Vérifiez que la tension d'alimentation est correcte en le comparant avec les informations d'étiquette de luminaire.
- Effectuer tous les raccordements électriques et mise à la terre dans la conformité avec le Code électrique National (NEC) et des exigences du code local applicable.
- Laisser suffisamment de temps pour l'appareil et pilote refroidir avant d'effectuer l'entretien et la maintenance.



MIS EN GARDE



- Tout le câblage doit être effectué conformément aux codes électriques locaux et nationaux et ANSI/NFPA 70. Si vous êtes peu familier avec câblage, vous devez utiliser un électricien qualifié.
- Équipement de protection personnelle comme des gants et des lunettes de sécurité doivent être utilisé en tout temps lors de l'installation, maintenance ou entretien.
- Risque d'incendie. Garder les matières combustibles loin de luminaires.