

alphabet

PROJECT INFORMATION		
JOB NAME		TYPE
ORDERING CODE		

BETA 4

4" Cylinder Hyperbolic Tunable White



35°-50° BEAM (Note: Specifications are subject to change without notice)		
14mm COB PERFORMANCE DATA		
LED LIGHT ENGINE	NOMINAL DELIVERED LUMENS	SYSTEM WATTAGE
10LM	1240LM @35K/95CRI	22W
15LM	760LM @35K/97CRI	13W
Notes	Delivered lumens based on 35D, White Bezel, 3500K (see page 2)	



CASAMBI

FEATURES

- Seamless extrusion with painted finish for clean aesthetics
- Thermally optimized for longevity
- 35° - 50° beam spread
- UGR < 16
- Micro slim canopy options at 1/4"-3/8" depth plus 1/2" diameter stem.
- Multiple mounting, glare control options, trims and finishes available

LED

- Luminus tunable white COB: 95 CRI, R9 > 70: SDCM = 4-step MacAdam Ellipse; Lumen Maintenance: L₇₀ > 54,000 hrs

DIMMING AND CONTROLS

- Flicker free 0-10V dimming to 1%
- DMX dimming to 1%
- Casambi bluetooth dimming to 1%

LISTING

- ULus Listed to UL1598 & UL2108; cUL Listed to CSA C22.2 #250.0
- Suitable for dry and damp locations
- Made in the USA - meets the requirements of the Buy American provision within the ARRA
- 5 Year Limited warranty

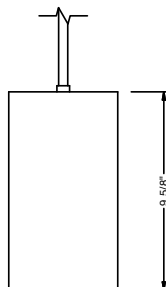
CONSTRUCTION

- Extruded aluminum housing
- Lexan™ (PC) Optimal connectivity for wireless control signal
- Machined aluminum canopy
- SVT pendant cord

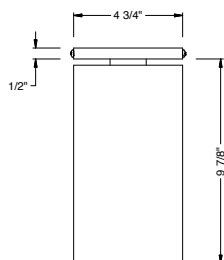
ELECTRICAL

- 120V-277V
- Power factory ≥ 0.9
- 2kV driver input surge protection
- Battery Backups not offered
- Emergency Generator/Inverter/Controls-Override Device supplied by other

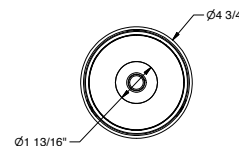
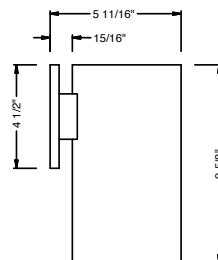
PENDANT



SURFACE MOUNT



WALL MOUNT



alphabet

PROJECT INFORMATION		
JOB NAME		TYPE
ORDERING CODE		

ORDERING CODE																										
SERIES	BETA	BETA																								
TYPE	4RH	4" round hyperbolic																								
LED	TW	tunable white (Luminus)																								
DELIVERED LUMENS	10LM	763 lm																								
	15LM	1235 lm																								
Standard Configuration: 3500K 35D Calculated Delivered Lumens = [Delivered Lumen Value] x [CCT Multiplier] x [Reflector Multiplier]																										
CCT	1840	1800K to 4000K tunable white																								
		<table border="1"> <thead> <tr> <th>CCT</th> <th>1800K</th> <th>2000K</th> <th>2400K</th> <th>2700K</th> <th>3000K</th> <th>3500K</th> <th>4000K</th> </tr> </thead> <tbody> <tr> <td>CCT MULTIPLIER FOR LUMEN OUTPUT</td> <td>0.67</td> <td>0.74</td> <td>0.8</td> <td>0.85</td> <td>0.88</td> <td>0.95</td> <td>1.01</td> </tr> <tr> <td>EML RATIO</td> <td>0.21</td> <td>0.33</td> <td>0.45</td> <td>0.53</td> <td>0.59</td> <td>0.67</td> <td>0.73</td> </tr> </tbody> </table>	CCT	1800K	2000K	2400K	2700K	3000K	3500K	4000K	CCT MULTIPLIER FOR LUMEN OUTPUT	0.67	0.74	0.8	0.85	0.88	0.95	1.01	EML RATIO	0.21	0.33	0.45	0.53	0.59	0.67	0.73
	CCT	1800K	2000K	2400K	2700K	3000K	3500K	4000K																		
	CCT MULTIPLIER FOR LUMEN OUTPUT	0.67	0.74	0.8	0.85	0.88	0.95	1.01																		
EML RATIO	0.21	0.33	0.45	0.53	0.59	0.67	0.73																			
2765	2700K to 6500K tunable white																									
	<table border="1"> <thead> <tr> <th>CCT</th> <th>2700K</th> <th>3000K</th> <th>3500K</th> <th>4000K</th> <th>5000K</th> <th>5700K</th> <th>6500K</th> </tr> </thead> <tbody> <tr> <td>CCT MULTIPLIER FOR LUMEN OUTPUT</td> <td>0.91</td> <td>0.98</td> <td>1</td> <td>0.7</td> <td>1</td> <td>1.01</td> <td>1.02</td> </tr> <tr> <td>EML RATIO</td> <td>0.49</td> <td>0.57</td> <td>0.68</td> <td>0.79</td> <td>0.96</td> <td>1.04</td> <td>1.12</td> </tr> </tbody> </table>	CCT	2700K	3000K	3500K	4000K	5000K	5700K	6500K	CCT MULTIPLIER FOR LUMEN OUTPUT	0.91	0.98	1	0.7	1	1.01	1.02	EML RATIO	0.49	0.57	0.68	0.79	0.96	1.04	1.12	
CCT	2700K	3000K	3500K	4000K	5000K	5700K	6500K																			
CCT MULTIPLIER FOR LUMEN OUTPUT	0.91	0.98	1	0.7	1	1.01	1.02																			
EML RATIO	0.49	0.57	0.68	0.79	0.96	1.04	1.12																			
CRI	95	95 typical, 90 minimum																								
OPTIC & LM MULTIPLIER	35D	35 degrees (1.00)																								
	50D	50 degrees (0.93)																								
FINISH	BK	black																								
	WH	white																								
	MC	matte chrome																								
BEZEL COLOR	BK	black (0.98)																								
	WH	white (1.00)																								

ORDERING CODE		
MOUNTING OPTIONS SEE PAGE 5	W	wall mount
	S	surface mount
	JCOV-S	conduit junction box cover with knockouts, surface
	P	pendant, 108" flexible cord
	RP	rigid pendant 4' stem with swivel stem/canopy
	RP5	rigid pendant 5' stem with swivel stem/canopy
	RP6	rigid pendant 6' stem with swivel stem/canopy
	RP8	rigid pendant 8' stem with swivel stem/canopy
	RP10	rigid pendant 10' stem with swivel stem/canopy
	RPF2	rigid pendant 2' with fixed stem/canopy
	RPF3	rigid pendant 3' with fixed stem/canopy
RPF4	rigid pendant 4' with fixed stem/canopy	
RPF6	rigid pendant 6' with fixed stem/canopy	
JCOV-XX¹	conduit junction box cover with knockouts, complete XX code with desired pendant mount	
VOLTAGE	UNV	120V-277V
DIMMING	DIM10²	0-10V dimming to 1%
	DMX	DMX control, dimmable to 1% + Bluetooth commission for setting address
	CAS	Casambi Bluetooth control with flicker free 1.0% dimming

YOUR COMPLETED ORDERING CODE	
Follow the steps to specify your fixture, example:	
BETA - 4RH - TW - 15LM - 2765 - 95 - 35D - WH - WH - P - UNV - DIM10	

NOTES

- JCOV not available with RP mounting.
- Requires 2 wall controllers (see wiring diagram).

*EML = equivalent melanopic lux, to calculate EML, multiply the measured photopic lux by the EML Ratio for the given CCT.

*Slim canopy with rigid stem connection shall be used in jurisdictions that DO NOT require light fixtures to freely swing in lateral directions, complying with local and national building codes.

*RP mounting with swivel is recommended to be installed on a 4in square or 4in deep regress 2-1/8" octagonal junction box.

alphabet

PROJECT INFORMATION		
JOB NAME	TYPE	
ORDERING CODE		

TRIM OPTIONS

TRIM/BEZEL COLORS



OPTICAL OPTIONS

- UGR calculation based on CIE 117-1995; room size: 4H X 8H, reflectance: 70/50/20;
- UGR calculation based on 15LM fixtures.

BLACK BEZEL



OPTIC	BEAM ANGLE	UGR
35D	34	8
50D	46	12.2

WHITE BEZEL



OPTIC	BEAM ANGLE	UGR
35D	36	13.5
50D	49	16.2

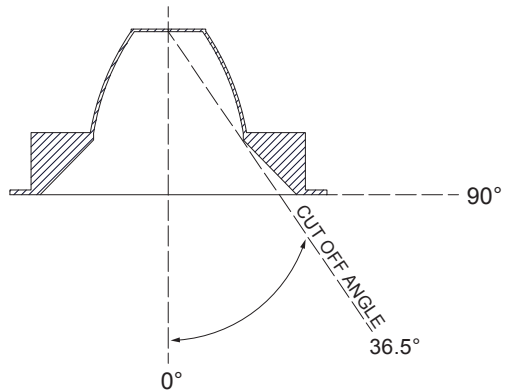
GLARE CONTROL

CUT-OFF ANGLE

Visual comfort is achieved with a lower cut-off angle due to improved glare control. The smaller the cut-off angle, the easier it is on the eye.

Alphabet downlights have been thoughtfully engineered to eliminate glare while still delivering functional illumination.

- Cutoff angle of NL and CL is 36.5 degrees



alphabet

PROJECT INFORMATION		
JOB NAME		TYPE
ORDERING CODE		

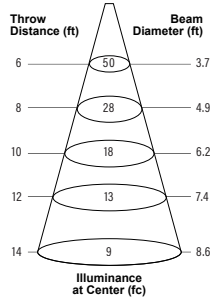
PHOTOMETRIC DATA

10LM CCT MULTIPLIERS

	80CRI	90CRI
2700K	0.96	0.81
3000K	1	0.85
3500K	1.03	0.88
4000K	1.06	0.91

FC Formula = CBCP / Distance²

35D-BK 34° REFLECTOR BLACK BEZEL



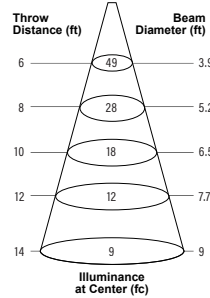
WATTS: 12.4 LPW: 54.9

LUMENS: 681 CCT: 3500K

INTENSITY

DEGREE	CANDELA
0	1808
5	1690
15	1048
25	448
35	50
45	6

35D-WH 36° REFLECTOR WHITE BEZEL



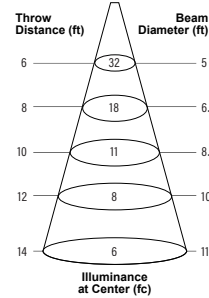
WATTS: 12.4 LPW: 61.6

LUMENS: 764 CCT: 3500K

INTENSITY

DEGREE	CANDELA
0	1776
5	1672
15	1075
25	483
35	80
45	33

50D-BK 46° REFLECTOR BLACK BEZEL



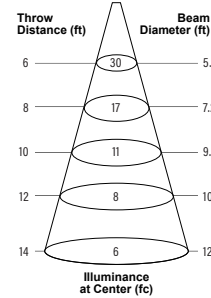
WATTS: 12.4 LPW: 49.1

LUMENS: 609 CCT: 3500K

INTENSITY

DEGREE	CANDELA
0	1147
5	1091
15	797
25	481
35	113
45	5

50D-WH 49° REFLECTOR WHITE BEZEL



WATTS: 12.4 LPW: 56.8

LUMENS: 704 CCT: 3500K

INTENSITY

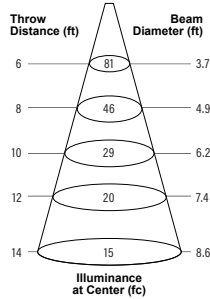
DEGREE	CANDELA
0	1089
5	1049
15	811
25	516
35	150
45	39

15LM CCT MULTIPLIERS

	80CRI	90CRI
2700K	0.96	0.81
3000K	1	0.85
3500K	1.03	0.88
4000K	1.06	0.91

FC Formula = CBCP / Distance²

35D-BK 34° REFLECTOR BLACK BEZEL



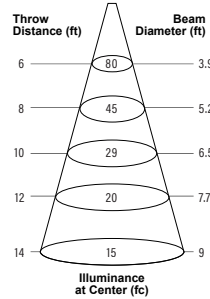
WATTS: 21.9 LPW: 50.3

LUMENS: 1101 CCT: 3500K

INTENSITY

DEGREE	CANDELA
0	2924
5	2733
15	1695
25	725
35	81
45	9

35D-WH 36° REFLECTOR WHITE BEZEL



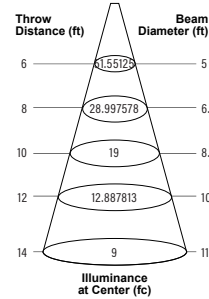
WATTS: 21.9 LPW: 56.4

LUMENS: 1235 CCT: 3500K

INTENSITY

DEGREE	CANDELA
0	2872
5	2705
15	1739
25	781
35	129
45	53

50D-BK 46° REFLECTOR BLACK BEZEL



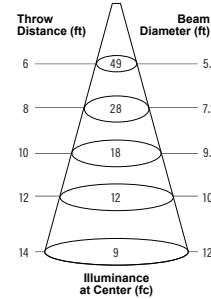
WATTS: 21.9 LPW: 45

LUMENS: 985 CCT: 3500K

INTENSITY

DEGREE	CANDELA
0	1855.845
5	1764
15	1288
25	778
35	182
45	8

50D-WH 49° REFLECTOR WHITE BEZEL



WATTS: 21.9 LPW: 52

LUMENS: 1139 CCT: 3500K

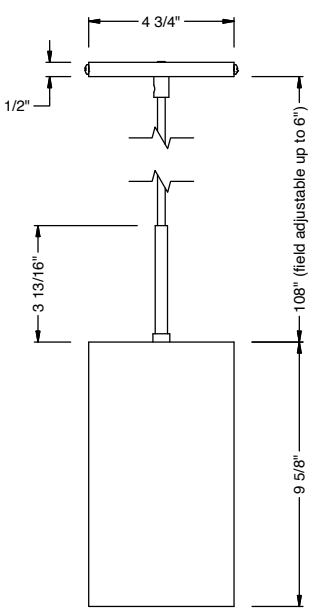
INTENSITY

DEGREE	CANDELA
0	1761
5	1696
15	1312
25	834
35	242
45	63

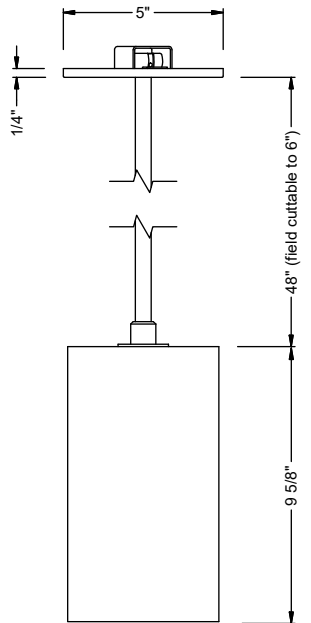
alphabet

PROJECT INFORMATION		
JOB NAME		TYPE
ORDERING CODE		

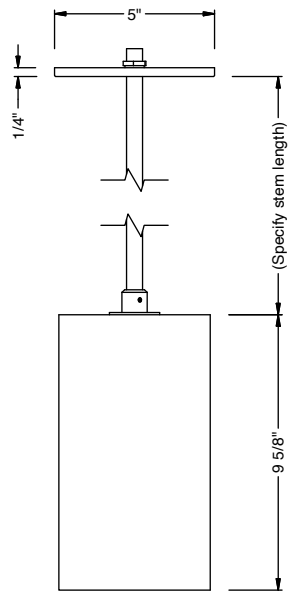
MOUNTING OPTIONS



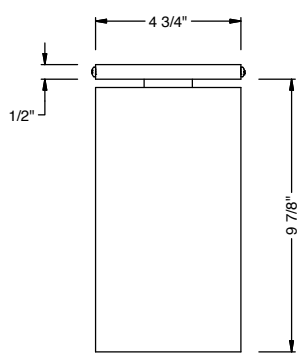
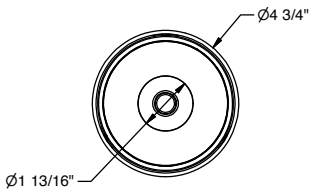
PENDANT
CAS



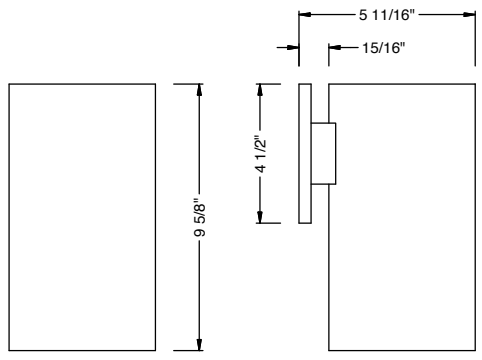
RP SWIVEL
DIM10 / DMX / CAS



RP FIXED
DIM10 / DMX / CAS



SURFACE MOUNT
DIM10 / DMX / CAS



WALL MOUNT
DIM10 / DMX / CAS

