

alphabet

PROJECT INFORMATION		
JOB NAME		TYPE
ORDERING CODE		

BETA 3

3" Cylinder Tunable White



40° - 75° BEAM (Note: Specifications are subject to change without notice)		
14mm LUMINUS COB PERFORMANCE DATA		
LED LIGHT ENGINE	NOMINAL DELIVERED LUMENS	SYSTEM WATTAGE
10LM	990LM @30K/95CRI	14W
Notes	Delivered lumens based on HE45, 3000K (see page 2)	

40° - 75° BEAM (Note: Specifications are subject to change without notice)		
14mm NICHIA COB PERFORMANCE DATA		
LED LIGHT ENGINE	NOMINAL DELIVERED LUMENS	SYSTEM WATTAGE
10LM	1080LM @30K/80CRI	14W
Notes	Delivered lumens based on HE45, 3000K (see page 2)	



FEATURES

- Seamless extrusion with powder coated finish for clean aesthetics
- Thermally optimized for longevity
- 40° - 75° beam spread
- UGR < 19
- Micro slim canopy option at 3/8" depth
- Multiple mounting, glare control options, trims and finishes available

DIMMING AND CONTROLS

- Flicker free 0-10V dimming to 1%
- DMX dimming to 1%
- Casambi bluetooth dimming to 1%

CONSTRUCTION

- Extruded aluminum housing
- Lexan™ (PC) Optimal connectivity for wireless control signal
- Machined aluminum canopy
- SVT pendant cord

LED

- Luminus tunable white COB:
95 CRI, R9 > 70: SDCM = 4-step MacAdam Ellipse; Lumen Maintenance: L70 > 54,000 hrs
- Nichia tunable white COB:
80 CRI, R9 > 0: SDCM = 3-step MacAdam Ellipse; Lumen Maintenance: L90 > 33,000 hrs

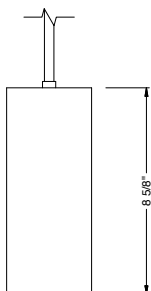
LISTING

- ULus Listed to UL1598 & UL2108; cUL Listed to CSA C22.2 #250.0
- Suitable for dry and damp locations
- Made in the USA - meets the requirements of the Buy American provision within the ARRA
- 5 Year Limited warranty

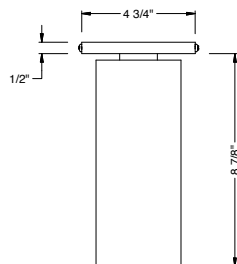
ELECTRICAL

- 120V-277V
- Power factory ≥ 0.9
- 2kV driver input surge protection
- Battery Backups not offered
- Emergency Generator/Inverter/Controls-Override Device supplied by other

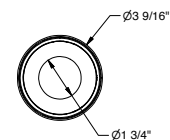
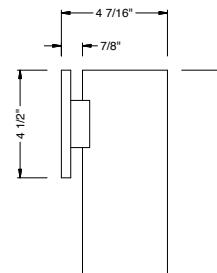
PENDANT



SURFACE MOUNT



WALL MOUNT



alphabet

PROJECT INFORMATION		
JOB NAME		TYPE
ORDERING CODE		

ORDERING CODE																									
SERIES	BETA	BETA																							
TYPE	3R	3" round																							
LED	TW	tunable white (Luminus)																							
DELIVERED LUMENS	10LM	990 lm																							
	Standard Configuration: 3500K HE45 Calculated Delivered Lumens = [Delivered Lumen Value] x [CCT Multiplier] x [Reflector Multiplier]																								
CCT	2765	2700K to 6500K tunable white																							
		<table border="1"> <thead> <tr> <th>CCT</th> <th>2700K</th> <th>3000K</th> <th>3500K</th> <th>4000K</th> <th>5000K</th> <th>5700K</th> <th>6500K</th> </tr> </thead> <tbody> <tr> <td>CCT MULTIPLIER FOR LUMEN OUTPUT</td> <td>0.91</td> <td>0.98</td> <td>1</td> <td>0.7</td> <td>1</td> <td>1.01</td> <td>1.02</td> </tr> <tr> <td>EML RATIO</td> <td>0.49</td> <td>0.57</td> <td>0.68</td> <td>0.79</td> <td>0.96</td> <td>1.04</td> <td>1.12</td> </tr> </tbody> </table>	CCT	2700K	3000K	3500K	4000K	5000K	5700K	6500K	CCT MULTIPLIER FOR LUMEN OUTPUT	0.91	0.98	1	0.7	1	1.01	1.02	EML RATIO	0.49	0.57	0.68	0.79	0.96	1.04
	CCT	2700K	3000K	3500K	4000K	5000K	5700K	6500K																	
	CCT MULTIPLIER FOR LUMEN OUTPUT	0.91	0.98	1	0.7	1	1.01	1.02																	
EML RATIO	0.49	0.57	0.68	0.79	0.96	1.04	1.12																		
1840	1800K to 4000K tunable white																								
	<table border="1"> <thead> <tr> <th>CCT</th> <th>1800K</th> <th>2000K</th> <th>2400K</th> <th>2700K</th> <th>3000K</th> <th>3500K</th> <th>4000K</th> </tr> </thead> <tbody> <tr> <td>CCT MULTIPLIER FOR LUMEN OUTPUT</td> <td>0.67</td> <td>0.74</td> <td>0.8</td> <td>0.85</td> <td>0.88</td> <td>0.95</td> <td>1.01</td> </tr> <tr> <td>EML RATIO</td> <td>0.21</td> <td>0.33</td> <td>0.45</td> <td>0.53</td> <td>0.59</td> <td>0.67</td> <td>0.73</td> </tr> </tbody> </table>	CCT	1800K	2000K	2400K	2700K	3000K	3500K	4000K	CCT MULTIPLIER FOR LUMEN OUTPUT	0.67	0.74	0.8	0.85	0.88	0.95	1.01	EML RATIO	0.21	0.33	0.45	0.53	0.59	0.67	0.73
CCT	1800K	2000K	2400K	2700K	3000K	3500K	4000K																		
CCT MULTIPLIER FOR LUMEN OUTPUT	0.67	0.74	0.8	0.85	0.88	0.95	1.01																		
EML RATIO	0.21	0.33	0.45	0.53	0.59	0.67	0.73																		
CRI	95	95 typical, 90 minimum																							
OPTIC & LM MULTIPLIER SEE PAGE 4	HE45	45° high efficiency diffused lens (1.00)																							
	HE60	60° high efficiency diffused lens (0.98)																							
	D40	40° diffused with clear lens (0.97)																							
	D60	60° diffused with clear lens (0.95)																							
	WH75	75° brilliant white with clear lens (0.96)																							
RECESSED LENS SEE PAGE 4	HCL ¹	honeycomb louver Attached to bezel																							
FINISH SEE PAGE 4	BK	black																							
	WH	white																							
	MC	matte chrome																							
BEZEL COLOR SEE PAGE 4	BK	black (0.98)																							
	WH	white (1.00)																							
	MC	matte chrome (0.99)																							
	BZ	bronze (0.98)																							
	WT	wheat (0.99)																							

ORDERING CODE		
MOUNTING OPTIONS SEE PAGE 6	W	wall mount
	S	surface mount
	JCOV-S	conduit junction box cover with knockouts, surface
	P ²	pendant, 108" flexible cord
	RP	rigid pendant 4' stem with swivel stem/canopy
	RP5	rigid pendant 5' stem with swivel stem/canopy
	RP6	rigid pendant 6' stem with swivel stem/canopy
	RP8	rigid pendant 8' stem with swivel stem/canopy
	RP10	rigid pendant 10' stem with swivel stem/canopy
	RPF2	rigid pendant 2' with fixed stem/canopy
	RPF3	rigid pendant 3' with fixed stem/canopy
	RPF4	rigid pendant 4' with fixed stem/canopy
RPF6	rigid pendant 6' with fixed stem/canopy	
JCOV-XX ³	conduit junction box cover with knockouts, complete XX code with desired pendant mount	
VOLTAGE	UNV	120V-277V
DIMMING	DIM10 ⁴	0-10V dimming to 1%
	DMX	DMX control dimming to 1%
	CAS	Casambi Bluetooth control with flicker free 1.0% dimming

YOUR COMPLETED ORDERING CODE	
Follow the steps to specify your fixture, example:	
BETA - 3R - TW - 10LM - 2765 - 95 - HE45 - WH - WH - RP - UNV - DIM10	

NOTES

- HCL not available with lens. Multiplier: Delivered Lumens (0.78) / Beam Spread (0.80).
- Pendant mount only offered in CAS dimming option.
- JCOV not available in RP mounting.
- Requires 2 wall controllers (see wiring diagram).

¹EML = equivalent melanopic lux, to calculate EML, multiply the measured photopic lux by the EML Ratio for the given CCT.

²Slim canopy with rigid stem connection shall be used in jurisdictions that DO NOT require light fixtures to freely swing in lateral directions, complying with local and national building codes.

³RP mounting with swivel is recommended to be installed on a 4in square or 4in deep regress 2-1/8" octagonal junction box.

alphabet

PROJECT INFORMATION		
JOB NAME		TYPE
ORDERING CODE		

NICHIA TUNABLE WHITE - ORDERING CODE																				
SERIES	BETA	BETA																		
TYPE	3R	3" round																		
LED	TW	tunable white (Nichia)																		
DELIVERED LUMENS	10LM	1080 lm																		
	Standard Configuration: 3500K HE45 Calculated Delivered Lumens = [Delivered Lumen Value] x [CCT Multiplier] x [Reflector Multiplier]																			
CCT	2750	2700K to 5000K tunable white																		
		<table border="1"> <thead> <tr> <th>CCT</th> <th>2700K</th> <th>3000K</th> <th>3500K</th> <th>4000K</th> <th>5000K</th> </tr> </thead> <tbody> <tr> <td>CCT MULTIPLIER FOR LUMEN OUTPUT</td> <td>0.85</td> <td>0.88</td> <td>0.95</td> <td>1.01</td> <td>1.02</td> </tr> <tr> <td>EML RATIO</td> <td>0.53</td> <td>0.59</td> <td>0.67</td> <td>0.73</td> <td>0.8</td> </tr> </tbody> </table>	CCT	2700K	3000K	3500K	4000K	5000K	CCT MULTIPLIER FOR LUMEN OUTPUT	0.85	0.88	0.95	1.01	1.02	EML RATIO	0.53	0.59	0.67	0.73	0.8
	CCT	2700K	3000K	3500K	4000K	5000K														
CCT MULTIPLIER FOR LUMEN OUTPUT	0.85	0.88	0.95	1.01	1.02															
EML RATIO	0.53	0.59	0.67	0.73	0.8															
CRI	80	80 CRI																		
OPTIC & LM MULTIPLIER SEE PAGE 4	HE45	45° high efficiency diffused lens (1.00)																		
	HE60	60° high efficiency diffused lens (0.98)																		
	D40	40° diffused with clear lens (0.97)																		
	D60	60° diffused with clear lens (0.95)																		
	WH75	75° brilliant white with clear lens (0.96)																		
RECESSED LENS SEE PAGE 4	HCL¹	honeycomb louver																		
	Attached to bezel																			
FINISH SEE PAGE 4	BK	black																		
	WH	white																		
	MC	matte chrome																		
BEZEL COLOR SEE PAGE 4	BK	black (0.98)																		
	WH	white (1.00)																		
	MC	matte chrome (0.99)																		
	BZ	bronze (0.98)																		
	WT	wheat (0.99)																		

NICHIA TUNABLE WHITE - ORDERING CODE		
MOUNTING OPTIONS SEE PAGE 6	W	wall mount
	S	surface mount
	JCOV-S	conduit junction box cover with knockouts, surface
	P²	pendant, 108" flexible cord
	RP	rigid pendant 4' stem with swivel stem/canopy
	RP5	rigid pendant 5' stem with swivel stem/canopy
	RP6	rigid pendant 6' stem with swivel stem/canopy
	RP8	rigid pendant 8' stem with swivel stem/canopy
	RP10	rigid pendant 10' stem with swivel stem/canopy
	RPF2	rigid pendant 2' with fixed stem/canopy
	RPF3	rigid pendant 3' with fixed stem/canopy
	RPF4	rigid pendant 4' with fixed stem/canopy
RPF6	rigid pendant 6' with fixed stem/canopy	
	JCOV-XX³	conduit junction box cover with knockouts, complete XX code with desired pendant mount
VOLTAGE	UNV	120V-277V
DIMMING	DIM10⁴	0-10V dimming to 1%
	DMX	DMX control dimming to 1%
	CAS	Casambi Bluetooth control with flicker free 1.0% dimming

YOUR COMPLETED ORDERING CODE	
Follow the steps to specify your fixture, example:	
BETA - 3R - TW - 10LM - 2750 - 80 - HE45 - WH - WH - RP - UNV - DIM10	

NOTES

- HCL not available with lens. Multiplier: Delivered Lumens (0.78) / Beam Spread (0.80).
- Pendant mount only offered in CAS dimming option.
- JCOV not available in RP mounting.
- Requires 2 wall controllers (see wiring diagram).

*EML = equivalent melanopic lux, to calculate EML, multiply the measured photopic lux by the EML Ratio for the given CCT.

*Slim canopy with rigid stem connection shall be used in jurisdictions that DO NOT require light fixtures to freely swing in lateral directions, complying with local and national building codes.

*RP mounting with swivel is recommended to be installed on a 4in square or 4in deep regress 2-1/8" octagonal junction box.

alphabet

PROJECT INFORMATION		
JOB NAME		TYPE
ORDERING CODE		

BEVEL OPTIONS

BEZEL COLORS



OPTICAL OPTIONS

- UGR calculation based on CIE 117-1995; room size: 4H X 8H, reflectance: 70/50/20;
- UGR calculation based on 10LM fixtures.

LUMINUS - 2700K TO 6500K



OPTIC	BEAM ANGLE	UGR
D40	39.6	16.9
D60	60.3	20.2
WH75	74	23.5



OPTIC	BEAM ANGLE	UGR
HE45	44.8	20.5
HE60	60.8	23.3

NICHIA - 2700K TO 5000K



OPTIC	BEAM ANGLE	UGR
D40	39.6	17.2
D60	60.3	20.5
WH75	74	23.8



OPTIC	BEAM ANGLE	UGR
HE45	44.8	20.8
HE60	60.8	23.6

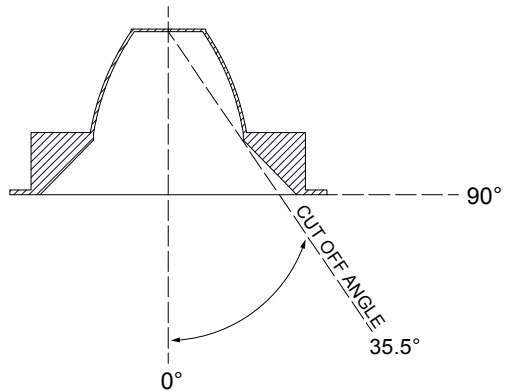
GLARE CONTROL

CUT-OFF ANGLE

Visual comfort is achieved with a lower cut-off angle due to improved glare control. The smaller the cut-off angle, the easier it is on the eye.

Alphabet downlights have been thoughtfully engineered to eliminate glare while still delivering functional illumination.

- Cutoff angle of CL is 35.5 degrees;



alphabet

PROJECT INFORMATION		
JOB NAME		TYPE
ORDERING CODE		

PHOTOMETRIC DATA

10LM CCT MULTIPLIERS		
	80CRI	90CRI
2700K	0.96	0.81
3000K	1	0.85
3500K	1.03	0.88
4000K	1.06	0.91
FC Formula = CBCP / Distance ²		

D40 40° DIFFUSED WITH CLEAR LENS	
Throw Distance (ft)	Beam Diameter (ft)
6	4.3
8	5.7
10	7.2
12	8.6
14	10
Illuminance at Center (fc)	
49	
27	
17	
12	
9	
WATTS: 13.9	LPW: 69.4
LUMENS: 967	CCT: 3000K
INTENSITY	
DEGREE	CANDELA
0	1747
5	1670
15	1161
25	621
35	250.7
45	40

HE45 45° HIGH EFFICIENCY DIFFUSED LENS	
Throw Distance (ft)	Beam Diameter (ft)
6	4.9
8	6.5
10	8.1
12	9.8
14	11.4
Illuminance at Center (fc)	
38	
21	
14	
9	
7	
WATTS: 13.9	LPW: 71.3
LUMENS: 993	CCT: 3000K
INTENSITY	
DEGREE	CANDELA
0	1356
5	1307
15	977
25	571
35	294
45	138

HE60 61° HIGH EFFICIENCY DIFFUSED LENS	
Throw Distance (ft)	Beam Diameter (ft)
6	7
8	9.4
10	11.7
12	14
14	16.4
Illuminance at Center (fc)	
24	
13	
8	
6	
4	
WATTS: 13.9	LPW: 70.2
LUMENS: 978	CCT: 3000K
INTENSITY	
DEGREE	CANDELA
0	847
5	829
15	705
25	522
35	344
45	201

WH75 74° BRILLIANT WHITE WITH CLEAR LENS	
Throw Distance (ft)	Beam Diameter (ft)
6	9
8	12
10	15
12	18
14	21
Illuminance at Center (fc)	
17	
10	
6	
4	
3	
WATTS: 13.9	LPW: 68.4
LUMENS: 953	CCT: 3000K
INTENSITY	
DEGREE	CANDELA
0	621
5	619
15	598
25	560
35	364
45	177

10LM CCT MULTIPLIERS		
	80CRI	90CRI
2700K	0.96	0.81
3000K	1	0.85
3500K	1.03	0.88
4000K	1.06	0.91
FC Formula = CBCP / Distance ²		

D40 40° DIFFUSED WITH CLEAR LENS	
Throw Distance (ft)	Beam Diameter (ft)
6	4.3
8	5.7
10	7.2
12	8.6
14	10
Illuminance at Center (fc)	
53	
30	
19	
13	
10	
WATTS: 13.5	LPW: 77.9
LUMENS: 1052	CCT: 3000K
INTENSITY	
DEGREE	CANDELA
0	1900
5	1816
15	1262
25	675
35	273
45	44

HE45 45° HIGH EFFICIENCY DIFFUSED LENS	
Throw Distance (ft)	Beam Diameter (ft)
6	4.9
8	6.5
10	8.1
12	9.8
14	11.4
Illuminance at Center (fc)	
41	
23	
15	
10	
8	
WATTS: 13.5	LPW: 80
LUMENS: 1080	CCT: 3000K
INTENSITY	
DEGREE	CANDELA
0	1474
5	1421
15	1062
25	620
35	320
45	150

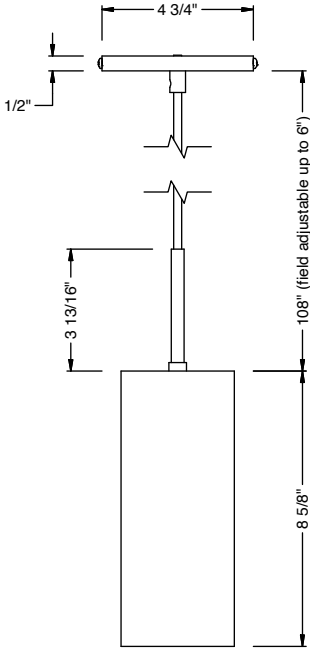
HE60 61° HIGH EFFICIENCY DIFFUSED LENS	
Throw Distance (ft)	Beam Diameter (ft)
6	7
8	9.4
10	11.7
12	14
14	16.4
Illuminance at Center (fc)	
26	
14	
9	
6	
5	
WATTS: 13.5	LPW: 78.8
LUMENS: 1063	CCT: 3000K
INTENSITY	
DEGREE	CANDELA
0	921
5	902
15	767
25	568
35	375
45	218

WH75 74° BRILLIANT WHITE WITH CLEAR LENS	
Throw Distance (ft)	Beam Diameter (ft)
6	9
8	12
10	15
12	18
14	21
Illuminance at Center (fc)	
19	
11	
7	
5	
3	
WATTS: 13.5	LPW: 76.7
LUMENS: 1036	CCT: 3000K
INTENSITY	
DEGREE	CANDELA
0	675
5	674
15	651
25	609
35	396
45	192

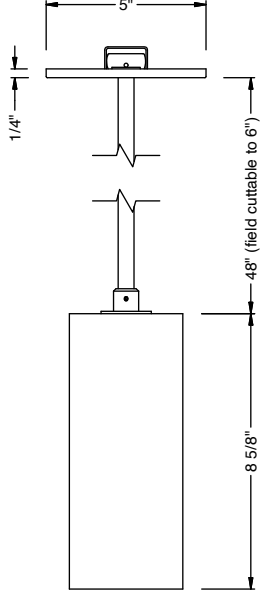
alphabet

PROJECT INFORMATION		
JOB NAME		TYPE
ORDERING CODE		

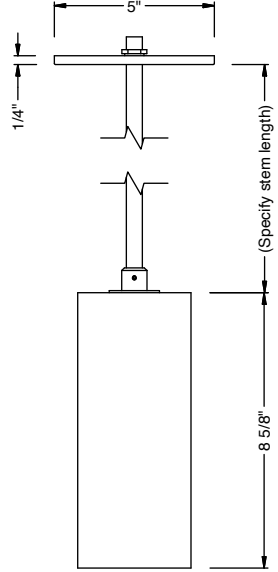
MOUNTING OPTIONS



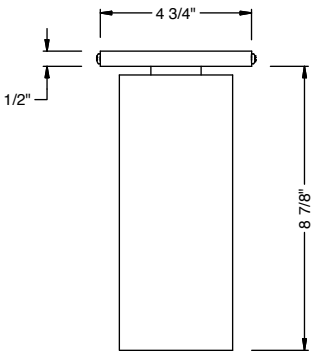
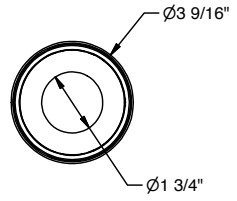
PENDANT
CAS



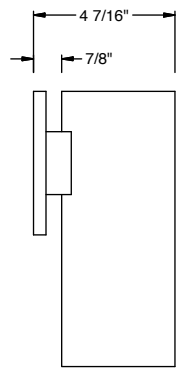
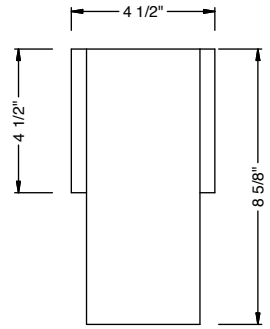
RP SWIVEL
DIM10 / DMX / CAS



RP FIXED
DIM10 / DMX / CAS



SURFACE MOUNT
DIM10 / DMX / CAS



WALL MOUNT
DIM10 / DMX / CAS

