



LM-79

JOB NAME _____

CONTACT _____

ORDERING CODE _____

NU4RD



DESCRIPTION

The NU4RD 4" recessed downlight by ALPHABET offers multiple cutting edge LED technologies, premium performance, thoughtful construction and pleasing aesthetics. Offered standard with premium dimming using EldoLED 1% flicker free drivers in 120V, 277V, and 347V. A minimalistic look is achieved with an ultra thin 1/16" trim that is only 5/16" wide. Color choices of both Trim and Bezel for a customized look. Optional high efficiency BrightView diffused lens for smooth light distribution and obscured LED image. Several beam angles and LITEOPTICS available.

HOUSING

Electrocoated 16 gauge cold rolled steel provides enhanced structural reinforcement and rust prevention. Superior flame retardant UL certified injection molded commercial grade Lexan™ (PC) is used for the Frame and Regressed Bezel Trim. Lexan™ provides unmatched durability/impact resistance, 250°F thermal resistance, and is UL tested for UV resistance and water exposure in outdoor applications. Thermally advanced anodized heat sink using 6063 alloy. Wet location rated is offered standard. 90min constant power IOTA emergency battery backup available in several power options.

MOUNTING

An advanced mounting system allows for quick and secure installation with LED and Driver serviceability from below the ceiling. The LED assembly uses two die cast aluminum Mounting Clamp Grips (MCG) that swing out to tighten onto variable ceiling thicknesses ranging from 1/8" to 1-5/8" thick. Integrated rubber feet on each MCG provide a non-slip vibration resistant installation. The hidden MCG system is accessible from below ceiling by removing the snap-in Lens/Bezel Assembly with either the included suction cup or a screwdriver blade. Integrated Bar Hangers feature integral toothed nails, T-bar mounting slots with locking holes, Tabs for joist positioning, and extendibility from 14-3/4" to 26". Retrofit mounting option allows for installation from below ceiling by use of compact driver box. Ceiling cutout size is 4-3/8" diameter.

LISTINGS

- ETLus Listed to UL1598, cETL Listed to CSA C22.2 #250.0
- Type Non-IC, IC, CP, Airtight ASTM Standard E283
- Suitable for Wet locations, IP65
- Non-conductive, Lexan™ dead-front construction
- Made in the USA – meets the requirements of the Buy American provision within the ARRA

LED INFO

- SDCM = 1X2 MacAdam Ellipse, DUV +/- 0.001

ORDERING CODE

SERIES	NU4			
TYPE	RD	round downlight		
LED	XTM19	XTM19		
DELIVERED LUMEN	07LM	610 lm		
	10LM	870 lm		
	13LM	1130 lm		
	20LM	1730 lm		
	30LM ³	2600 lm		
	40LM ³	3460 lm		
CCT	27K	2700K		
	B27K ²	2700K beauty		
	30K	3000K		
	V30K	3000K vibrant		
	35K	3500K		
	40K	4000K		
CRI	83	83CRI		
	98	98CRI		
REFLECTOR & LM MULTIPLIER	HE40	40° high efficiency diffused lens (0.95)		
	HE60	60° high efficiency diffused lens (0.94)		
	HE80	80° high efficiency diffused lens (0.98)		
	S20	20° specular w/ clear lens (0.99)		
	S30	30° specular w/ clear lens (1.00)		
	S60	60° specular w/ clear lens (0.95)		
	D40	40° diffused w/ clear lens (0.88)		
	D50	50° diffused w/ clear lens (0.89)		
	D60	60° diffused w/ clear lens (0.90)		
	WH80	80° brilliant white w/ clear lens (0.99)		
NO LENS OPTION	NL ⁵	no lens		
VOLTAGE	120	120V		
	277	277V		
DIMMING	DIM10 ⁶	standard driver with flicker free 0-10V dimming to 1%		
	DIM10Z ⁶	flicker free 0-10V dimming to 0%		
	DALI ⁶	flicker free dali dimming to 1%		
	DALIZ ⁶	flicker free dali dimming to 0%		
	DMXZ	flicker free dmx dimming to 0%		
	LUDA	lutron ecosystem dimming to 1%		
	ELV ⁷	leading & trailing edge dimming (Triac/ELV)		
MOUNTING OPTIONS	NC	new construction with ceiling fitting plate		
	IC ³	insulation contact housing		
	ICAT ³	insulation contact / airtight housing		
	CP ³	chicago plenum housing		
	RET	retrofit, no ceiling fitting plate		
TRIM COLOR	WH	white		
	MC	matte chrome		
	BK	black		
	BZ	bronze		
	WT	wheat		
BEZEL COLOR	WH	white		
	MC	matte chrome		
	BK	black		
	BZ	bronze		
	WT	wheat		
ELECTRICAL OPTIONS	EM7	emergency battery backup, 90 minutes at 7 watts to LED		
	EM12 ^{4,8}	emergency battery backup, 90 minutes at 12 watts to LED		
	FOR 347V OPTION	order separate "347V to 277V" step down transformer p/n: P70489		

ORDERING CODE

Follow the steps to specify your fixture, example:

NU4 - RD - XTM19 - 13LM - 35K - 98 - D50 - 120 - DIM10 - NC - WH - WH - EM7

XTM19	POWER			
	DELIVERED LM	W (83CRI)	VA (83CRI)	W (98CRI)
610	9.5	10.2	11.4	12.1
870	12.4	13.1	15.4	16.1
1130	16.5	17.2	20.9	21.6
1730	25.9	26.5	32.9	33.2
2600	36.5	36.8	42.9	42.6
3460	48.8	49.1	N/A	N/A

NOTES

- 98 CRI not available for 40LM.
- B27K Beauty Series choose 98 CRI (actual 93). Available for 07LM, 10LM, 13LM, and 20LM only.
- IC/ICAT/CP not available for 98CRI in 30LM or 83/98CRI in 40LM.
- EM12 not available for 83CRI in 07LM, 10LM or 13LM.
- No lens option available for S20, S30, S60, D40, D50, D60, or WH80 and is damp location rated.
- Driver uses logarithmic dimming curve as standard. For linear dimming curve add "LIN" after dimming code, i.e. DIM10LIN.
- Triac/ELV dimming available for 83/98cri in 10LM, 13LM, 20LM, & 83cri only in 30LM. Dimmable to < 10% in 10LM, 13LM. Dimmable to < 1% in 20LM, 30LM.
- For integrated test switch add "ITS" after emergency backup code, i.e. EM12ITS. Test switch is mounted in the bezel of the fixture

SPECIALTY ORDERING CODE

BIOS ORDERING CODE

XIM19 ORDERING CODE

LUMENITIX ORDERING CODE

SERIES	NU4		NU4	NU4		NU4	
TYPE	RD	round downlight	RD	round downlight	RD	round downlight	
LED	BIOS	BIOS	XIM19	XIM19	LMX	LMX	
DELIVERED LUMEN	08LM	720 lm	13LM	1130 lm	12LM	1020 lm	
	11LM	930 lm	20LM	1730 lm	15LM	1270 lm	
	16LM ¹	1420 lm	30LM ^{1,2}	2600 lm	20LM	1690 lm	
CCT & LM MULTIPLIER	30K	3000K (0.95)	27K	2700K	TC	tunable color, 8000K - 1650K warm dimming 3050K @ 100% to 1800K @1%	
	35K	3500K (0.97)	30K	3000K			
	40K	4000K (1.00)	V30K	3000K vibrant			
	50K	5000K (1.02)	35K	3500K			
	40K	4000K					
CRI	85	85CRI	83	83CRI	90	90CRI	
	98	98CRI	98	98CRI			
REFLECTOR & LM MULTIPLIER	HE40	40° high efficiency diffused lens (0.95)	HE40	40° high efficiency diffused lens (0.95)	HE40	40° high efficiency diffused lens (0.95)	
	HE60	60° high efficiency diffused lens (0.94)	HE60	60° high efficiency diffused lens (0.94)	HE60	60° high efficiency diffused lens (0.94)	
	HE80	80° high efficiency diffused lens (0.98)	HE80	80° high efficiency diffused lens (0.98)	HE80	80° high efficiency diffused lens (0.98)	
	S20	20° specular w/ clear lens (0.99)	S20	20° specular w/ clear lens (0.99)	S20	20° specular w/ clear lens (0.99)	
	S30	30° specular w/ clear lens (1.00)	S30	30° specular w/ clear lens (1.00)	S30	30° specular w/ clear lens (1.00)	
	S60	60° specular w/ clear lens (0.95)	S60	60° specular w/ clear lens (0.95)	S60	60° specular w/ clear lens (0.95)	
	D40	40° diffused w/ clear lens (0.88)	D40	40° diffused w/ clear lens (0.88)	D40	40° diffused w/ clear lens (0.88)	
	D50	50° diffused w/ clear lens (0.89)	D50	50° diffused w/ clear lens (0.89)	D50	50° diffused w/ clear lens (0.89)	
	D60	60° diffused w/ clear lens (0.90)	D60	60° diffused w/ clear lens (0.90)	D60	60° diffused w/ clear lens (0.90)	
	WH80	80° brilliant white w/ clear lens (0.99)	WH80	80° brilliant white w/ clear lens (0.99)	WH80	80° brilliant white w/ clear lens (0.99)	
NO LENS OPTION	NL ²	no lens	NL ³	no lens	NL ¹	no lens	
VOLTAGE	120	120V	UNV	120V-277V	120	120V	
	277	277V			277	277V	
DIMMING	DIM10 ³	standard driver with flicker free 0-10V dimming to 1%	DIM10Z	flicker free 0-10V dimming to 0%	DIM10	0-10V control, dimmable to 1% + bluetooth control	
	DIM10Z ³	flicker free 0-10V dimming to 0%	DALIZ	flicker free dali dimming to 0%	DMX	dmx control, dimmable to 1%, + bluetooth control	
	DALI ³	flicker free dali dimming to 1%	DIM10ZBL	flicker free 0-10V dimming to 0% + bluetooth control & beacon technology	LUD	lutron ecosystem control, dimmable to 1% + bluetooth control	
	DALIZ ³	flicker free dali dimming to 0%	DALIZBL	flicker free dali dimming to 0% + bluetooth control & beacon technology			
	DMXZ	flicker free dmx dimming to 0%					
	LUDA	lutron ecosystem dimming to 1%					
MOUNTING OPTIONS	NC	new construction with ceiling fitting plate	NC	new construction with ceiling fitting plate	NC	new construction with ceiling fitting plate	
	IC ¹	insulation contact housing	IC ²	insulation contact housing	IC	insulation contact housing	
	ICAT ¹	insulation contact / airtight housing	ICAT ²	insulation contact / airtight housing	ICAT	insulation contact / airtight housing	
	CP ¹	chicago plenum housing	CP ²	chicago plenum housing	CP	chicago plenum housing retrofit,	
	RET	retrofit, no ceiling fitting plate	RET	retrofit, no ceiling fitting plate	RET	no ceiling fitting plate	
TRIM COLOR	WH	white	WH	white	WH	white	
	MC	matte chrome	MC	matte chrome	MC	matte chrome	
	BK	black	BK	black	BK	black	
	BZ	bronze	BZ	bronze	BZ	bronze	
	WT	wheat	WT	wheat	WT	wheat	
BEZEL COLOR	WH	white	WH	white	WH	white	
	MC	matte chrome	MC	matte chrome	MC	matte chrome	
	BK	black	BK	black	BK	black	
	BZ	bronze	BZ	bronze	BZ	bronze	
	WT	wheat	WT	wheat	WT	wheat	
ELECTRICAL OPTIONS	EM7 ⁴	emergency battery backup, 90 minutes at 7 watts to LED	EMIN	order separate emergency battery backup inverter, 90 minutes at full power	EMIN	order separate emergency battery backup, 90 minutes at full power p/n: P70490-50W	
	EM12 ⁴	emergency battery backup, 90 minutes at 12 watts to LED	FOR 347V OPTION	order separate "347V to 277V" step down transformer p/n: P70489	FOR 347V OPTION	order separate "347V to 277V" step down transformer p/n: P70489	
	FOR 347V OPTION	order separate "347V to 277V" step down transformer p/n: P70489					

ORDERING CODE

Follow the steps to specify your fixture, example:
NU4 - RD - XIM19 - 20LM - 30K - 83 - HE60 - UNV - DALIZ - NC - MC - MC - EMIN

BIOS® DELIVERED LM	POWER	
	W (85CRI)	VA (85CRI)
720	15.8	16.3
930	20.5	21.2
1420	32.7	33.3

XIM19 DELIVERED LM	POWER			
	W (83CRI)	VA (83CRI)	W (98CRI)	VA (98CRI)
1130	16.4	17.3	20.3	21.2
1730	25.4	26.2	33.4	34.1
2600	37.1	37.7	N/A	N/A

LMX DELIVERED LM	POWER	
	W (90CRI)	VA (90CRI)
1020	24	25
1270	31	32
1690	39	40

BIOS NOTES

- IC/ICAT/CP not available for 16LM
- No lens option available for S20, S30, S60, D40, D50, D60, or WH80 and is damp location rated.
- Driver uses logarithmic dimming curve as standard. For linear dimming curve add "LIN" after dimming code, i.e. DIM10LIN.
- For integrated test switch add "ITS" after emergency backup code, i.e. EM12ITS.

XIM19 NOTES

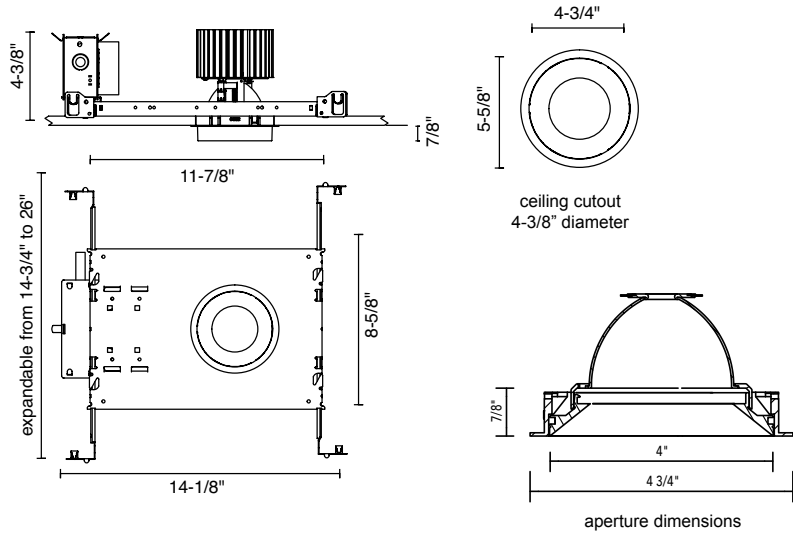
- 98 CRI not available for 30LM.
- IC/ICAT/CP not available for 30LM.
- No lens option available for S20, S30, S60, D40, D50, D60, or WH80 and is damp location rated.

LMX NOTES

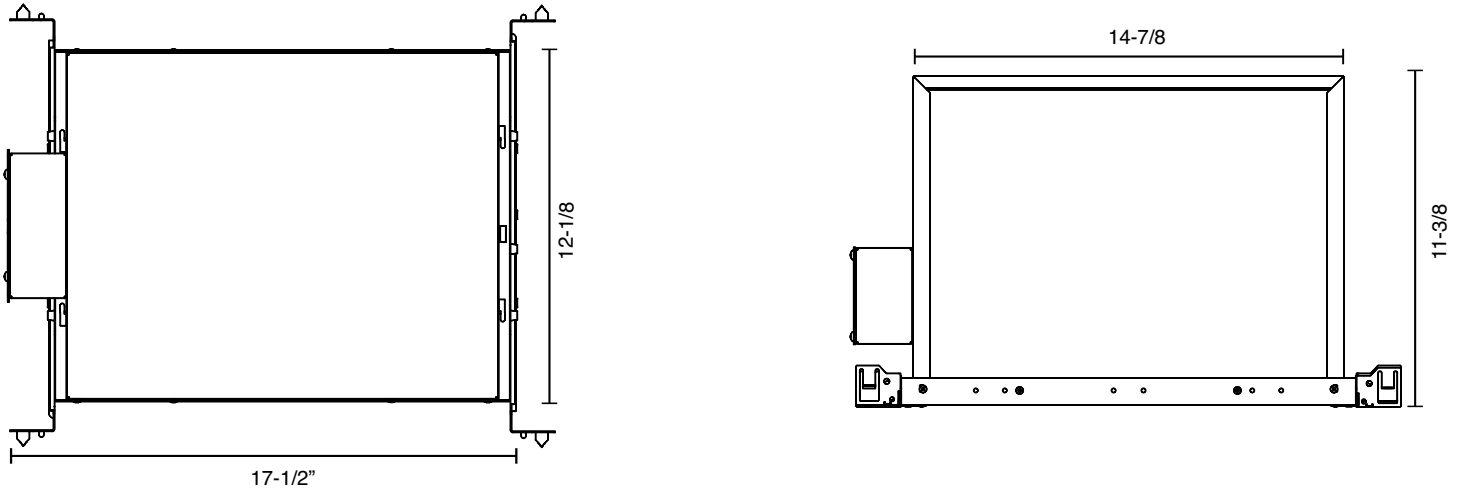
- No lens option available for S20, S30, S60, D40, D50, D60, or WH80 and is damp location rated.

MOUNTING OPTIONS

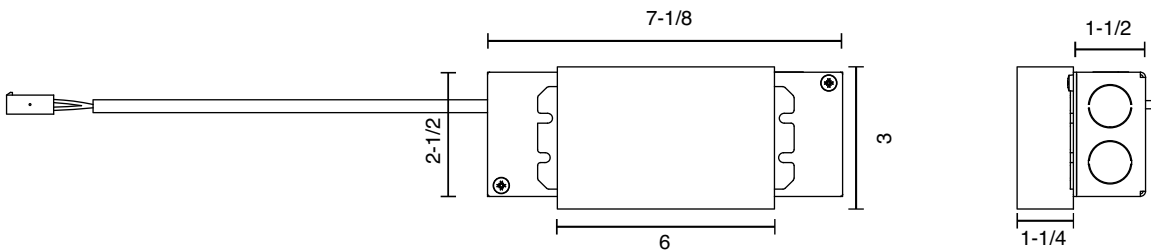
NC - NEW CONSTRUCTION



- IC¹ - INSULATION CONTACT HOUSING
- CP - CHICAGO PLENUM
- ICAT - INSULATION CONTACT / AIR TIGHT



RET - RETROFIT



NOTES

1 Consult factory for smaller IC Housings when selecting lower lumen packages.



ORDERING CODE - ENERGY STAR

SERIES	NU4	
TYPE	RD	round downlight
LED	XTM19	XTM19
DELIVERED LUMEN	10LM	870 lm
	13LM	1130 lm
CCT	27K	2700K
	30K	3000K
	35K	3500K
	40K	4000K
CRI	83	83CRI
	90	90CRI
REFLECTOR & LM MULTIPLIER	HE40	40° high efficiency diffused lens (0.95)
	HE60	60° high efficiency diffused lens (0.94)
	HE80	80° high efficiency diffused lens (0.98)
	S20	20° specular w/ clear lens (0.99)
	S30	30° specular w/ clear lens (1.00)
	S60	60° specular w/ clear lens (0.95)
VOLTAGE	120	120V
	277	277V
DIMMING	DIM10	standard driver with flicker free 0-10V dimming to 1%
MOUNTING OPTIONS	NC	new construction with ceiling fitting plate
	IC	insulation contact housing
	ICAT	insulation contact / airtight housing
	RET	retrofit, no ceiling fitting plate
TRIM COLOR	WH	white
BEZEL COLOR	WH	white

ORDERING CODE _____

Follow the steps to specify your fixture, example:
NU4 - RD - XTM19 - 13LM - 27K - 90 - S60 - 120 - DIM10 - IC - WH - WH

Zonal Lumen Summary

Zone	Lumens	%Lamp	%Fixt
0-20	480.52	N.A.	41.00
0-30	953.58	N.A.	81.40
0-40	1138.16	N.A.	97.20
0-60	1160.67	N.A.	99.10
0-80	1167.37	N.A.	99.70
0-90	1168.34	N.A.	99.80
10-90	1040.99	N.A.	88.90
20-40	657.64	N.A.	56.20
20-50	674.83	N.A.	57.60
40-70	26.56	N.A.	2.30
60-80	6.71	N.A.	0.60
70-80	2.65	N.A.	0.20
80-90	0.97	N.A.	0.10
90-110	1.03	N.A.	0.10
90-120	1.47	N.A.	0.10
90-130	1.83	N.A.	0.20
90-150	2.36	N.A.	0.20
90-180	2.68	N.A.	0.20
110-180	1.64	N.A.	0.10
0-180	1171.02	N.A.	100.00

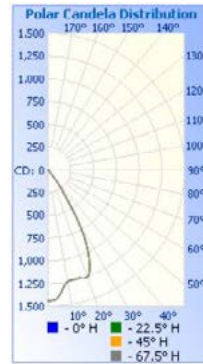
Zonal Lumen Summary

Zone	Lumens
0-10	127.36
10-20	353.16
20-30	473.06
30-40	184.58
40-50	17.18
50-60	5.32
60-70	4.05
70-80	2.65
80-90	0.97
90-100	0.54
100-110	0.49
110-120	0.43
120-130	0.36
130-140	0.29
140-150	0.24
150-160	0.17
160-170	0.11
170-180	0.04

Total Luminaire Efficiency = N.A.%

Luminance Data (cd/sq.m)

Angle In Degrees	Average 0-Deg	Average 45-Deg	Average 90-Deg
45	0	9100	6435
55	0	2659	1880
65	0	1673	1183
75	0	998	706
85	0	358	253



NU4-RD-XTM19-13LM-30K-83-S60-120-DIM10-RET-WH-WH