

JOB NAME \_\_\_\_\_

CONTACT \_\_\_\_\_

ORDERING CODE \_\_\_\_\_

**JA8 ORDERING CODES**



SERIES	NU4RD	
LED	XTM	XTM19
DELIVERED LUMENS	10L	870 lm
	13L	1130 lm
CCT	27K	2700K
	30K	3000K
	35K	3500K
	40K	4000K
CRI	90	90CRI
REFLECTOR & LM MULTIPLIER	HE40	40° high efficiency diffused lens (0.95)
	HE60	60° high efficiency diffused lens (0.94)
	HE80	80° high efficiency diffused lens (0.98)
	S20	20° specular w/ clear lens (0.99)
	S30	30° specular w/ clear lens (1.00)
	S60	60° specular w/ clear lens (0.95)
WH80	80° brilliant white w/ clear lens (0.99)	
VOLTAGE	120	120V
	277	277V
DIMMING	D10	standard driver with flicker free 0-10V dimming to 1% leading & trailing edge dimming (Triac/ELV)
	ELV	
MOUNTING OPTIONS	IC	insulation contact housing

# NU4RD - JA8



**XICATO**



**eldoLED**  
your product | our drive



**DESCRIPTION**

The NU4RD 4" recessed downlight by ALPHABET offers premium performance, thoughtful construction and pleasing aesthetics. Offered standard with premium dimming using EldoLED 1% flicker free drivers in 120V, 277V. A minimalistic look is achieved with an ultra thin 1/16" trim that is only 5/16" wide.

**HOUSING**

Electrocoated 16 gauge cold rolled steel provides enhanced structural reinforcement and rust prevention. Superior flame retardant UL certified injection molded commercial grade Lexan™ (PC) is used for the Frame and Regressed Bezel Trim. Lexan™ provides unmatched durability/ impact resistance, 250°F thermal resistance, and is UL tested for UV resistance and water exposure in outdoor applications. Thermally advanced anodized heat sink using 6063 alloy.

**MOUNTING**

An advanced mounting system allows for quick and secure installation with LED and Driver serviceability from below the ceiling. The LED assembly uses two die cast aluminum Mounting Clamp Grips (MCG) that swing out to tighten onto variable ceiling thicknesses ranging from 1/8" to 1-1/4" thick. Integrated rubber feet on each MCG provide a non-slip vibration resistant installation. The hidden MCG system is accessible from below ceiling by removing the snap-in Lens/Bezel Assembly with either the included suction cup or a screwdriver blade. Integrated Bar Hangers feature integral toothed nails, T-bar mounting slots with locking holes, Tabs for joint positioning, and extendibility from 14-3/4" to 26". Ceiling cutout size is 4-3/8" diameter.

**LISTINGS**

- JA8 - 2016 (complies with 2016 Title 24, part 6 high efficacy luminaire requirements)
- ETLus Listed to UL1598, cETL Listed to CSA C22.2 #250.0
- Airtight ASTM Standard E283
- Suitable for Wet locations, IP65
- Non-conductive, Lexan™ dead-front construction
- Made in the USA – meets the requirements of the Buy American provision within the ARRA

**LED INFO**

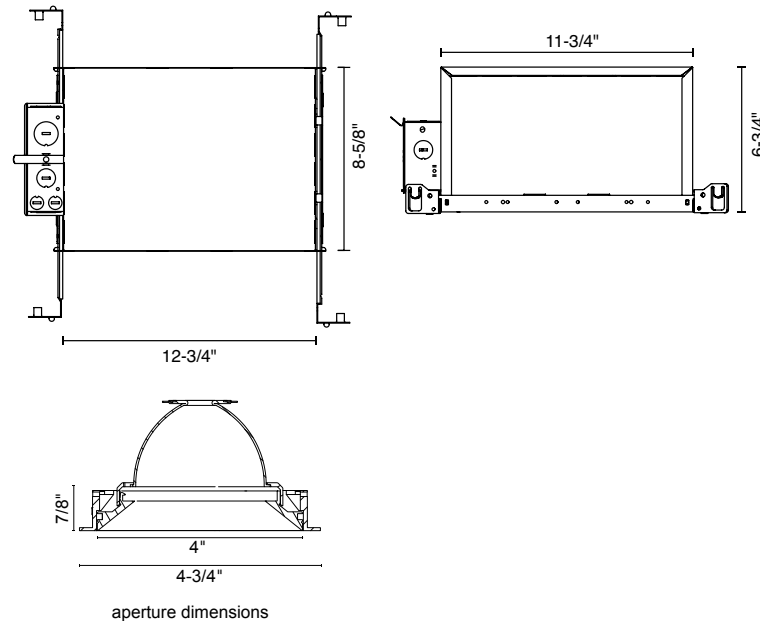
- SDCM 1X2 MacAdam Ellipse
- DUV +/- 0.001
- Life L80 50,000 hrs
- Warranty 5 year fixture warranty

ORDERING CODE \_\_\_\_\_

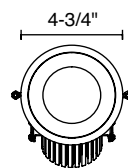
Follow the steps to specify your fixture, example:  
**NU4RDXTM13L27K90S20120D10IC**

**NOTES**

- 1 JA8 Series fixtures only available in white trim and bezel.



**IC - INSULATION CONTACT HOUSING**



ceiling cutout  
4-3/8" diameter

DELIVERED LM	POWER	
	W	VA
870	10.3	11.8
1130	14.1	15.4