



JOB NAME _____

CONTACT _____

ORDERING CODE _____

NU4RD VECTOR



DESCRIPTION

The NU4RD VECTOR 4" recessed downlight by ALPHABET offers Lens Vector beam shaping technology, premium performance, thoughtful construction and pleasing aesthetics. Allows for individual wireless control using Casambi, or optional hardwired 0-10V control. Offered standard with premium dimming using EldoLED 1% flicker free drivers in 120V, 277V, and 347V. A minimalistic look is achieved with an ultra thin 1/16" trim that is only 5/16" wide. Color choices of both Trim and Bezel for a customized look.

HOUSING

Electrocoated 16 gauge cold rolled steel provides enhanced structural reinforcement and rust prevention. Superior flame retardant UL certified injection molded commercial grade Lexan™ (PC) is used for the Frame and Regressed Bezel Trim. Lexan™ provides unmatched durability/impact resistance, 250°F thermal resistance, and is UL tested for UV resistance and water exposure in outdoor applications. Thermally advanced anodized heat sink using 6063 alloy. Wet location rated is offered standard.

MOUNTING

An advanced mounting system allows for quick and secure installation with LED and Driver serviceability from below the ceiling. The LED assembly uses two die cast aluminum Mounting Clamp Grips (MCG) that swing out to tighten onto variable ceiling thicknesses ranging from 1/8" to 1-5/8" thick. Integrated rubber feet on each MCG provide a non-slip vibration resistant installation. The hidden MCG system is accessible from below ceiling by removing the snap-in Lens/Bezel Assembly with either the included suction cup or a screwdriver blade. Integrated Bar Hangers feature integral toothed nails, T-bar mounting slots with locking holes, Tabs for joist positioning, and extendibility from 14-3/4" to 26". Retrofit mounting option allows for installation from below ceiling by use of compact driver box and Lens Vector Control box. Ceiling cutout size is 4-3/8" diameter.

LISTINGS

- ETLus Listed to UL1598, cETL Listed to CSA C22.2 #250.0
- Type Non-IC, Airtight ASTM Standard E283
- Suitable for Wet locations
- Made in the USA – meets the requirements of the Buy American provision within the ARRA"

LED INFO

Xicato XTM
 - 83/98 CRI: SDCM = 1X2 MacAdam Ellipse, DUV +/- 0.001
 Seoul Semiconductor Acrich MJT COB
 - 90 CRI: SDCM = 1X2 MacAdam Ellipse, DUV +/- 0.001
 - 80 CRI: SDCM = 1X3 MacAdam Ellipse, DUV +/- 0.001

XICATO LED ORDERING CODE

SERIES	NU4	
TYPE	RD	round downlight
LED	XTM09	XTM 9mm (Xicato)
DELIVERED LUMEN (3000K 83CRI)	07LM 10LM 13LM 20LM	525 lm 750 lm 975 lm 1500 lm
CCT	27K 30K V30K 35K 40K	2700K 3000K 3000K VIBRANT 3500K 4000K
CRI	83 98 ¹	83CRI 98CRI
REFLECTOR	LV	Lens Vector Beam Control 10°-55° (available w/ Casambi or hardwired 0-10V)
VOLTAGE	120 277	120V 277V
CONTROLS	CAS ² DIM10 ³ DIM10Z ³	Casambi BLE Control with Flicker Free 1% dimming 0-10V Beam Control + flicker free 0-10V dimming to 1% (no BLE control) 0-10V Beam Control + flicker free 0-10V dimming to 0% (no BLE control)
MOUNTING OPTIONS	NC RET	new construction with ceiling fitting plate retrofit, no ceiling fitting plate
TRIM COLOR	WH MC BK BZ WT	white matte chrome black bronze wheat
BEZEL COLOR	WH MC BK BZ WT	white matte chrome black bronze wheat
ELECTRICAL OPTIONS	FOR 347V OPTION	order separate "347V to 277V" step down transformer p/n: P70489

ORDERING CODE _____

Follow the steps to specify your fixture, example:
NU4 - RD - XTM09 - 13LM - 35K - 83 - LV - 120 - CAS - NC - WH - WH

XTM09	POWER				
	DELIVERED LM	W (83CRI)	VA (83CRI)	W (98CRI)	VA (98CRI)
525		10.2	11.0	12.4	13.3
750		14.8	15.9	21.0	22.6
975		19.4	20.9	29.6	31.8
1500		36.0	38.7	N/A	N/A

NOTES

- 1 98CRI not available in 20LM
- 2 Casambi App allows for commissioning and control: 0.1° Beam Angle resolution, Dimming & on/off, Wireless Smart Switches, Grouping Functions, Scenes and Animations, Timers, & iBeacon Technology.
- 3 Compatible with standard hardwired 0-10V controls. 2 separate controls required for Beam Angle and Dimming. Driver uses logarithmic dimming curve as standard. For linear dimming curve add "LIN" after dimming code, i.e. DIM10LIN.

SEOUL LED ORDERING CODE

SERIES	NU4											
TYPE	RD	round downlight										
LED	SW	static white (Seoul Semiconductor)										
DELIVERED LUMEN (3000K 80CRI)	07LM	600 lm										
	10LM	820 lm										
	13LM	1050 lm										
	20LM	1500 lm										
CCT	27K	2700K	CCT MULTIPLIER	2700K	3000K	3500K	4000K	5000K				
	30K	3000K		CRI								
	35K	3500K	80+	90+	80+	90+	80+	90+	80+	90+		
	40K	4000K	MULTIPLIER FOR LUMEN OUTPUT									
	40K	4000K	0.96	0.81	1.00	0.84	1.01	0.85	1.03	0.87	1.04	N/A
	50K	5000K										
CRI	80	80CRI										
	90	90CRI										
REFLECTOR	LV	Lens Vector Beam Control 10°-55° (available w/ Casambi or hardwired 0-10V)										
VOLTAGE	120 277	120V 277V										
CONTROLS	CAS ¹	Casambi BLE Control with Flicker Free 1% dimming										
	DIM10 ²	0-10V Beam Control + flicker free 0-10V dimming to 1% (no BLE control)										
	DIM10Z ²	0-10V Beam Control + flicker free 0-10V dimming to 0% (no BLE control)										
MOUNTING OPTIONS	NC	new construction with ceiling fitting plate										
	RET	retrofit, no ceiling fitting plate										
TRIM COLOR	WH	white										
	MC	matte chrome										
	BK	black										
	BZ	bronze										
	WT	wheat										
BEZEL COLOR	WH	white										
	MC	matte chrome										
	BK	black										
	BZ	bronze										
	WT	wheat										
ELECTRICAL OPTIONS	FOR 347V OPTION	order separate "347V to 277V" step down transformer p/n: P70489										

ORDERING CODE

Follow the steps to specify your fixture, example:
 NU4 - RD - SW - 13LM - 35K - 80 - LV - 120 - CAS - NC - WH - WH

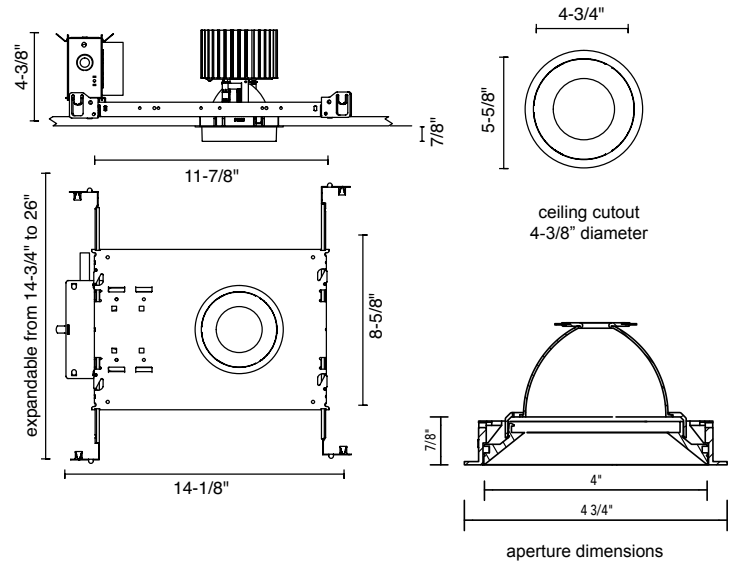
SEOUL LED	POWER	
	W (80/90CRI)	VA (80/90CRI)
600	9.2	9.9
820	11.9	12.7
1050	14.8	15.4
1500	21.5	22.2

NOTES

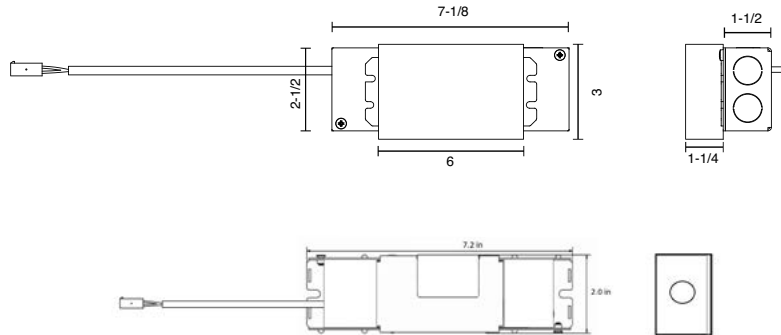
- Casambi App allows for commissioning and control: 0.1° Beam Angle resolution, Dimming & on/off, Wireless Smart Switches, Grouping Functions, Scenes and Animations, Timers, & iBeacon Technology.
- Compatible with standard hardwired 0-10V controls. 2 separate controls required for Beam Angle and Dimming. Driver uses logarithmic dimming curve as standard. For linear dimming curve add "LIN" after dimming code, i.e. DIM10LIN.

MOUNTING OPTIONS

NC - NEW CONSTRUCTION

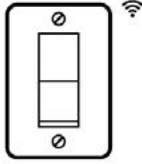
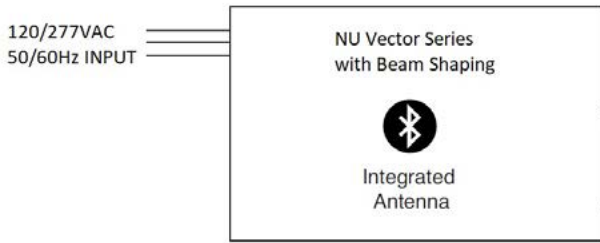


RET - RETROFIT



WIRING DIAGRAMS

“CAS” CASAMBI CONTROLS

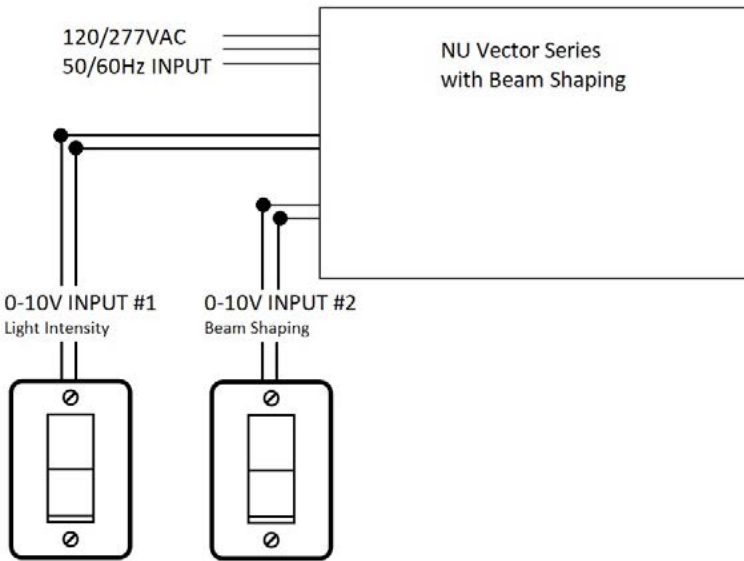


COMPATIBLE WIRELESS SWITCHES
Beam Shaping &
Light Intensity Control



CASAMBI APP (ios & android)
Wireless Commissioning,
Beam Shaping &
Light Intensity Control

“DIM10/DIM10Z” HARDWIRED 0-10V CONRTOLS



STANDARD 0-10V SWITCHES
(provided by others)