

JOB NAME _____

CONTACT _____

ORDERING CODE _____

XICATO LED ORDERING CODE



NU4RD VECTOR



DESCRIPTION

The NU4RD VECTOR 4" recessed downlight by ALPHABET offers Lens Vector beam shaping technology, premium performance, thoughtful construction and pleasing aesthetics. Allows for individual wireless control using Casambi, or optional hardwired 0-10V control. Offered standard with premium dimming using EldoLED 1% flicker free drivers in 120V, 277V, and 347V. A minimalistic look is achieved with an ultra thin 1/16" trim that is only 5/16" wide. Color choices of both Trim and Bezel for a customized look.

HOUSING

Electrocoated 16 gauge cold rolled steel provides enhanced structural reinforcement and rust prevention. Superior flame retardant UL certified injection molded commercial grade Lexan™ (PC) is used for the Frame and Regressed Bezel Trim. Lexan™ provides unmatched durability/impact resistance, 250°F thermal resistance, and is UL tested for UV resistance and water exposure in outdoor applications. Thermally advanced anodized heat sink using 6063 alloy. Wet location rated is offered standard.

MOUNTING

An advanced mounting system allows for quick and secure installation with LED and Driver serviceability from below the ceiling. The LED assembly uses two die cast aluminum Mounting Clamp Grips (MCG) that swing out to tighten onto variable ceiling thicknesses ranging from 1/8" to 1-5/8" thick. Integrated rubber feet on each MCG provide a non-slip vibration resistant installation. The hidden MCG system is accessible from below ceiling by removing the snap-in Lens/Bezel Assembly with either the included suction cup or a screwdriver blade. Integrated Bar Hangers feature integral toothed nails, T-bar mounting slots with locking holes, Tabs for joist positioning, and extendibility from 14-3/4" to 26". Retrofit mounting option allows for installation from below ceiling by use of compact driver box and Lens Vector Control box. Ceiling cutout size is 4-3/8" diameter.

LISTINGS

- ETLus Listed to UL1598, cETL Listed to CSA C22.2 #250.0
- Type Non-IC, Airtight ASTM Standard E283
- Suitable for damp locations
- Made in the USA – meets the requirements of the Buy American provision within the ARRA"

LED INFO

Xicato XTM09
- 83/98 CRI: SDCM = 1X2 MacAdam Ellipse, Duv +/- 0.001

SERIES	NU4	
TYPE	RD	round downlight
LED	XTM09	XTM 9mm (Xicato)
DELIVERED LUMEN (3000K 83CRI)	07LM 10LM 13LM 20LM	525 lm 750 lm 975 lm 1500 lm
CCT	27K 30K V30K 35K 40K	2700K 3000K 3000K VIBRANT 3500K 4000K
CRI	83 98 ¹	83CRI 98CRI
REFLECTOR	LV	Lens Vector Beam Control 10°-55° (available w/ Casambi or hardwired 0-10V)
VOLTAGE	120 277	120V 277V
CONTROLS	CAS ² DIM10 ³ DIM10Z ³	Casambi BLE Control with Flicker Free 1% dimming 0-10V Beam Control + flicker free 0-10V dimming to 1% (no BLE control) 0-10V Beam Control + flicker free 0-10V dimming to 0% (no BLE control)
MOUNTING OPTIONS	NC RET	new construction with ceiling fitting plate retrofit, no ceiling fitting plate
TRIM COLOR	WH MC BK BZ WT	white matte chrome black bronze wheat
BEZEL COLOR	WH MC BK BZ WT	white matte chrome black bronze wheat
ELECTRICAL OPTIONS	FOR 347V OPTION	order separate "347V to 277V" step down transformer p/n: P70489

ORDERING CODE _____

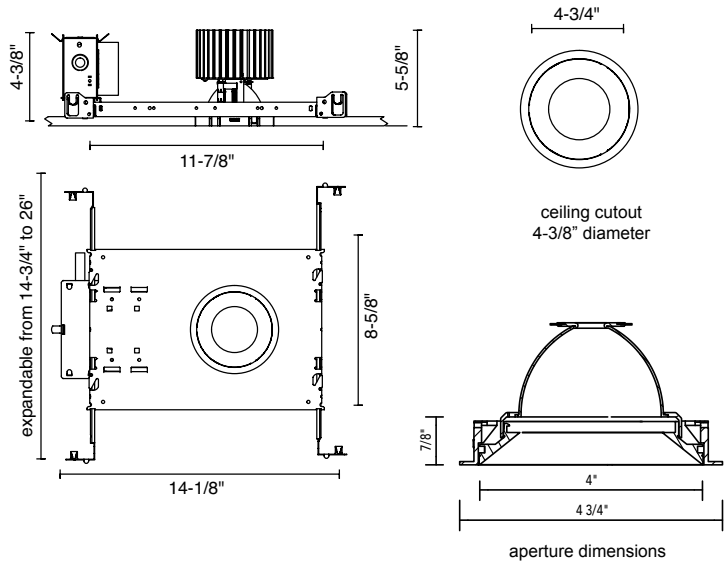
Follow the steps to specify your fixture, example:
NU4 - RD - XTM09 - 13LM - 35K - 83 - LV - 120 - CAS - NC - WH - WH

XTM09	POWER			
	DELIVERED LM	W (83CRI)	VA (83CRI)	W (98CRI)
525	10	11	12	13
750	15	16	21	23
975	19	21	30	32
1500	36	39	N/A	N/A

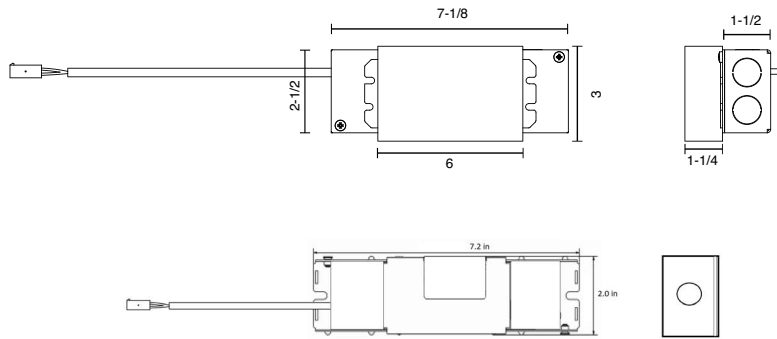
- NOTES**
- 1 98CRI not available in 20LM
 - 2 Casambi App allows for commissioning and control: 0.1° Beam Angle resolution, Dimming & on/off, Wireless Smart Switches, Grouping Functions, Scenes and Animations, Timers, & iBeacon Technology.
 - 3 Compatible with standard hardwired 0-10V controls. 2 separate controls required for Beam Angle and Dimming. Driver uses logarithmic dimming curve as standard. For linear dimming curve add "LIN" after dimming code, i.e. DIM10LIN.

MOUNTING OPTIONS

NC - NEW CONSTRUCTION

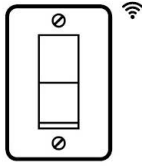
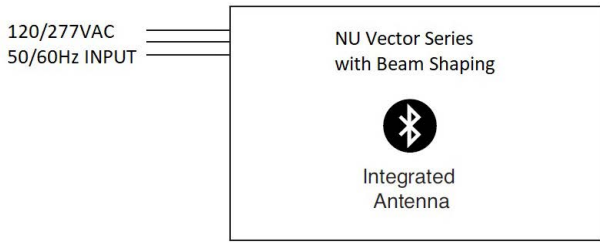


RET - RETROFIT



WIRING DIAGRAMS

“CAS” CASAMBI CONTROLS

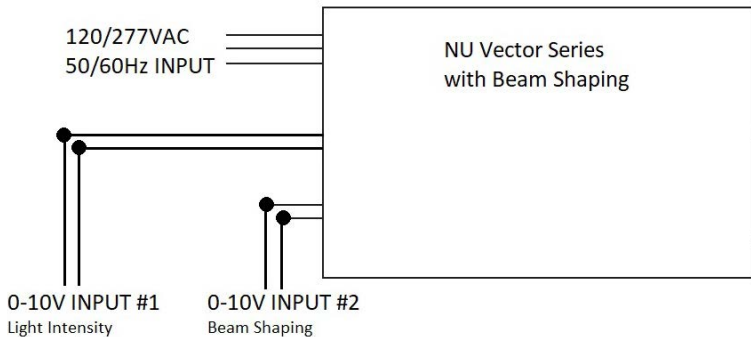


COMPATIBLE WIRELESS SWITCHES
Beam Shaping &
Light Intensity Control



CASAMBI™ APP (ios & android)
Wireless Commisioning,
Beam Shaping &
Light Intensity Control

“DIM10/DIM10Z” HARDWIRED 0-10V CONRTOLS



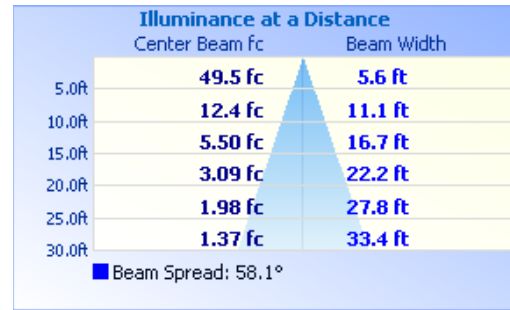
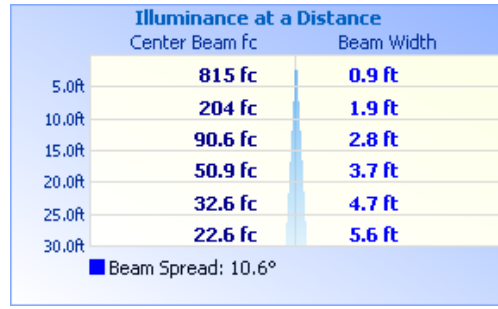
STANDARD 0-10V SWITCHES
(provided by others)

NOTES

1 Consult factory to order compatible wireless switches.

LENS VECTOR ILLUMINANCE + CBCP DATA

NU4-RD-XTM09-20LM-30K-83-LV-120-CAS-NC-WH-WH



CENTER BEAM CANDLE POWER CHART

