

JOB NAME _____

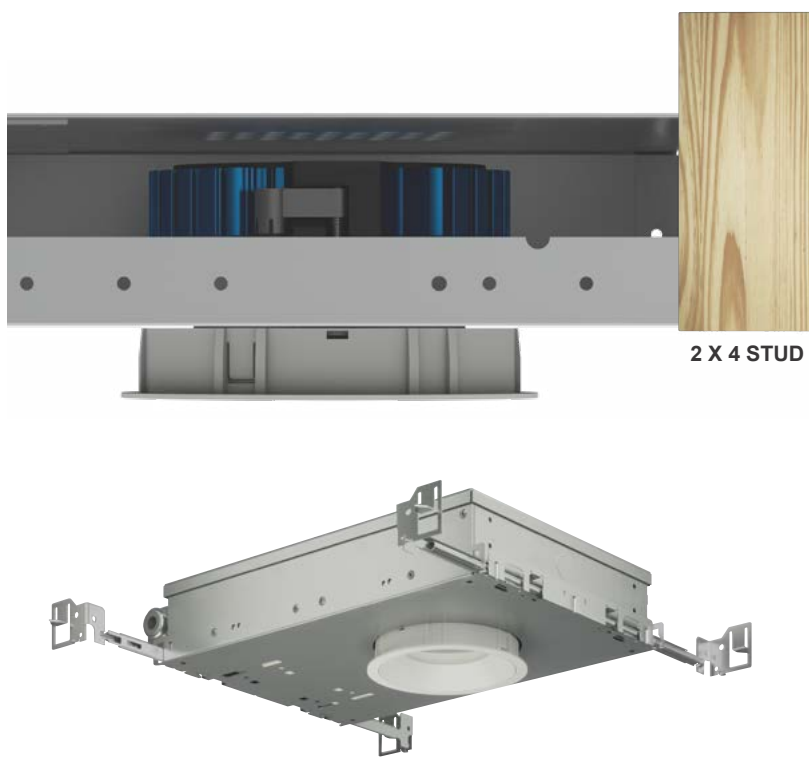
CONTACT _____

ORDERING CODE _____



LM-79

NU4RD STUD



2 X 4 STUD

ORDERING CODE		
SERIES	NU4	
TYPE	RDSTUD	round downlight
	RDSTUD	round downlight trimless
LED	SW	Standard White (Nichia 219C LED)
DELIVERED LUMENS¹	07LM	528 lm
	10LM	766 lm
	13LM	971 lm
	20LM ³	1496 lm
CCT	27K	2700K
	30K	3000K
	35K	3500K
	40K	4000K
CRI	80	80CRI
	90	90CRI
REFLECTOR	GH85	85° diffused lens (glare control high efficiency diffusion)
VOLTAGE	120	120V
	277	277V
DIMMING	DIM10 ²	standard driver with flicker free 0-10V dimming to 1% flicker free 0-10V dimming to 0% flicker free dali dimming to 1% flicker free dali dimming to 0% flicker free dmx dimming to 0% leading & trailing edge dimming (Triac/ELV)
	DIM10Z ²	
	DALI ²	
	DMXZ	
	ELV ⁴	
MOUNTING	NC ³	new construction housing insulation contact housing insulation contact/airtight housing Chicago plenum housing
	IC ³	
	ICAT ³	
	CP ⁵	
TRIM COLOR⁶	WH	white matte chrome black bronze wheat
	MC	
	BK	
	BZ	
	WT	
BEZEL COLOR	WH	white matte chrome black bronze wheat
	MC	
	BK	
	BZ	
	WT	

ORDERING CODE _____

Follow the steps to specify your fixture, example:
NU4 - RDSTUD - SW - 10LM - 35K - 90 - GH85 - 120 - DIM10 - NC - WH - WH

219C	POWER	
	W	VA
528	8.7	9.3
766	12.3	12.8
971	15.7	16.4
1496	26	26.5

DESCRIPTION

NU STUD is offered in 4" round or square as trimless or as micro-trim install. It is a mere 2-1/4" above the ceiling WITH an IC enclosure box and a 5/8" standard ceiling thickness (housing height is adjustable for ceiling thickness). With a generous 1" regress bezel trim and microstructure lens, STUD is aesthetically pleasing with trim color options.

HOUSING

Electrocoated 20 gauge cold rolled steel provides enhanced structural reinforcement and rust prevention. Superior flame retardant UL certified injection molded commercial grade Lexan™ (PC) is used for the Frame and Regressed Bezel Trim. Lexan™ provides unmatched durability/ impact resistance, 250°F thermal resistance, and is UL tested for UV resistance and water exposure in outdoor applications. Thermally advanced anodized heat sink using 6063 alloy. 90min constant power IOTA emergency battery backup available in several power options.

MOUNTING

An advanced mounting system allows for quick and secure installation with LED and Driver serviceability from below the ceiling. The LED assembly uses two die cast aluminum Mounting Clamp Grips (MCG) that swing out to tighten onto variable ceiling thicknesses ranging from 5/8" to 1-1/4" thick. Integrated rubber feet on each MCG provide a non-slip vibration resistant installation. The hidden MCG system is accessible from below ceiling by removing the snap-in Lens/Bezel Assembly with either the included suction cup or a screwdriver blade. Integrated Bar Hangers feature integral toothed nails, T-bar mounting slots with locking holes, Tabs for joist positioning, and extendibility form 14-3/4" to 26". Ceiling cutout size is 4-3/8" round.

LISTINGS

- ETLus Listed to UL1598, cETL Listed to CSA C22.2 #250.0
- Type Non-IC, IC, Airtight ASTM Standard E283
- IP65, Suitable for WET locations, non-conductive dead-front LEXAN™ construction
- Made in the USA – meets the requirements of the Buy American provision within the ARRA

LED INFO

- SDCM = 1X2 MacAdam Ellipse, DUV +/- 0.001

NOTES

- 1 Lumens shown are for 80CRI / 3000K CCT.
- 2 Driver uses logarithmic dimming curve as standard.
For linear dimming curve add "LIN" after dimming code, i.e. DIM10LIN.
- 3 IC rated at 07LM, 10LM, 13LM only. 20LM is rated NON-IC.
- 4 Triac/ELV dimmable to < 1%, available in 120V only.
- 5 ICAT and CP not available in 20LM.
- 6 Eliminate from catalog string when ordering Trimless option.

LED PERFORMANCE

- LED** Nichia 219C
- CCT** 2700K, 3000K, 3500K, 4000K
- SDCM** 2-Step MacAdam Ellipse
- CRI Ra** 80, 90 typical
- Life** L70 50,000 hrs.
- Warranty** 5 year fixture warranty

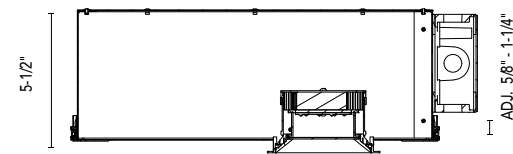
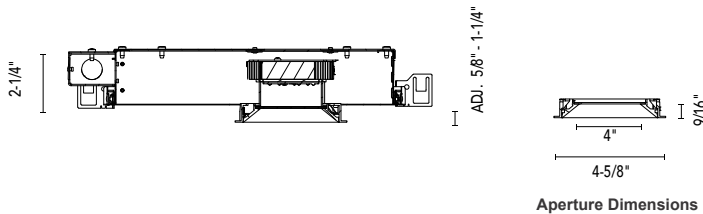
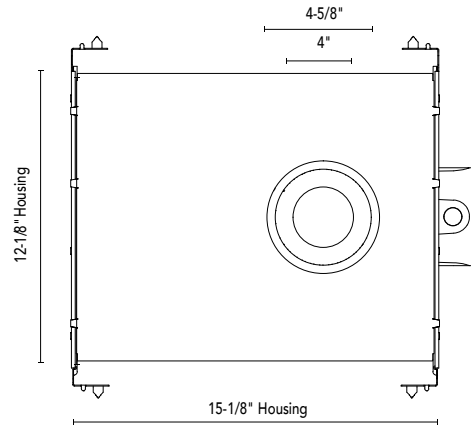
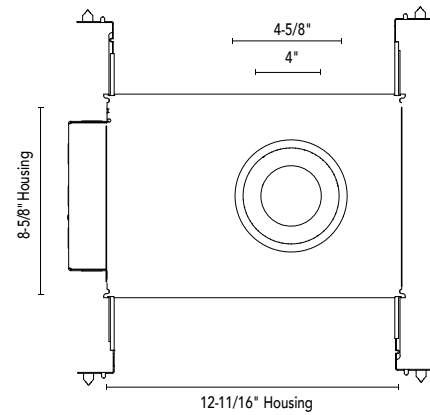
MOUNTING OPTIONS

**NC - NEW CONSTRUCTION
IC - INSULATION CONTACT**

- NC & IC ASTM E283 Air-Tight Requirements.
- Meets IC Requirement for 07LM, 10LM, 13LM Lumen Options.

**ICAT - INSULATION CONTACT/AIR TIGHT
CP - CHICAGO PLENUM**

- ICAT & CP are suitable for active air handling plenums, and meet ASTM E283 Air-Tight Requirements.
- CP meets City of Chicago Environmental Air Requirements.
- Not available in 20LM Lumen option.



TRIMLESS OPTION



1. Fasten mud frame to ceiling.

2. Insert protective cover (included).
Apply joint compound over the mud frame.

3. Install LED assembly.

4. Install bezel.