

Job Name:	Contact:
Ordering Code:	Fixture Type:

## NU4RD PRIME

### Description

The NU4RD PRIME 4" recessed downlight integrates the best LED technologies. Multiple beam spreads, finishes, mounting options and lumen packages allow for creative lighting solutions to illuminate architectural spaces.

### Housing

Aluminum die cast frame provides enhanced structural reinforcement to the LED assembly. Thermally advanced anodized heat sink using 6063 alloy. Wet location construction is offered. 90min constant power IOTA emergency battery backup available in several power options.

### Mounting System

An advanced mounting system allows for quick and secure installation with LED and Driver serviceability from below the ceiling. The LED assembly uses three die cast aluminum Mounting Clamp Grips (MCG) that swing out to tighten onto variable ceiling thicknesses ranging from 1/8" to 1-5/8" thick. Integrated rubber feet on each MCG provide a non-slip vibration resistant installation. The hidden MCG system is accessible from below ceiling by removing the Trim Ring and Reflector. Integrated Bar Hangers feature integral toothed nails, T-bar mounting slots with locking holes, Tabs for joist positioning, and extendibility from 14-3/4" to 26". Retrofit mounting option allows for installation from below ceiling by use of compact driver box. Ceiling cutout size is 4-3/4" round.

### Listings

- ETLus Listed to UL1598, cETL Listed to CSA C22.2 #250.0
- Type IC with IC, ICAT, or CP box options.
- Suitable for Dry and Damp locations.
- Suitable for Wet locations, IP65 (with lens option)
- Non-conductive, Lexan™ dead-front construction (with lens option)
- Made in the USA - meets the requirements of the Buy American provision within the ARRA.

### LED Info

- SDCM = 1X2 MacAdam Ellipse, DUV +/- 0.001



### Ordering Code

Follow the steps to specify your fixture, example: **621 - 4 - XTM19 - 13LM - 35K - 98 - DA40 - 120 - DIM10 - NC - CRO - EM7**

Series	Aperture	LED	Delivered Lumen	CCT	CRI	Reflector	Voltage	Dimming
621	4 4"	XTM19	07LM 595 lm	27K 2700K	83 83 CRI 98 <sup>1,2</sup> 98 CRI	DA20 diffuse, 20°	120 120V 277 277V	DIM10 <sup>4</sup> standard driver with flicker free 0-10V dimming to 1%
			10LM 850 lm	30K 3000K		DA40 diffuse, 40°		
			13LM 1105 lm	V30K 3000K Vibrant		DA60 diffuse, 60°		DIM10Z <sup>4</sup> flicker free 0-10V dimming to 0%
			20LM 1700 lm	35K 3500K		SA20 specular, 20°		DALI <sup>4</sup> flicker free dali dimming to 1%
			30LM 2550 lm	40K 4000K		SA40 specular, 40°		DALIZ <sup>4</sup> flicker free dali dimming to 0%
			40LM <sup>1</sup> 3400 lm	B27K <sup>2</sup> 2700K Beauty		SA60 specular, 60°		DMXZ flicker free dmx dimming to 0%
								LUDA lutron ecosystem dimming to 1%

#### Mounting Options

<b>NC</b>	New Construction with ceiling fitting plate, for T-bar or GWB Ceilings
<b>IC</b>	Insulating Contact Housing
<b>ICAT</b>	Insulating Contact/ Airtight Housing
<b>CP</b>	Chicago Plenum Housing
<b>RET</b>	Retrofit, no ceiling pan

#### LiteOptics

<b>4ZLR2</b>	zylinder 2"
<b>4ZLR4</b>	zylinder 4"
<b>POB</b>	pupil optic blue
<b>POW</b>	pupil optic white
<b>POP</b>	pupil optic perforated
<b>CRO</b>	corona ring
<b>CGS</b>	clear screen lens
<b>DFS</b>	diffused screen lens
<b>CFP</b>	etched float acrylic perforated
<b>CFS</b>	etched float acrylic

#### Options

<b>WET</b>	wet location rated
<b>EM7</b>	emergency battery backup, 90 minutes at 7 watts to LED emergency battery
<b>EM12<sup>2</sup></b>	backup, 90 minutes at 12 watts to LED
<b>FOR 347V</b>	order separate "347V to 277V" step down transformer p/n: P70489
<b>OPTION</b>	

#### Notes

- 98 CRI not available for 40LM.
- B27K Beauty Series choose 98 CRI (actual 93). Available for 07LM, 10LM, 13LM, and 20LM only.
- EM12 not available for 83CRI and 07LM, 10LM, 13LM.
- Driver uses logarithmic dimming curve as standard. For linear dimming curve add "LIN" after dimming code, i.e. DIM10LIN.

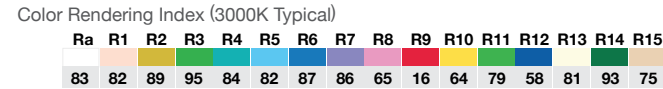
Job Name:	Contact:
Ordering Code:	Fixture Type:

## Xicato Series LED Performance

**SDCM** 1 x 2 MacAdam Ellipse  
**DUV** +/- 0.001  
**Life** L80 50,000 hrs.  
**Warranty** 5 year "no color shift" warranty  
 5 year fixture warranty

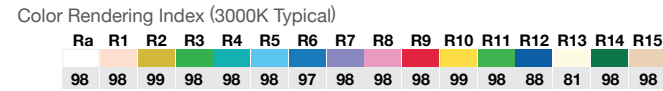
### Standard Series

**LED** Patented Cold Remote Phosphor, Xicato® XTM19 Standard Series  
**CCT** 2700k, 3000k, 3500k, 4000k  
**CRI Ra** 83 typical  
**GAI<sub>BB</sub>** 97



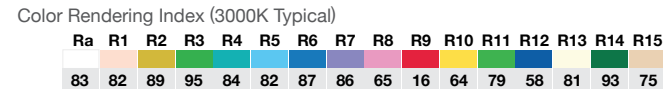
### Artist Series

**LED** Patented Cold Remote Phosphor, Xicato® XTM19 Artist Series  
**CCT** 2700k, 3000k, 3500k, 4000k  
**CRI Ra** 98 typical  
**GAI<sub>BB</sub>** 109



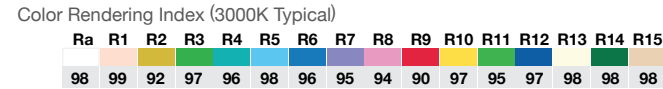
### Vibrant Series (V80)

**LED** Patented Cold Remote Phosphor, Xicato® XTM19 Vibrant Series (V80)  
**CCT** 3000k  
**CRI Ra** 83 typical  
**GAI<sub>BB</sub>** 111



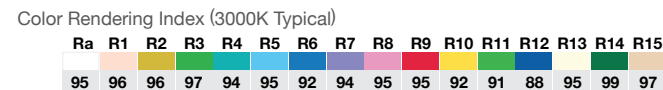
### Vibrant Series (V95)

**LED** Patented Cold Remote Phosphor, Xicato® XTM19 Vibrant Series (V95)  
**CCT** 3000k  
**CRI Ra** 98 typical  
**GAI<sub>BB</sub>** 120



### Beauty Series

**LED** Patented Cold Remote Phosphor, Xicato® XTM19 Beauty Series  
**CCT** 2700k  
**CRI Ra** 95 typical  
**GAI<sub>BB</sub>** 133



## Delivered Lumen / Wattage Chart

Source Lumens	Delivered Lumens	Fixture Wattage
700 lm	595 lm	9 W
1000 lm	850 lm	12 W
1300 lm	1105 lm	16 W
2000 lm	1700 lm	25 W
3000 lm	2550 lm	37 W
4000 lm	3400 lm	49 W

Source Lumens	Delivered Lumens	Fixture Wattage
700 lm	595 lm	11 W
1000 lm	850 lm	15 W
1300 lm	1105 lm	21 W
2000 lm	1700 lm	33 W
3000 lm	2550 lm	42 W

Source Lumens	Delivered Lumens	Fixture Wattage
700 lm	595 lm	9 W
1000 lm	850 lm	12 W
1300 lm	1105 lm	16 W
2000 lm	1700 lm	25 W
3000 lm	2550 lm	37 W
4000 lm	3400 lm	49 W

Source Lumens	Delivered Lumens	Fixture Wattage
700 lm	595 lm	11 W
1000 lm	850 lm	15 W
1300 lm	1105 lm	21 W
2000 lm	1700 lm	33 W
3000 lm	2550 lm	42 W

Source Lumens	Delivered Lumens	Fixture Wattage
1300 lm	1105 lm	21 W
2000 lm	1700 lm	33 W

### Notes

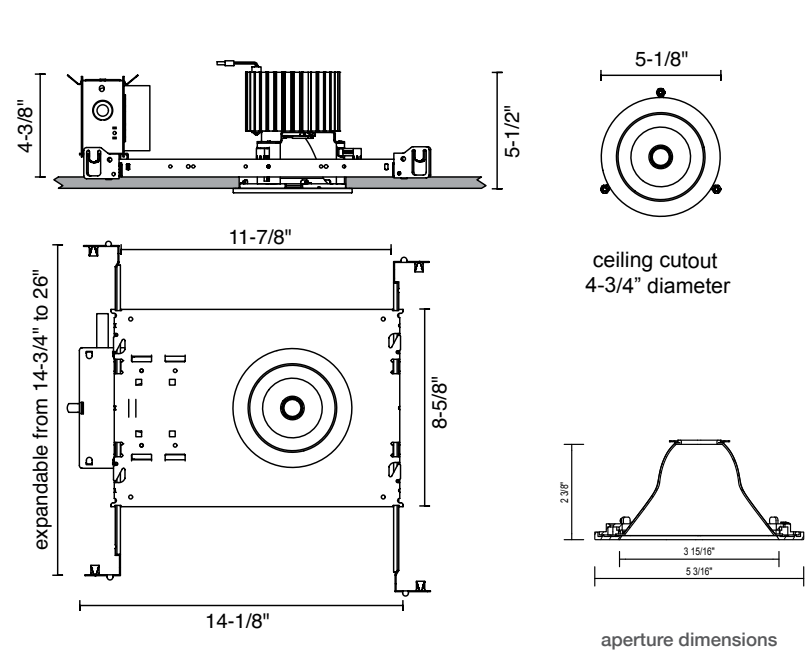
Values presented are average. Due to installation location and environment, end use performance may vary. Refer to IES file for specific values.

Job Name:	Contact:
Ordering Code:	Fixture Type:

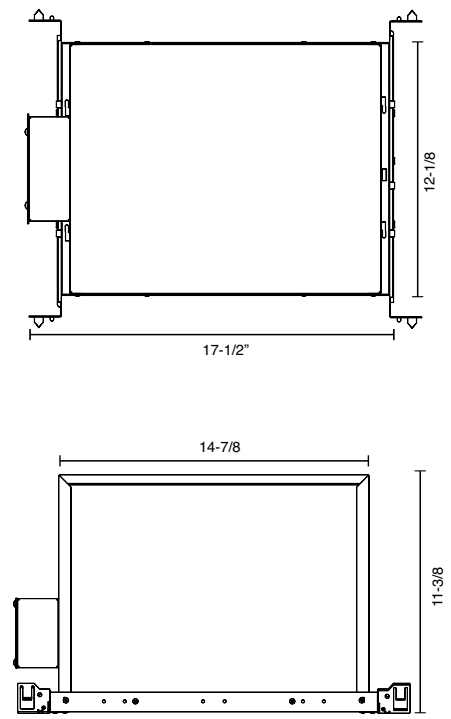
**Mounting Options**

- NC** New Construction with ceiling fitting plate, for T-bar or GWB Ceilings
- IC<sup>1,3</sup>** Insulating Contact Housing
- ICAT<sup>1</sup>** Insulating Contact/ Airtight Housing
- CP<sup>1</sup>** Chicago Plenum Housing
- RET<sup>2</sup>** Retrofit, no ceiling pan

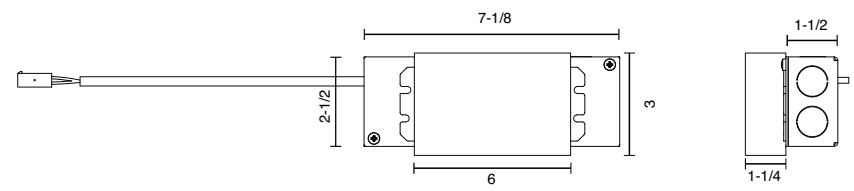
**NC - NEW CONSTRUCTION**



**IC - INSULATION CONTACT HOUSING  
CP - CHICAGO PLENUM  
ICAT - INSULATION CONTACT / AIR TIGHT**



**RET - RETROFIT**



**Notes**

1. IC/ICAT/CP not available for 98CRI in 30LM or 83/98CRI in 40LM.
2. Plenum Clearance - 8". Adequate plenum clearance is recommended when no above ceiling access is available for the installation or servicing of the driver box.
3. Consult factory for smaller IC Housings when selecting lower lumen packages..

Job Name:	Contact:
Ordering Code:	Fixture Type:

**Lite Optic Options**

- 4ZLR2** zylinder 2"
- 4ZLR4** zylinder 4"
- POB** pupil optic blue
- POW** pupil optic white
- POP** pupil optic perforated
- CRO** corona ring
- DFS** diffused screen lens
- CGS** clear screen lens
- CFP** etched float acrylic perforated
- CFS** etched float acrylic

